

SUBMITTAL DATA



500 Series Drive-Thru Service Window Air Curtain



PROJECT:	
ENGINEER:	
CONTRACTOR:	
DISTRIBUTOR:	
SchwankAir MODEL #:	524EH 532EH
APPROVED BY:	
DATE:	
APPROVAL #:	

NOTE:

Schwank reserves the right to make changes to equipment and specifications due to revision in standards or to provide product improvement without obligation of notification.

This publication, or parts thereof, may not be reproduced in any form, without prior written consent from Schwank. Unauthorized use or distribution of this publication is strictly prohibited.

Schwank
2 Schwank Way
Waynesboro, Georgia,
USA, 30830

5285 Bradco Boulevard,
Mississauga, Ontario,
L4W 2A6

Customer and Technical Services
Phone: 1-877-446-3727
Fax : 1-866-361-0523
e-mail: csr@schwankgroup.com
www.schwankgroup.com



Conforms to:
CAN CSA-C22.2 no.46-13
& UL 2021(Ed.3): 2013

The SchwankAir 500 Series air curtain is intended for indoor mounting at drive-thru service windows. The unit can be mounted up to 90 inches [2.3m] above the floor.

The 500 Series air curtain is designed for quiet operation and energy savings by effectively separating indoor and outdoor environments by restricting entry of unconditioned air, dust, fumes, and insects.

SchwankAir 500 Series Features:

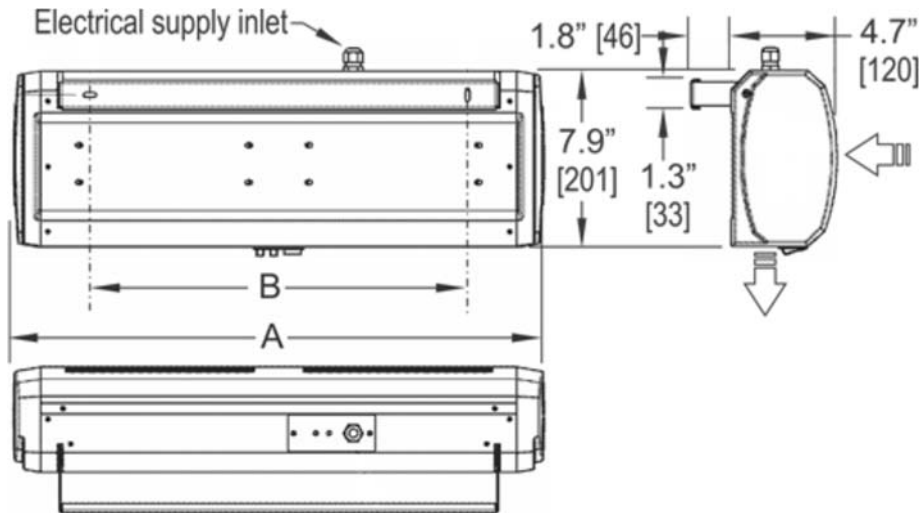
- All models are constructed of prefinished sheet steel in off-white color (RAL 9010)
- Two available widths:
 - Model 524EH: 23.6 inches [600 mm]
 - Model 532EH: 31.5 inches [800 mm]
- 208Vac / 60 hZ / single phase
- Two electric heat setting each model:
 - Model 524EH: 1.12 / 2.25 kW
 - Model 532EH: 2.25 / 4.50 kW
- Convenient On/Off, Low / Hi heat buttons on unit
- Angle mounting base and mounting brackets
- Stack units side-by-side for wider openings
- One year warranty

Tested and Certified by Labtest to:

- CAN/CSA C22.2 no. 46-13
- UL 2021(Ed.3): 2013



SchwankAir 500 Series Air Curtain Dimensions & Performance Ratings:



Project Qty	Model	A Inches [mm]	B Inches [mm]	208V Electrical Input (W)	Amps	Weight lb [kg]	208V Heat Output (kW)	Max. Air Velocity ft/sec [m/s]	Max. Air Volume cfm [m³/h]	dB(A) @10ft [3m]
	524EH	23.6 [600]	16.7 [425]	2360	12	10 [4.5]	1.125 / 2.25	19.7 [6.0]	118 [200]	46.5
	532EH	31.5 [800]	24.6 [625]	4630	25	12 [5.5]	2.25 / 4.50	26.2 [8.0]	218 [370]	56.0