



REPLACEMENT PARTS LIST
GAS FIRED TUBE HEATER SERIES:

SPW-JZ
STW-JZ & -JZ-2

IWP
IW & IW-2

LOW INTENSITY TUBE TYPE INFRA RED HEATER
FOR CAR WASH AND OUTDOOR APPLICATIONS

NOTICE:

The manufacturer reserves the right to make changes to equipment and specifications without obligation of notification.

This publication or parts thereof may not be reproduced in any form without prior written consent from the manufacturer. Unauthorized use or distribution of this publication is strictly prohibited.

Schwank Group

5285 Bradco Blvd.
Mississauga, Ontario L4W 2A6

PO Box 988, 2 Schwank Way
Waynesboro, GA 30830

Customer & Technical Services:

1-877-446-3727

Fax: 1-866-361-0523

csr@schwankgroup.com

Schwank and InfraSave brand products

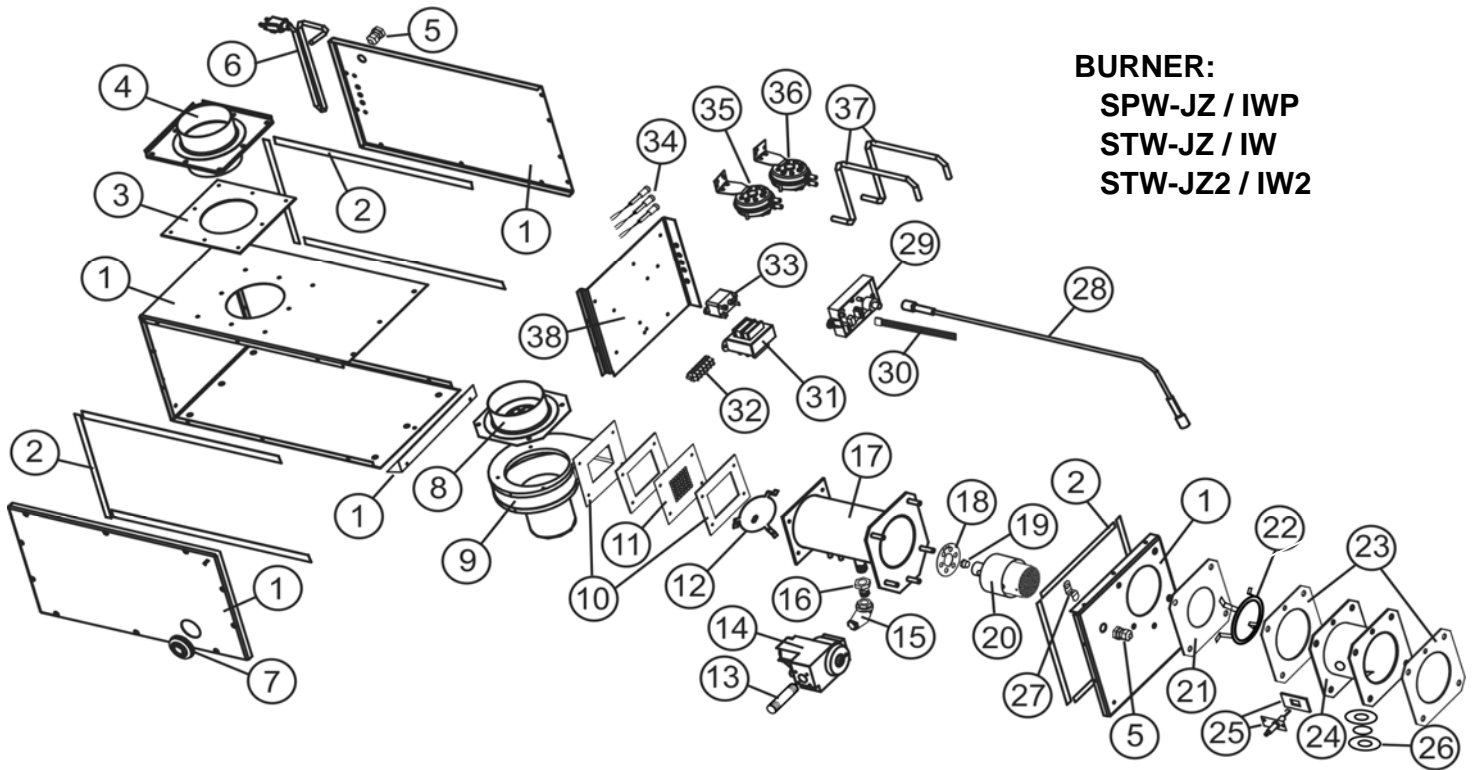
www.SchwankGroup.com

www.InfraSave.com



FOR YOUR SAFETY:

This heater must only be serviced by a trained gas service technician.
Failure to comply could result in personal injury, death, fire and/or property damage.



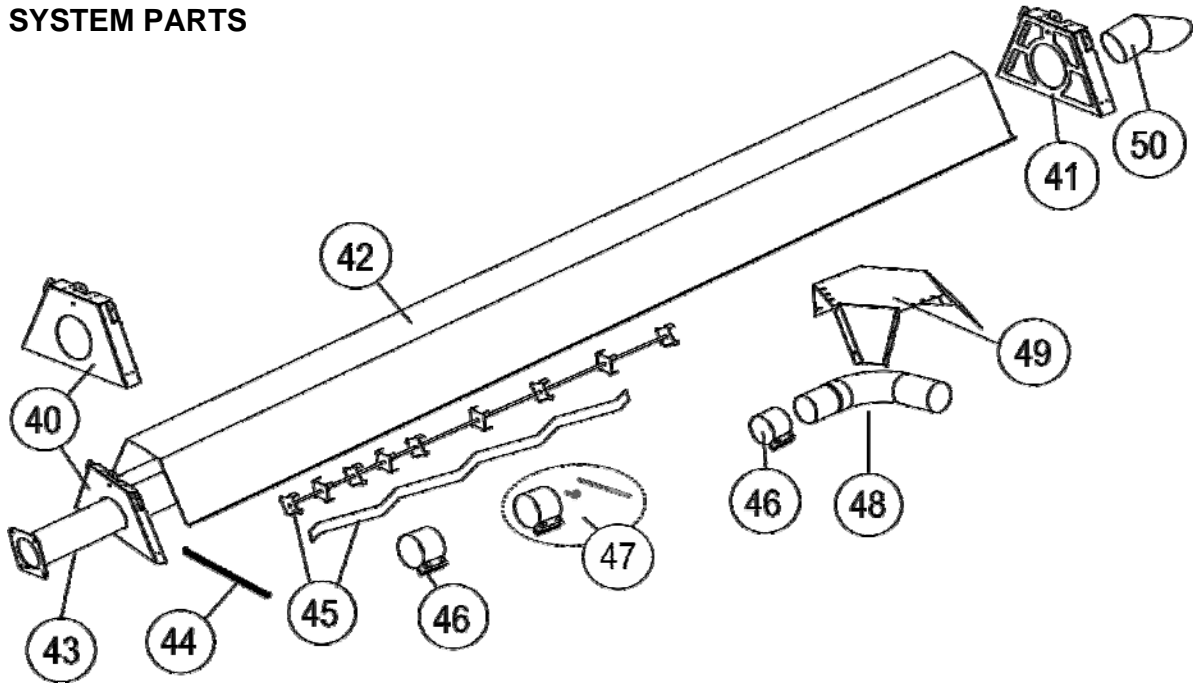
BURNER:
SPW-JZ / IWP
STW-JZ / IW
STW-JZ2 / IW2

#	PART DESCRIPTION	INPUT (Mbh)	MODEL DASH #/ GAS TYPE	PART #	PART DESCRIPTION PRIMARY
1	BURNER HOUSING	ALL	STW-JZ(2) / IW(2)	JS-0582-WP	Burner housing harsh environment
		ALL	SPW-JZ / IWP	JS-0582-WP-P	Powder coated burner housing wet environments
2	BURNER HOUSING GASKET SET	ALL		JS-0591-WP	Housing gasket set
3	AIR INTAKE GASKET	ALL		JS-0601-WP	Air intake gasket (Each)
4	COMBUSTION AIR CONNECTION	ALL		JS-0583-15	4 inch Combustion air Connection
5	SEALTIGHT CONNECTOR	ALL		JP-2036-XX	Cord connector - liquid tight
6	ELECTRICAL CORD	ALL		JB-0567-XX	Electrical cord
7	WATERPROOF GROMMET	ALL		JP-2101-XX	Water proof gas pipe grommet
8	BLOWER COMBUSTION AIR INLET	45	NG	JS-0594-SC	Blower Restrictor Ring c/w Flange
		45	LP	JS-0594-ST	Blower Restrictor Ring c/w Flange
		60		JS-0594-ST	Blower Restrictor Ring c/w Flange
		80		JS-0595-SP	Blower Restrictor Ring c/w Flange
		80	-B	JS-0594-SC	Blower Restrictor Ring c/w Flange
		110	-B	JS-0595-AE	Blower Restrictor Ring c/w Flange
9	BLOWER ASSEMBLY	110-200		JS-0595-AA	Blower Restrictor Ring c/w Flange
		45-175		JS-0579-AA	Blower Assembly 1/35 HP - 45 to 175
		200		JS-0579-ZZ	Blower Assembly 1/20 HP - 200,000
10	BLOWER GASKET	ALL		JS-0578-XX	Outlet blower gasket (Each)
11	EQUALIZER PLATE	45	-X1; LP	JS-0593-XL	Outlet equalizer plate - 29 Holes
		45	-X1; NG	JS-0593-NG	Outlet equalizer plate - 25 Holes
		60-155	NG	JS-0593-XX	Outlet equalizer plate
		60-155	LP	JS-0593-XX	Outlet equalizer plate
		175	LP	JS-0593-XZ	Outlet equalizer plate
12	AIR RESTRICTOR	175-200	NG; 200 LP	JS-0593-XX	Outlet equalizer plate
		45	-X1	JS-0592-AR	Burner air restrictor (45-X1)
13	4" NIPPLE	ALL		JS-0590-GA	4" nipple

#	PART DESCRIPTION	INPUT (Mbh)	MODEL DASH #/ GAS TYPE	PART #	PART DESCRIPTION PRIMARY
14	GAS VALVE	45-155	NG	JL-0701-AA	Comb. Gas Valve 3.5" W.C. NG - 24VAC
		45-155	LP	JL-0703-AA	Comb. Gas Valve 10" W.C LP - 24VAC
		175-200	NG	JA-0506-XX	Slow Open Gas Valve 3.5" WC NG - 24Vac
		175-200	LP	JA-0507-XX	Slow Open Gas Valve 10" WC LP - 24Vac
15	90 DEGREE ELBOW FITTING 1/2"	ALL		JS-0588-XX	90 degree street elbow fitting
16	MANIFOLD BUSHING	ALL		JS-0589-XX	Manifold bushing
17	OUTER BURNER CHAMBER	ALL	STW-JZ(2) / IW(2)	JS-0504-WP	Outer burner chamber stainless steel
		ALL	SPW-JZ / IWP	JS-0504-XX	Outer burner chamber epoxy coat
18	BURNER CUP AIR RESTRICTOR RING	45	NG; LP	JS-0596-AA	Burner Cup air restr ring 9/32"
		60	LP	JS-0596-XX	Burner Cup air rest ring 0.375
		60-175	NG	JS-0596-XX	Burner Cup air rest ring 0.375
		80-155	LP	JS-0597-XX	Burner head air rest. ring .500
		175	-S; LP	JS-0597-XY	Burner Cup air rest ring 175-S LP
		200	-S; LP	JS-0597-YE	Burner Cup air rest ring 200-S LP
		200	-S; NG	JS-0597-YY	Burner Cup air rest ring 200-S NG
		19	MAIN BURNER ORIFICE	45	LP
		45	NG	JS-0730-DM	Gas orifice low intensity HR 30 DMS
		60	LP	JS-0742-DM	Gas orifice low intensity HTR 42 DMS
		60	NG	JS-0725-DM	Gas orifice low intensity HTR 25 DMS
		80	LP	JS-0736-DM	Gas orifice low intensity HTR 36 DMS
		80	NG	JS-0718-DM	Gas orifice low intensity HTR 18 DMS
		110	LP	JS-0731-DM	Gas orifice low intensity HTR 31 DMS
		110	NG	JS-0752-MM	Gas orifice low intensity HTR 5.2 mm
		130	LP	JS-0729-DM	Gas orifice low intensity HTR 29 DMS
		130	NG	JS-0758-MM	Gas orifice low intensity HTR 5.8 mm
		155	LP	JS-0714-IN	Gas orifice low intensity HTR 9/64 inch
		155	NG	JS-0725-IN	Gas orifice low intensity HTR 1/4 inch
		175	LP	JS-0724-DM	Gas orifice low intensity HTR 24 DMS
		175	NG	JS-0767-MM	Gas orifice low intensity HTR 6.7 mm
		200	LP	JS-0719-DM	Gas orifice low intensity HTR 19 DMS
		200	NG	JS-0730-IN	Gas orifice low intensity HTR 19/64 inch
20	BURNER CUP	45	NG; LP	JS-0510-LP-45	Burner Cup w/ Center Hole
		60-80	NG; LP	JS-0510-LP	Burner Cup
		110-155	NG; LP	JS-0512-XX	Burner Cup
		175	NG	JS-0512-XX	Burner Cup
		175	LP	JS-0512-UL	Burner Cup - Cast Aluminum - No Hole
		200	NG; LP	JS-0512-UL	Burner Cup - Cast Aluminum - No Hole
21	FLAME RECTIFICATION PLATE	175	-S LP	JS-0591-XY	Flame Rectifier Plate 175-S LP
22	FLAME RECTIFICATION	110, 130	-FB	JS-0592-RT	Flame Rectifier 110, 130 -FB Models
		200	LP	JS-0592-RX	Flame Rectifier 200-S LP
23	FLANGE GASKET	ALL		JS-0591-XX	Flange gasket (Each)
24	FLANGE ADAPTER	ALL	SPW-JZ	JS-0501-PW	4" flanged adapter - Painted
		ALL	STW-JZ	JS-0500-ZZ	4" flanged adapter - Stainless Steel
25	IGNITER KIT	ALL		JA-0571-KT	Igniter & gasket kit / DSI tube heater
26	SIGHT GLASS ASSEMBLY	ALL	SPW-JZ	JS-0536-XX	Sight glass assembly - painted
		ALL	STW-JZ	JS-0536-SK	Sight glass assembly - stainless steel
27	BURNER STABILIZING BRACKET	ALL		JS-0583-05	Burner suspension bracket

#	PART DESCRIPTION	INPUT (Mbh)	MODEL DASH #/ GAS TYPE	PART #	PART DESCRIPTION PRIMARY
28	IGNITION CABLE	ALL		JS-0518-SA	Hi voltage wire (24") STW - 2 x 1/4" Spades
29	IGNITION CONTROL	ALL		JB-0568-AA	Control - DSI 3 Try potted Gasliter 50N
30	IGNITION CONTROL WIRING HARNESS	ALL		JB-0568-WH	Potted DSI control wiring harness
31	STEP DOWN TRANSFORMER	ALL		JA-0775-XX	Transformer 120/24V, 20VA AT120B1028
32	TERMINAL BLOCK	ALL		JM-0455-DD	Terminal block
33	24V/120V RELAY SWITCH	ALL		JS-0568-CC	24V/120V Relay Switch
34	INDICATOR LAMPS	ALL		JW-0519-AM	Amber indicator light
		ALL		JW-0519-GR	Green indicator light
		ALL		JW-0519-RE	Red indicator light
35	COMBUSTION AIR PROVING SWITCH	45	-C; -UH	JS-0576-XX	Air proving Switch 0.48" WC
	"Normally Open" Switch	45	-X1	JS-0576-AA	Air proving Switch 0.85" WC
		60		JS-0576-YY	Air proving Switch 0.30" WC
		80		JS-0576-XX	Air proving Switch 0.48" WC
		110		JS-0575-YY	Air proving Switch 0.65" WC
		110	-B	JS-0575-ZB	Air proving Switch 0.90" WC
		130		JS-0575-YY	Air proving Switch 0.65" WC
		130	-B	JS-0576-UL	Air proving Switch 1.10" WC
		155		JS-0575-YY	Air proving Switch 0.65" WC
		155	-A	JS-0575-UG	Air proving Switch 1.00" WC
		175	-S; NG	JS-0576-AA	Air proving Switch 0.85" WC
		175	-S; LP	JS-0576-XY	Air proving Switch 1.15" WC
		200	-S	JS-0575-ZA	Air proving Switch 1.40" WC
36	BLOCKED FLUE PRESSURE SWITCH	45	-X1	JS-0577-YY	Blocked flue switch 0.90" WC
	"Normally Closed" Switch	45	-C; -UH	JS-0577-ZZ	Blocked flue switch 1.41" WC
		60	NG; LP	JS-0577-SS	Blocked flue switch 0.58" WC
		110	-B	JS-0578-UL	Blocked flue switch 1.03" WC
		130	-B	JS-0577-XZ	Blocked flue switch 1.25" WC
		80-155	NG; LP	JS-0577-YY	Blocked flue switch 0.90" WC
		175	-S; NG	JS-0577-ZZ	Blocked flue switch 1.41" WC
		175	-S; LP	JS-0577-XY	Blocked flue switch 1.20" WC
		200	-S; NG	JS-0577-UW	Blocked flue switch 1.33" WC
		200	-S; LP	JS-0578-BB	Blocked flue switch 1.50" WC
37	PRESSURE SWITCH TUBING	ALL		JS-0572-SE	P.V.C. tubing set (2 x 20")
38	COMPONENT PLATE	ALL		JS-0583-41	Component Mounting Plate
	WIRING KIT Low Voltage (not shown)	ALL		JW-WXXX-HX	Wiring kit w/ Harness - harsh environment

TUBE SYSTEM PARTS



#	PART DESCRIPTION	INPUT (Mbh)	MODEL DASH #/ GAS TYPE	PART #	PART DESCRIPTION PRIMARY
40	PLATE HANGER: Aluminized Steel			JS-0506-JZ	Aluminized end plate hanger
	Stainless Steel		STW-JZ2, IW2	JS-0506-SZ	Stainless Steel end plate hanger
41	WEBBED HANGER: Aluminized Steel			JS-0505-JZ	Webbed Hanger - Aluminized Steel
	Stainless Steel			JS-0505-SZ	Webbed Hanger - Stainless Steel
42	REFLECTOR: Aluminized Steel			JS-0502-JZ	Reflector 24" x 116" - Aluminized Steel
	Stainless Steel		STW-JZ2, IW2	JS-0502-ST-S	Reflector 24" x 116" - Stainless Steel
43	LOW INTENSITY TUBE:	45-155		JA-0501-SW-P	Aluminized tube,flang,swage, no ports
		175-200		JA-0500-SW-P	Stainless Steel tube,flange,swage, no ports
		45-200		JS-0511-SW-P	Painted aluminized tube swaged
		45-200	STW-JZ2, IW2	JS-0500-SW	Stainless Steel tube swaged
44	REFLECTOR BRACE: Aluminized Steel			JS-0506-RB	Reflector brace - Aluminized Steel
	Stainless Steel			JS-0506-SB	Reflector brace - Stainless Steel
45	TURBULATOR <i>(see Table in STW-JZ I&O Manual)</i>	45-80	20 ft	JS-0533-SH	Turbulator 4' Aluminized Steel
		45-80	20 ft	JS-0533-LG	Turbulator 10' Aluminized Steel
		60-80	30 ft	JS-0533-SL	Turbulator 8 ft stainless steel
		110-125	-B; 30 ft	JS-0533-SS	Turbulator 5 ft stainless steel
		110-125	-B; 30 ft	JS-0533-SL	Turbulator 8 ft stainless steel
		80-150	-B; 40 ft	JS-0533-UA	Turbulator 2' Aluminized Steel
		110-150	-B; 50 ft	JS-0533-UA	Turbulator 2' Aluminized Steel
		175	60-70 ft	JS-0533-SH	Turbulator 4' Aluminized Steel
		175-200	50 ft	JS-0533-LG	Turbulator 10' Aluminized Steel
46	COUPLER			JA-0516-SW	4" swaged tube coupler torctite
		175-200	1st & 2nd Joints	JA-0516-RK	Coupler 4" with 1/4" Rivet & Drill Bit
48	90° ELBOW 4": Aluminized Steel			JA-0508-SW	90 degree elbow - Aluminized Steel
	Stainless Steel		STW-JZ2, IW2	JA-0508-SS	90 degree elbow - Stainless Steel
49	90° ELBOW REFLECTOR: Alum'd Steel	ALL		JS-0503-US	Reflector Cap for 90° Elbow - Aluminized Steel
	Stainless Steel		STW-JZ2, IW2	JS-0503-SZ	Reflector Cap for 90° Elbow - Stainless Steel
50	HORIZONTAL VENT TERMINATION		OPTIONAL	JA-0528-XX	4" horizontal wall vent terminal