

INSTALLATION / OWNER'S MANUAL



Member of the International Schwank Group,
Companies in: Germany, Netherlands, France, United Kingdom, Austria, Belgium, United States and Canada.
Licensees Worldwide.

NOTICE:

The Manufacturer reserves the right to make changes to equipment and specifications without obligation or notification.

This publication, or parts thereof, may not be reproduced in any form, without prior written consent from The Manufacturer. Unauthorized use or distribution of this publication is strictly prohibited.

*Schwank Group
5285 Bradco Boulevard
Mississauga, Ontario,
L4W 2A6
Phone: (905) 712-4766
Fax: (905) 712-8336
1-866-361-0417*

*InfraSave
Mississauga, Ontario,
Waynesboro, Georgia,
Phone: 1-866-INFRA SV (463-7278)
Fax: 1-866-724-9265
<http://www.infrasave.com>
e-mail: info@infrasave.com*

*PO Box 988, 2 Schwank Way
Waynesboro, Georgia,
USA 30830
Phone: (706) 554-6191
Fax: (706) 554 9390
1-877-446-3727*

e-mail: info@schwankgroup.com

<http://www.schwankgroup.com>

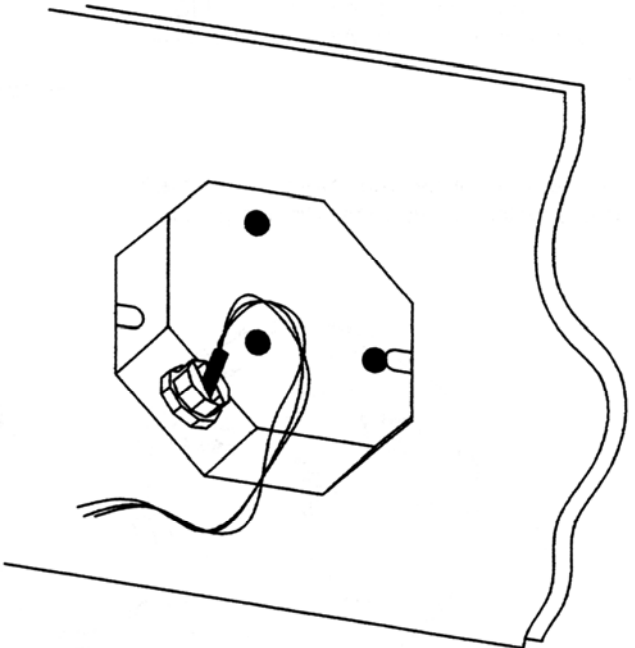
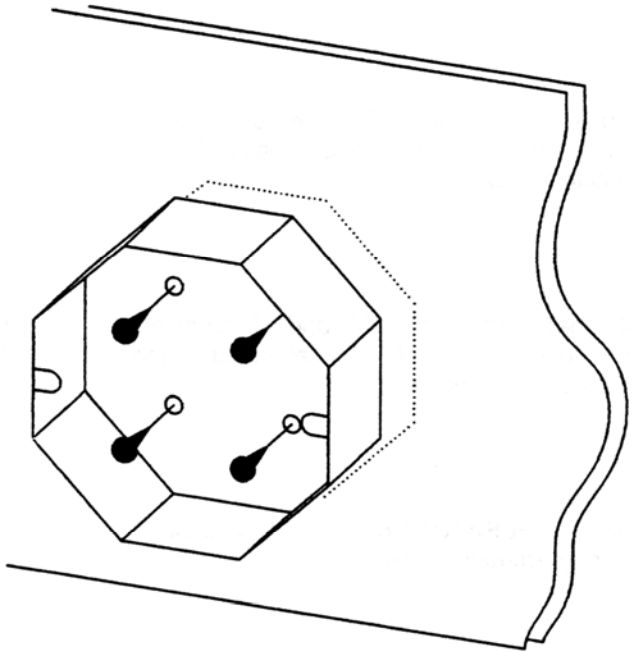
1. Control should be located away from direct radiant heat (also consider other sources of radiant heat such as sunlight, machinery, etc.). However the control should be able to 'see' the same conditions that the occupants will be experience.

2. Install a 4" octagon or a 4" pancake electrical box where control will be located (strongly recommended but not required). Position fixture mounting screws of electrical box horizontally.

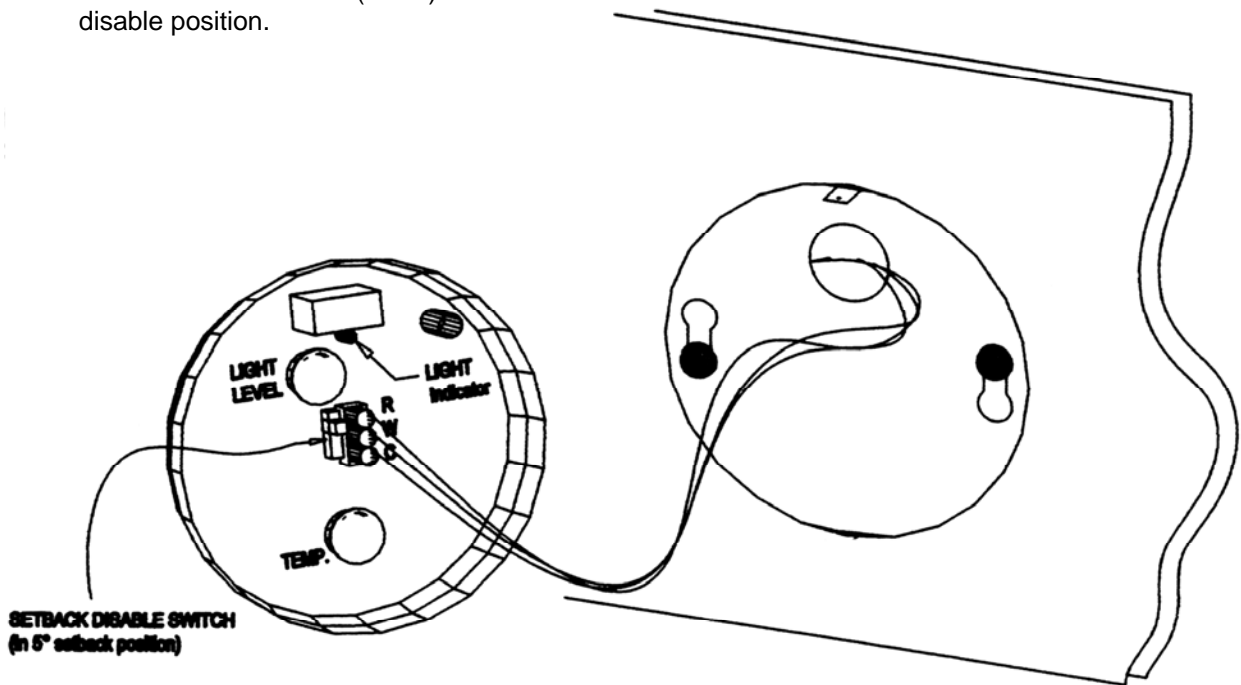
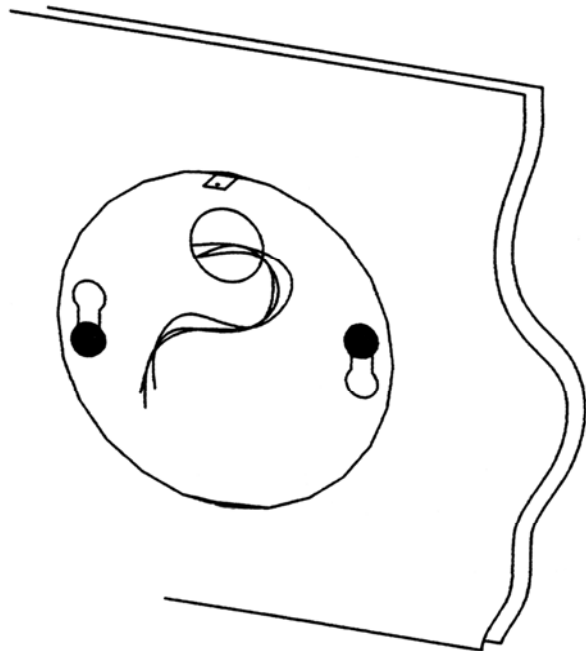
3. Run 18/3 thermostat cable from the heater relay to the electrical box. For cable runs over 50' use 16/3 cable. For cable runs over 100' use 14/3 cable. Call factory for any cable runs 150' or over. See wiring diagrams for appropriate installation.

4. Connect cable to electrical box leaving 8" of cable hanging out.

5. Strip outer sheathing off the 8" of cable protruding from box.



6. Insert cable through cable opening in TruTemp back plate. Attach back plate to electrical box.
8. Connect leads to 'R', 'W', and 'C' terminals on TruTemp control. See attached wiring diagrams for details.
9. Set TEMPERATURE dial to the level desired during occupied times.
10. Turn LIGHT LEVEL knob counter-clockwise to stop. With lights on (as would be during normal occupied times), *slowly* adjust the LIGHT LEVEL knob clockwise just to the point when the LIGHT indicator comes on. To test, turn off building lights. LIGHT indicator should shut off. Allow for time delay.
11. If setback is not desired, move the setback disable switch (down) to the disable position.

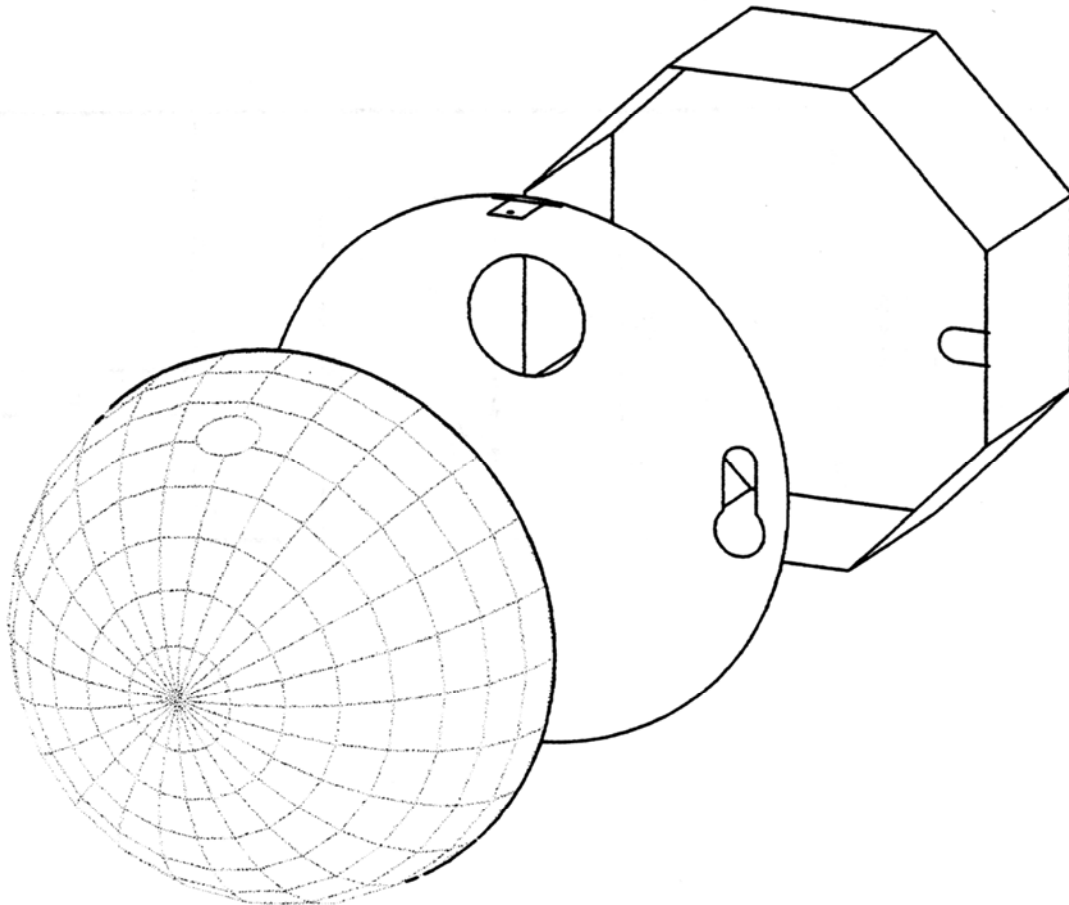
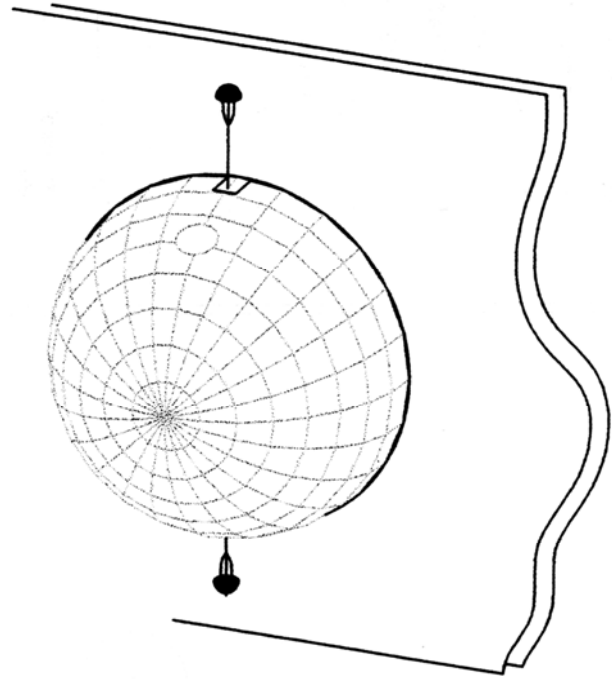


- Align control with the back plate and attach using supplied screws. Make sure that the occupancy sensor lens is in the top quadrant of the bulb.

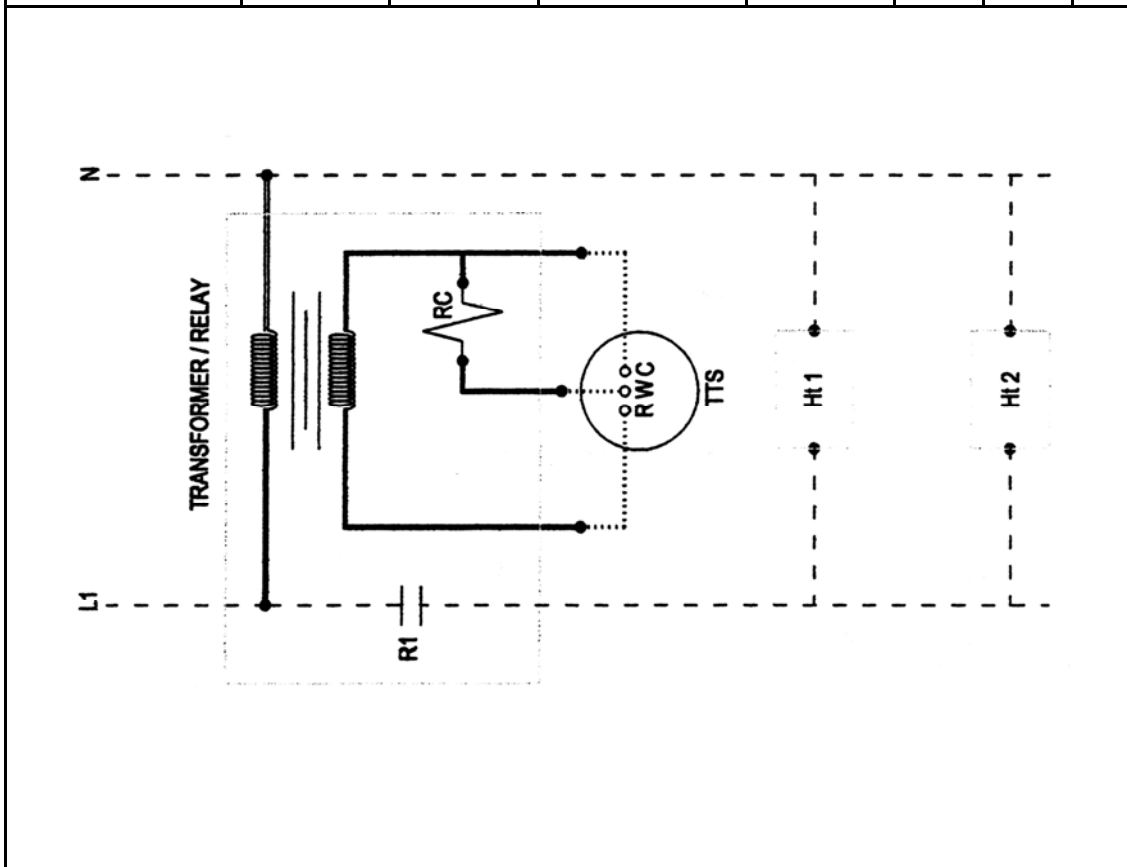
Note - Tamper proof screwdriver and screws are available as an option.

For 2 tamper proof screws with screwdriver, order part number: *JM-0180-XX*

For 2 tamper proof screws, order part number: *JM-0180-AA*



1	
2	
3	
4	
5	
6	
7	
8	
9	
10	
11	
12	
13	
14	R1 15
15	RC 14
16	
17	
18	
19	
20	
21	
22	
23	
24	
25	
26	
27	
28	
29	
30	
31	
32	
33	
34	
35	
36	
37	
38	



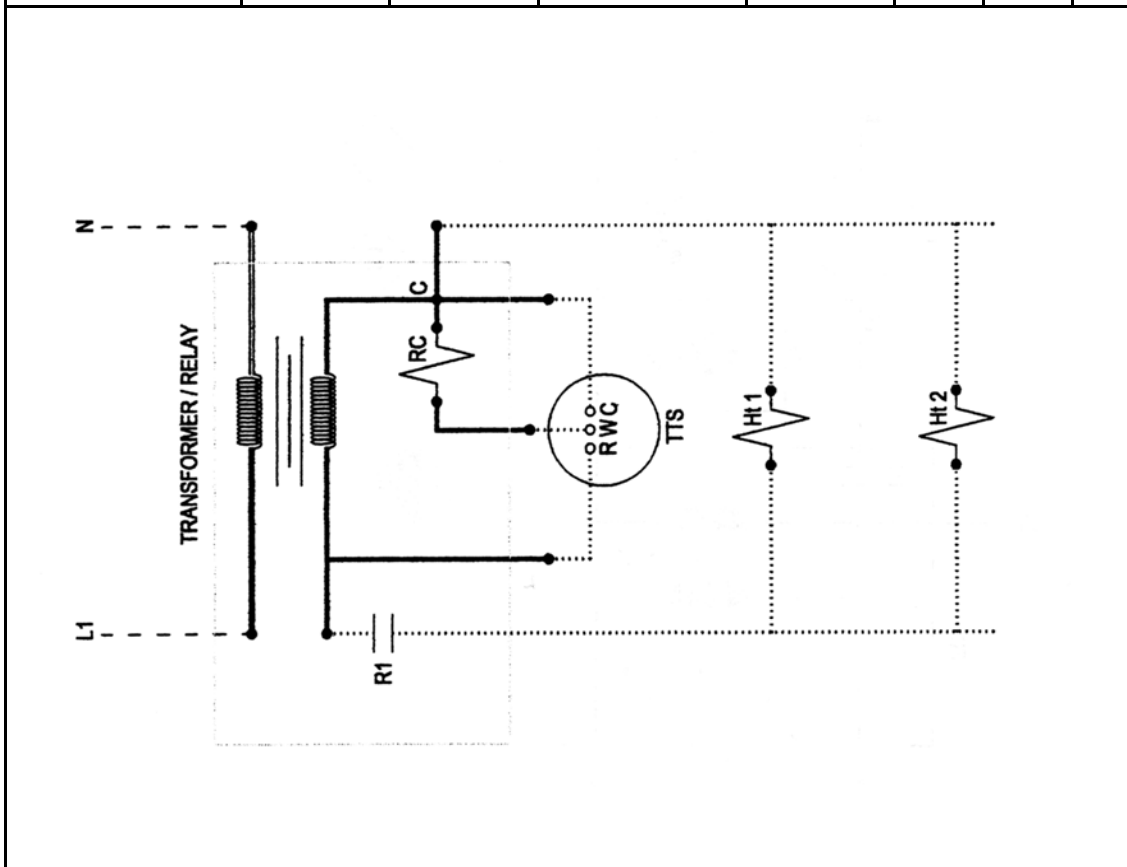
TTS	TruTemp Setback
RC	Relay Coil
R1	Relay Contacts
Ht	Heater
L1	Line
N	Neutral

Factory Wiring	—————
Line Voltage Field Wiring	- - - - -
Low Voltage Field Wiring

NOTE: IT IS THE RESPONSIBILITY OF THE INSTALLING CONTRACTOR TO ENSURE THAT THE INSTALLATION OF ALL INFRARED HEATING EQUIPMENT & OPERATING CONTROLS ARE IN ACCORDANCE WITH ALL APPLICABLE CODES AND MANUFACTURER'S SPECIFICATIONS.

DWG NAME:	TruTemp / Multiple STS / JM-0303-KT Transformer-Relay	
DWG NUM:	608171C-I	
DWN BY:	IH	DATE: 11/08/98
SUPERSEDE:	17/06/98	RL: 1

1	
2	
3	
4	
5	
6	
7	
8	
9	
10	
11	
12	
13	
14	R1 15
15	RC 14
16	
17	
18	
19	
20	
21	
22	
23	
24	
25	
26	
27	
28	
29	
30	
31	
32	
33	
34	
35	
36	
37	
38	

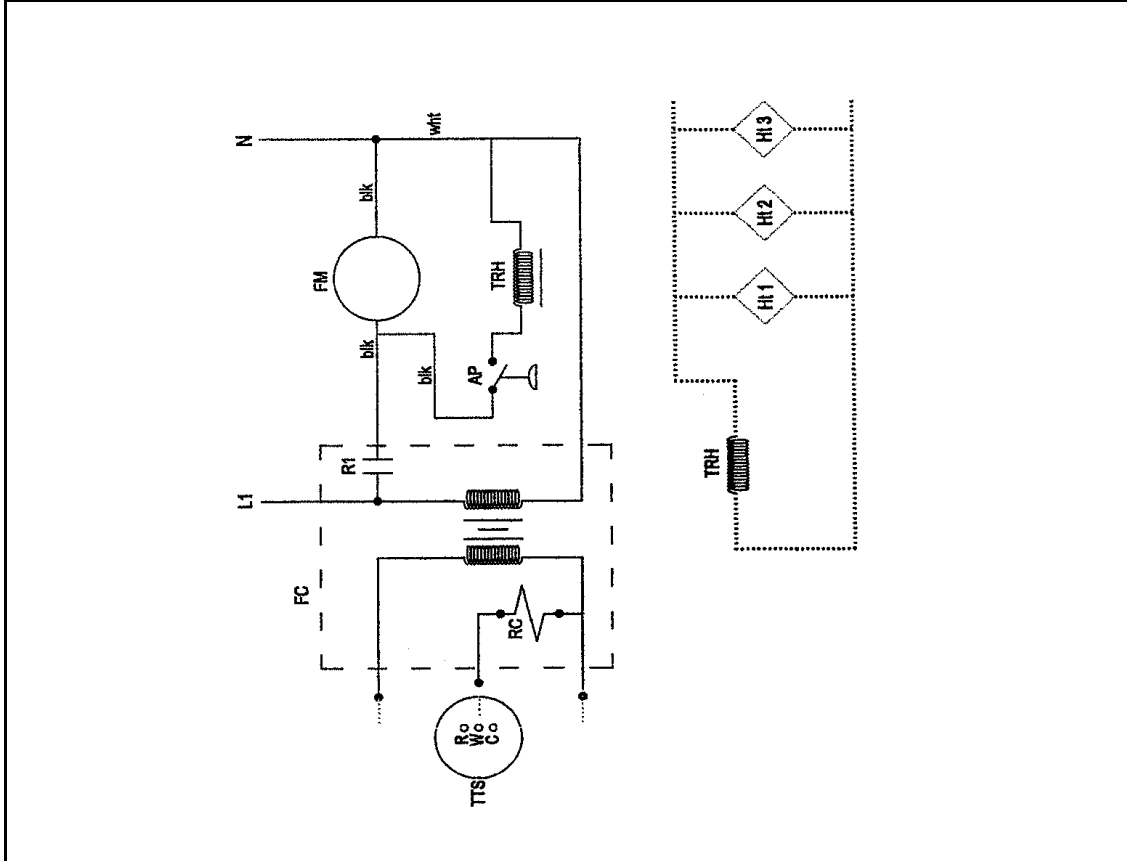
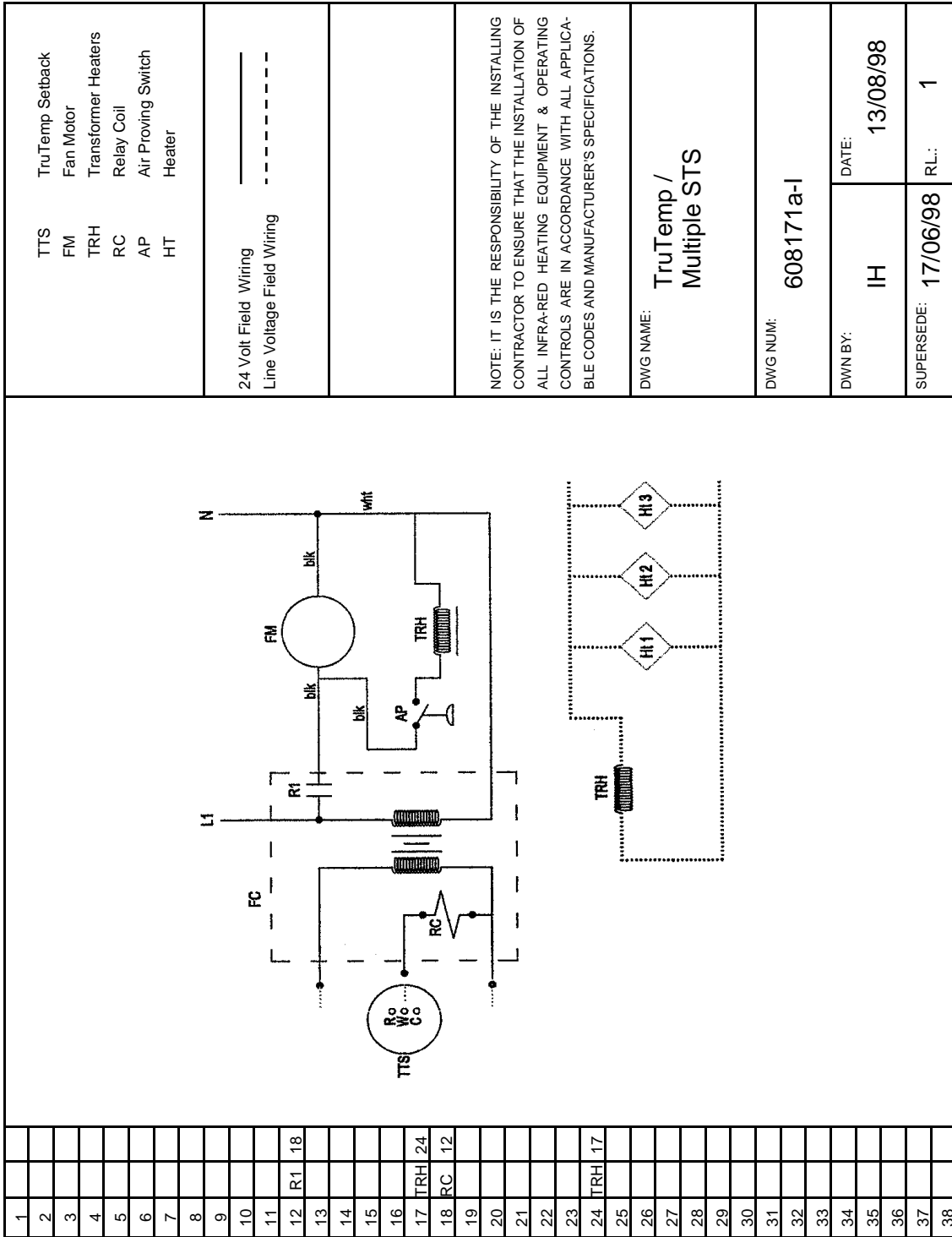


TTS	TruTemp Setback
RC	Relay Coil
R1	Relay Contacts
Ht	Heater
L1	Line
N	Neutral

Factory Wiring	—————
Line Voltage Field Wiring	- - - - -
Low Voltage Field Wiring

NOTE: IT IS THE RESPONSIBILITY OF THE INSTALLING CONTRACTOR TO ENSURE THAT THE INSTALLATION OF ALL INFRARED HEATING EQUIPMENT & OPERATING CONTROLS ARE IN ACCORDANCE WITH ALL APPLICABLE CODES AND MANUFACTURER'S SPECIFICATIONS.

DWG NAME:	TruTemp / STS Field Conversion/ JM-0300-XX	
DWG NUM:	608171d-I	
DWN BY:	IH	DATE: 11/08/98
SUPERSEDE:	29/07/98	RL: 2



1	
2	
3	
4	
5	
6	
7	
8	
9	
10	
11	
12	R1 18
13	
14	
15	
16	
17	TRH 24
18	RC 12
19	
20	
21	
22	
23	
24	TRH 17
25	
26	
27	
28	
29	
30	
31	
32	
33	
34	
35	
36	
37	
38	