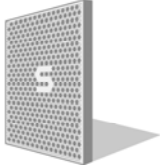


**SUBMITTAL
DATA**

Schwank
INNOVATIVE HEATING SOLUTIONS



SCHWANK GAS FIRED
INFRA-RED HEATERS
SERIES

SUPRASCHWANK

HIGH EFFICIENCY
COMBINED INTENSITY

PROJECT:	
ENGINEER:	
CONTRACTOR:	
DISTRIBUTOR:	
SCHWANK MODEL #:	
FUEL:	N.G. L.P.G.
APPROVED BY:	
DATE:	
APPROVAL #:	



NOTICE:

Schwank reserves the right to make changes to equipment and specifications without obligation or notification.

This publication, or parts thereof, may not be reproduced in any form, without prior written consent from Schwank.

Unauthorized use or distribution of this publication is strictly prohibited.

Schwank
5285 Bradco Boulevard,
Mississauga, Ontario,
CANADA L4W 2A6

2 Schwank Way
Waynesboro, Georgia,
USA, 30830

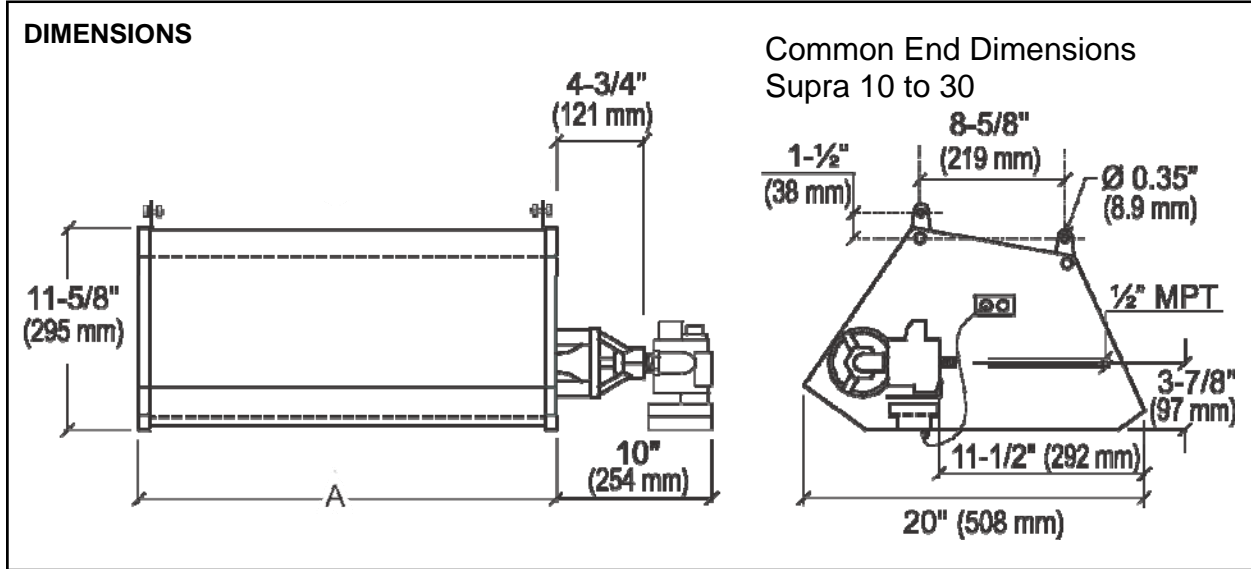
Customer and Technical Services
Phone: 1-877-446-3727
Fax: 1-866-361-0523

e-mail: csr@schwankgroup.com

www.schwankgroup.com

DIAGRAMS AND SPECIFICATIONS:

SUPRASCHWANK COMBINED INTENSITY HEATER



SPECIFICATIONS

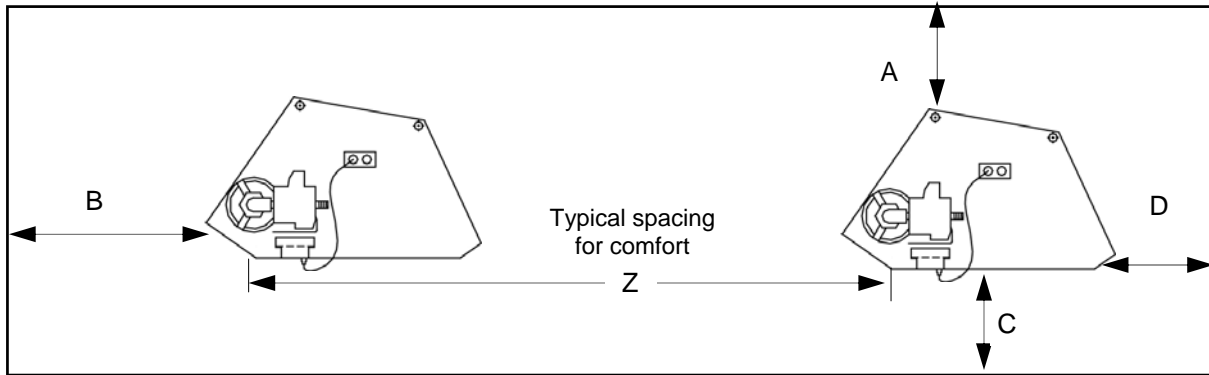
QTY THIS PROJECT	MODEL	DIMENSION		INPUT		OUTPUT		WEIGHT	
		A (inches)	A (mm)	Btuh	kW	Btuh	kW	LB	KG
	Supra 10	23.87	606	29,500	8.6	22,800	6.7	37	16.8
	Supra 15	34.50	876	44,000	12.9	35,600	10.4	53	24.0
	Supra 20	45.75	1162	59,000	17.3	47,800	14.0	62	28.1
	Supra 30	67.50	1715	88,500	25.9	71,700	21.0	82	37.2

GAS SUPPLY

	GAS TYPE	PRESSURE			GAS INLET
	NATURAL	MINIMUM LINE	6" w.c.	1.5 kPa	
		MAXIMUM LINE	14" w.c.	3.5 kPa	
		MANIFOLD	5" w.c.	1.25 kPa	
	PROPANE	MINIMUM LINE	11" w.c.	2.8 kPa	
		MAXIMUM LINE	14" w.c.	3.5 kPa	
		MANIFOLD	10" w.c.	2.5 kPa	

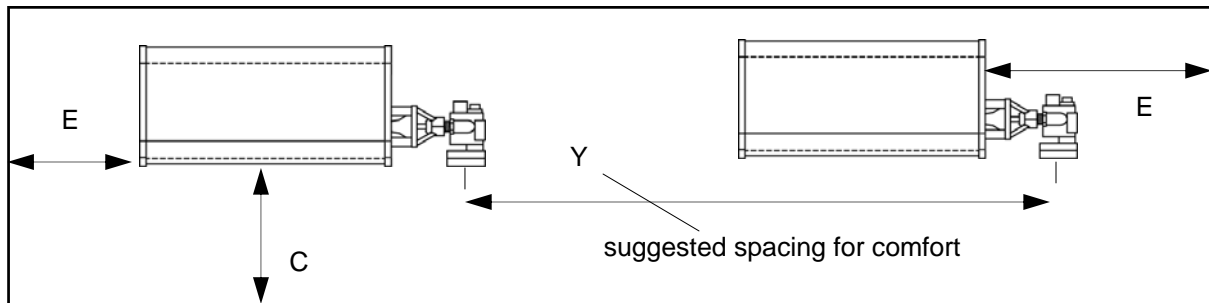
ELECTRICAL: 24V AC, 60 HZ, 0.8 AMPS, 20 VA

HORIZONTAL MOUNTING SUPRASCHWANK HEATERS: See Angle Mount specifications next



CERTIFIED MINIMUM CLEARANCE TO COMBUSTIBLES

	MODEL	HTR BOTTOM < C >	HTR FRONT < B >	HTR ENDS < E >	HTR TOP < A >	HTR REAR < D >
	Supra 10	90" (2285 mm)	30" (760 mm)	48" (1220 mm)	16" (405 mm)	30" (760 mm)
	Supra 15	96" (2440 mm)	30" (760 mm)	48" (1220 mm)	16" (405 mm)	30" (760 mm)
	Supra 20	100" (2540 mm)	33" (840 mm)	48" (1220 mm)	16" (405 mm)	33" (840 mm)
	Supra 30	105" (2670mm)	36" (915 mm)	48" (1220 mm)	16" (405 mm)	36" (915 mm)

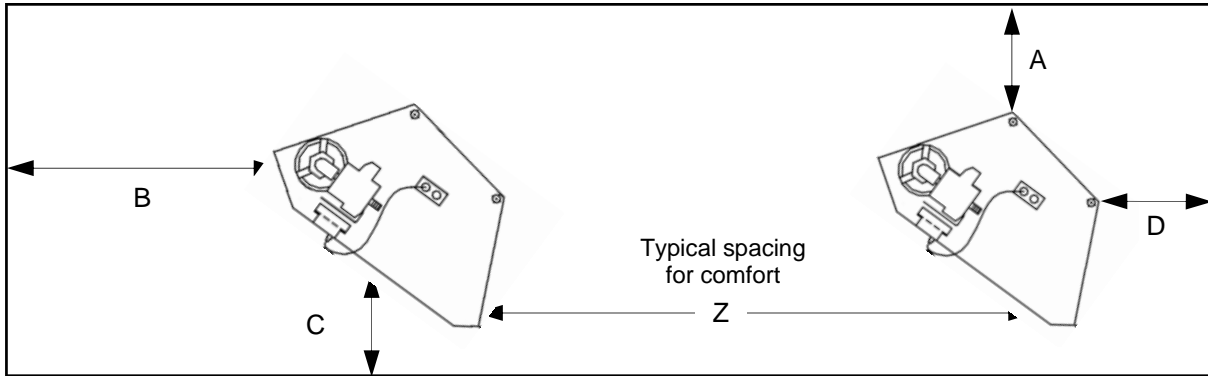


SUGGESTED MOUNTING DISTANCES FOR COMFORT*

	MODEL	MINIMUM HEIGHT ABOVE FLOOR < C >	MAXIMUM DISTANCE BETWEEN HEATERS < Z >	MAXIMUM DISTANCE BETWEEN ROWS < Y >
	Supra 10	15' (4600 mm)	25' (7600 mm)	30' (9000 mm)
	Supra 15	18' (5500 mm)	30' (9200 mm)	40' (12000 mm)
	Supra 20	20' (6100 mm)	35' (11000 mm)	50' (15000 mm)
	Supra 30	24' (7300 mm)	45' (14000 mm)	70' (21000 mm)

*These Mounting distances are suggested and are subject to on site conditions. If in doubt, please contact your Schwank distributor.

ANGLE MOUNTING SUPRASCHWANK HEATERS: See Horizontal Mount specifications previous page

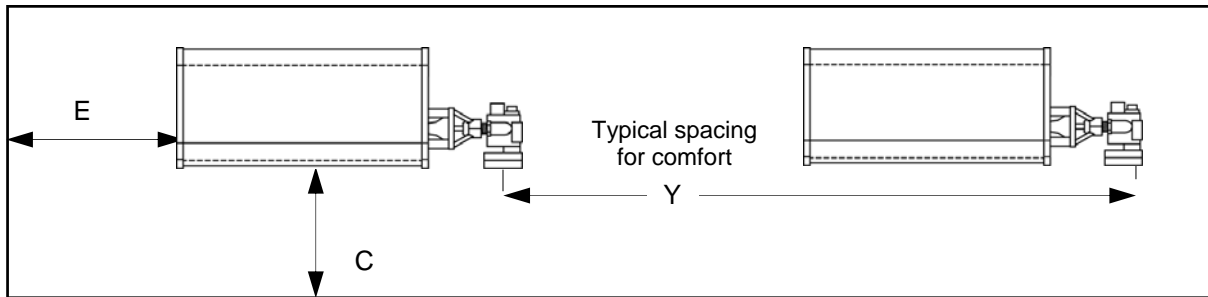


CSA APPROVED MINIMUM CLEARANCE TO COMBUSTIBLES

	MODEL	REAR OF HEATER < D >	TOP OF HEATER < A >	FRONT OF HEATER < B >	ENDS OF HEATER < E >	BOTTOM OF HEATER < C >
	Supra 10	8" (205 mm)	24" (610 mm)	66" (1680 mm)	48" (1220 mm)	36" (915 mm)
	Supra 15	8" (205 mm)	24" (610 mm)	66" (1680 mm)	48" (1220 mm)	36" (915 mm)
	Supra 20	8" (205 mm)	24" (610 mm)	69" (1750)	48" (1220 mm)	36" (915 mm)
	Supra 30	8" (205 mm)	24" (610 mm)	72" (1830)	48" (1220 mm)	36" (915 mm)

* Reflector with venturi must be in upper position

SUGGESTED MOUNTING DISTANCE FROM BURNER FOR COMFORT**



	MODEL	MINIMUM HEIGHT TO FLOOR < C >	FRONT OF HEATER < B >	MAXIMUM DISTANCE BETWEEN HEATERS < Y >	MAXIMUM DISTANCE BETWEEN ROWS < Z >
	Supra 10	13' (4000 mm)	13' (4000 mm)	25' (7600 mm)	50' (15000 mm)
	Supra 15	16' (4900 mm)	16' (4900 mm)	30' (9200 mm)	75' (23000 mm)
	Supra 20	18' (5500 mm)	18' (5500 mm)	35' (11000 mm)	100' (30000 mm)
	Supra 30	21' (6400 mm)	21' (6400 mm)	45' (14000 mm)	145' (44000 mm)

** These mounting distances are suggested and are subject to site conditions. If in doubt, please contact your Schwank distributor.

COMPONENT DESCRIPTION:

<p>THERMOSTAT</p>	<p>SCHWANK TRU-TEMP SET BACK STAT - WITH RADIANT & AMBIENT SENSORS AND AUTOMATIC UNOCCUPIED MODE SETBACK</p> <p>SCHWANK THERMOCONTROL PLUS CONTROLLER</p> <p>120 VOLT LINE VOLTAGE THERMOSTAT</p> <p>24 VOLT THERMOSTAT</p> <p>OTHER FIELD SUPPLIED CONTROL</p>
<p>IGNITION:</p>	<p>FENWAL DIRECT SPARK MODULE; 3 TRIAL</p> <p>OTHER _____</p>
<p>COMBINATION GAS VALVE: 24 VOLT</p>	<p>NATURAL GAS: 5" W.C. (1.25 kPA) MANIFOLD PRESSURE</p> <p>PROPANE GAS: 10" W.C. (2.5 kPA) MANIFOLD PRESSURE</p>
<p>REFLECTORS</p>	<p>ALUMINUM, COLD BONDED CLAD STEEL</p>
<p>VENTURI TUBE:</p>	<p>ALUMINIZED STEEL BUILT INTO DOUBLE WALL REFLECTOR TO SUPPLY PRE-HEATED COMBUSTION AIR.</p>
<p>INSULATION:</p>	<p>CERAMIC HIGH TEMPERATURE INSULATION COVERED WITH ALUMINIZED STEEL TO MINIMIZE LOSSES TO CONVECTION HEAT.</p>
<p>BURNER</p>	<p>SINGLE WITH COMPLETE IGNITION / SENSING SYSTEM</p>
<p>CERAMIC TILE</p>	<p>SCHWANK EFFECT TILE 14/4 WITH INCREASED SURFACE INDENTATIONS AND HARD FINISHED EDGES</p>
<p>TILE RETAINERS</p>	<p>STAINLESS STEEL WITH SLIDE OPENING FOR SERVICING.</p>