



REPLACEMENT PARTS LIST:

Schwank Series: **UHE**

InfraSave Series: **EIH**

HIGH RADIANT FACTOR GAS-FIRED INFRARED TUBE TYPE HEATER

NOTICE:

The manufacturer reserves the right to make changes to equipment and specifications without obligation of notification.

This publication or parts thereof may not be reproduced in any form without prior written consent from the manufacturer. Unauthorized use or distribution of this publication is strictly prohibited.

Schwank Group

5285 Bradco Blvd.
Mississauga, Ontario L4W 2A6

PO Box 988, 2 Schwank Way
Waynesboro, GA 30830

Customer & Technical Services:

1-877-446-3727

Fax: 1-866-361-0523

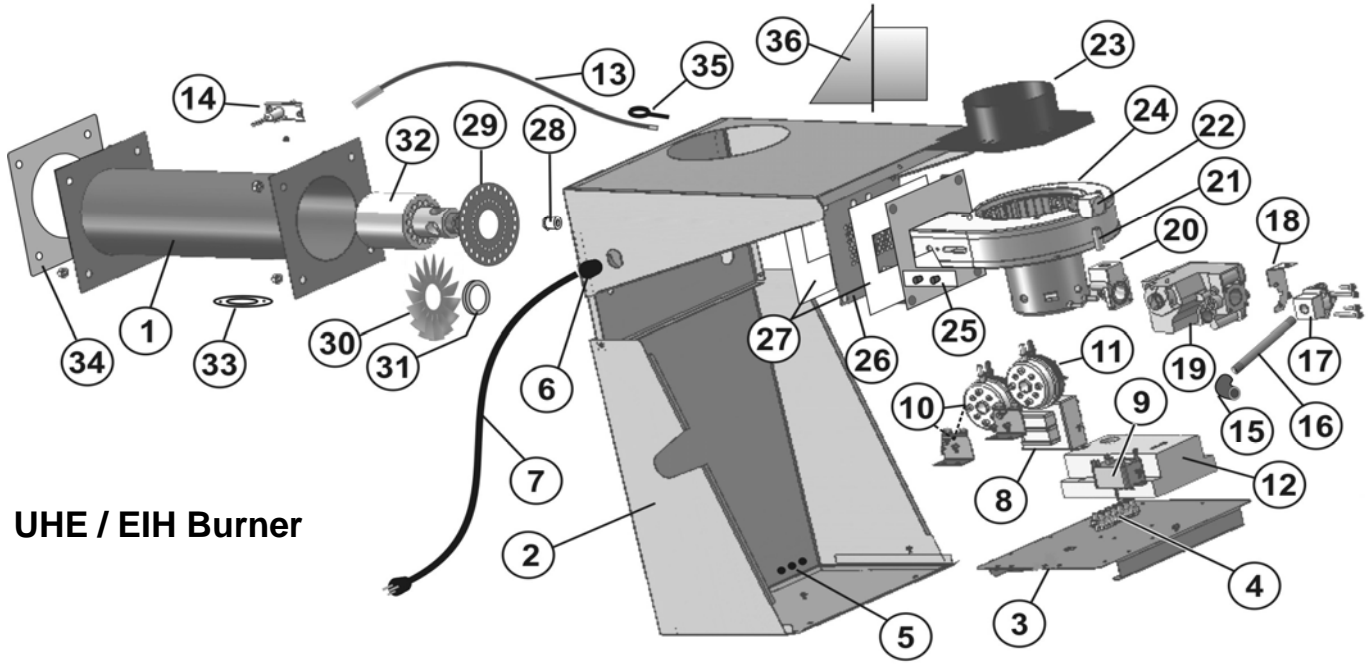
csr@schwankgroup.com

Schwank and InfraSave brand products

www.SchwankGroup.com

www.InfraSave.com



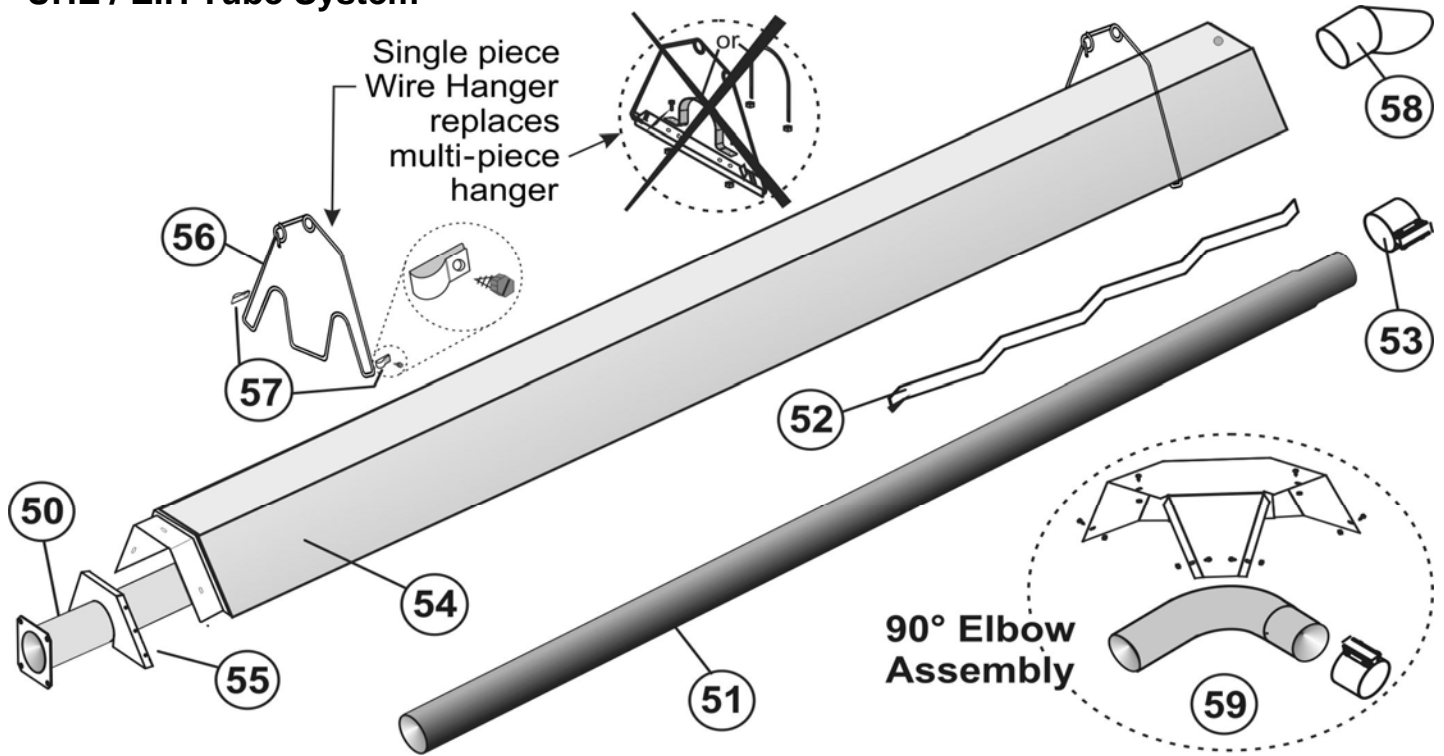


UHE / EIH Burner

#	PART NAME	SUPPLEMENT	PART #	PART DESCRIPTION
1	FLANGED ADAPTER		JS-0501-UL	4" Dia. x 7-3/4" Flanged Adapter - UL
2	BURNER ASSEMBLY HOUSING		JS-0582-UL	Burner housing coated orange - Schwank
			JJ-0582-UL	Burner housing coated grey - InfraSave
3	COMPONENT PLATE		JS-0581-UL	Component Mounting Plate
4	TERMINAL BLOCK		JM-0455-DD	Terminal block
5	STATUS INDICATOR LIGHTS		JW-0519-AM	Indicator light - Amber
			JW-0519-GR	Indicator light - Green
			JW-0519-RE	Indicator light - Red
6	HOUSING GROMMET		JP-2033-XX	Grommet connector - electrical cord & spark wire
7	ELECTRICAL CORD		JB-0567-XX	Electrical Cord - 6' with standard 120V plug
8	STEP DOWN TRANSFORMER		JA-0775-XX	Transformer 120/24V, 20VA AT120B1028
9	RELAY SWITCH 24V/120V		JS-0568-CC	24V/120V Relay Switch
10	BLOCKED FLUE PROVING SWITCH	60,000	JS-0577-TT	Blocked Flue Switch 0.60" WC
	<i>(Normally Closed Switch)</i>	90,000	JS-0577-YA	Blocked Flue Switch 0.70" WC
	<i>Mounting bracket is attached to switch</i>	130,000	JS-0577-UL	Blocked Flue Switch 0.74" WC
		160,000	JS-0577-YY	Blocked Flue Switch 0.90" WC
		200,000	JS-0578-UL	Blocked Flue Switch 1.03" WC
11	COMBUSTION AIR PROVING SWITCH	60,000	JS-0575-UL	Air Proving Switch 0.70" WC
	<i>(Normally Open Switch)</i>	200,000	JS-0576-UL	Air Proving Switch 1.10" WC
	<i>Mounting bracket is attached to switch</i>	160,000	JS-0575-ZB	Air Proving Switch 0.90" WC
	AIR SWITCH TUBING (NOT SHOWN)		JS-0572-SE	Air Switch Tubing Set 2 Pieces 1/4" x 20" PVC
Burners with FENWAL IGNITION CONTROL - Models: UHE-F; EIH-F				
12	FENWAL DSI CONTROL	"-F" Models	JA-0567-XX	3-Trial 24Vac with blower relay
	REPLACEMENT KIT: FENWAL & S87J	Replaces S87J	JA-0568-KT	Fenwal Control + Wire Harness + Cable + Igniter Kit
13	IGNITION CABLE - FENWAL		JS-0518-SA	Hi voltage wire (24") STW - 2 x 1/4" Spades
Burners with HONEYWELL S87-J IGNITION CONTROL - Models: UHE / EIH				
12	HONEYWELL IGNITION CONTROL	Discontinued	JA-0568-XX	NO LONGER AVAILABLE
	REPLACEMENT KIT: WITH FENWAL DSI	Replaces S87J	JA-0568-KT	Fenwal Control + Wire Harness + Cable + Igniter Kit
13	IGNITION CABLE HONEYWELL S87J		JS-0518-XX	High Voltage Ignition Cable (24")

#	PART DESCRIPTION	SUPPLEMENT	PART #	PART DESCRIPTION
14	IGNITER KIT		JA-0571-KT	Spark Igniter & Gasket Kit
15	90° GAS SUPPLY ELBOW			90° Gas Elbow - 1/2" x 1/2"
16	GAS SUPPLY NIPPLE - 4"			4" x 1/2" Gas Supply Nipple
17	90° INLET FLANGE ELBOW		JS-0588-UM	Valve Inlet 90° Flange Elbow - 1/2"F x 1/2"F
18	GAS VALVE MOUNT BRACKET		JS-0585-UA	Mounting Bracket - Gas Valve to Blower Assembly
19	GAS VALVE		JL-0701-AA	Combination Gas Valve - 3.5" wc 24Vac NG
		200,000 ONLY	JA-0506-XX	Slow Opening Gas Valve - 3.5" wc 24Vac NG
20	90° OUTLET FLANGE ELBOW		JS-0588-UL	Valve Outlet 90° Flange Elbow - 3/8"F x 1/2"F
21	GAS NIPPLE			1" x 1/2" Gas Supply Nipple
22	ORIFICE HOLDER		JS-0585-UD	Orifice Holder - 90° Elbow
23	AIR INTAKE ADAPTER	60 NG	JS-0595-SP	Air Inlet Adapter with Air Restrictor Orifice - 1-3/4"
		90 NG	JS-0595-UA	Air Inlet Adapter with Air Restrictor Orifice - 2"
		130 & 160 NG	JS-0595-UD	Air Inlet Adapter with Air Restrictor Orifice - 2-3/8"
		200 NG	JS-0595-UG	Air Inlet Adapter with Air Restrictor Orifice - 2-3/4"
24	BLOWER ASSEMBLY		JS-0579-UL	Blower assembly Ultra burner
25	PRESSURE SWITCH TUBING ADAPTER		JS-0585-UG	Adapter for connection of 1/4" pressure switch tubing
26	EQUALIZER PLATE	60 NG	JS-0593-UA	Outlet equalizer plate UL 60 NG
		90 NG	JS-0593-UD	Outlet equalizer plate UL 90 NG
		130 NG	JS-0593-UG	Outlet equalizer plate UL 130 NG
		160 NG	JS-0593-UJ	Outlet equalizer plate UL 160 NG
27	FLANGE ADAPTER GASKET		JS-0591-XX	Gasket - Flange Adapter to Tube
28	MAIN BURNER ORIFICE	60 NG	JS-0726-DM	Gas orifice 60 Mbh NG Ultra - 26 DMS
		90 NG	JS-0715-DM	Gas orifice 90 Mbh NG Ultra - 15 DMS
		130 NG	JS-0758-MM	Gas orifice 130 Mbh NG Ultra - 5.8 mm
		160 NG	JS-0725-IN	Gas orifice 160 Mbh NG Ultra - 1/4" Drill Size
		200 NG	JS-070N-NS	Gas orifice 200 Mbh NG Ultra - 'N' Drill Size
29	BURNER AIR RESTRICTOR RING	60 NG	JS-0585-UJ	Burner Cup Air Restrictor Ring UL 60 NG
		90 NG	JS-0585-UK	Burner Cup Air Restrictor Ring UL 90 NG
		130 NG	JS-0585-UL	Burner Cup Air Restrictor Ring UL 130 NG
		160 NG	JS-0585-UM	Burner Cup Air Restrictor Ring UL 160 NG
		200 NG	JS-0585-UN	Burner Cup Air Restrictor Ring UL 200 NG
30	BURNER AIR DIVERTER	60,000 NG	JS-0585-UP	Burner Air Diverter - UL 60 NG
		90,000 NG	JS-0585-UR	Burner Air Diverter - UL 90 NG
31	AIR DIVERTER RETAINER NUT	60 & 90,000 NG	JS-0585-US	Burner Air Diverter Retainer Nut
32	BURNER CUP		JS-0512-CA	Burner Cup - Cast Aluminum
33	SIGHT GLASS ASSEMBLY		JS-0536-XX	Sight glass assembly - tube heater
34	FLANGE GASKET: BURNER / TUBE		JS-0591-XX	Flange Adapter Gasket
35	EYE BOLT		JF-1012-EB	Eye Bolt
	COMBUSTION AIR WALL CAP	Optional Accessory	JS-0532-VC	Birdscreened 4" Air Intake Wall Cap

UHE / EIH Tube System



#	PART DESCRIPTION	SUPPLEMENT	PART #	PART DESCRIPTION PRIMARY
50	FLANGED COMBUSTION TUBES	60,000-160,000	JA-0501-SW-P	Tube flanged - aluminized - swaged - 10'
		200,000	JA-0499-SW-P	Tube flanged - alumatherm - swaged - 10'
51	HEAT EXCHANGER TUBES	60,000-160,000	JS-0515-SW-P	Tube - steel - emissive coated - swaged - 10'
		160 & 200,000	JS-0501-SK	Tube - aluminized - swaged - 10' SECOND TUBE - 1/4" hole at female end for special coupling (JA-0516-RK) to 1st tube
52	TURBULATORS: Refer to manual for more detail			
		160 & 200 x 60 ft	JS-0533-UA	Turbulator 2'
	(see Manual for required length)	90 x 30 ft	JS-0533-UD	Turbulator 3'
		60 x 20' & 130 x 40'	JS-0533-UG	Turbulator 6'
		160 x 50 ft	JS-0533-LG	Turbulator 10'
53	TUBE COUPLER		JA-0516-SW	Coupler 4" swaged tube
		160 & 200	JA-0516-RK	Coupler + 1/4" Rivet + Drill Bit - 1st to 2nd tube
54	INSULATED DOUBLE REFLECTOR		JS-0502-HE	Reflector x 116" - High Temperature Ceramic Insulation
55	REFLECTOR END CAP		JS-0502-UL	Reflector end cap - UL
56	WIRE HANGER		JS-0505-UW	ULTRA Wire Hanger - horizontal / 30°
57	HANGER CLIP		JA-0780-KT	Qty 4 each: Wire Clips & Sheet Metal Screws
58	HORIZONTAL VENT TERMINAL	Optional	JA-0528-XX	Horizontal wall 4" vent terminal
59	90° ELBOW KIT	Accessories	JA-0508-UL	90° Elbow + Reflector End Cap + Tube Coupler