

REPLACEMENT PARTS LIST

SCHWANK GAS FIRED SERIES **STR-JZ**

LOW INTENSITY TUBE TYPE INFRARED HEATER

NOTICE:

The manufacturer reserves the right to make changes to equipment and specifications without obligation of notification.

This publication or parts thereof may not be reproduced in any form without prior written consent from the manufacturer. Unauthorized use or distribution of this publication is strictly prohibited.

Schwank Group

5285 Bradco Blvd.
Mississauga, Ontario L4W 2A6

PO Box 988, 2 Schwank Way
Waynesboro, GA 30830

Customer & Technical Services:
1-877-446-3727
Fax: 1-866-361-0523
csr@schwankgroup.com

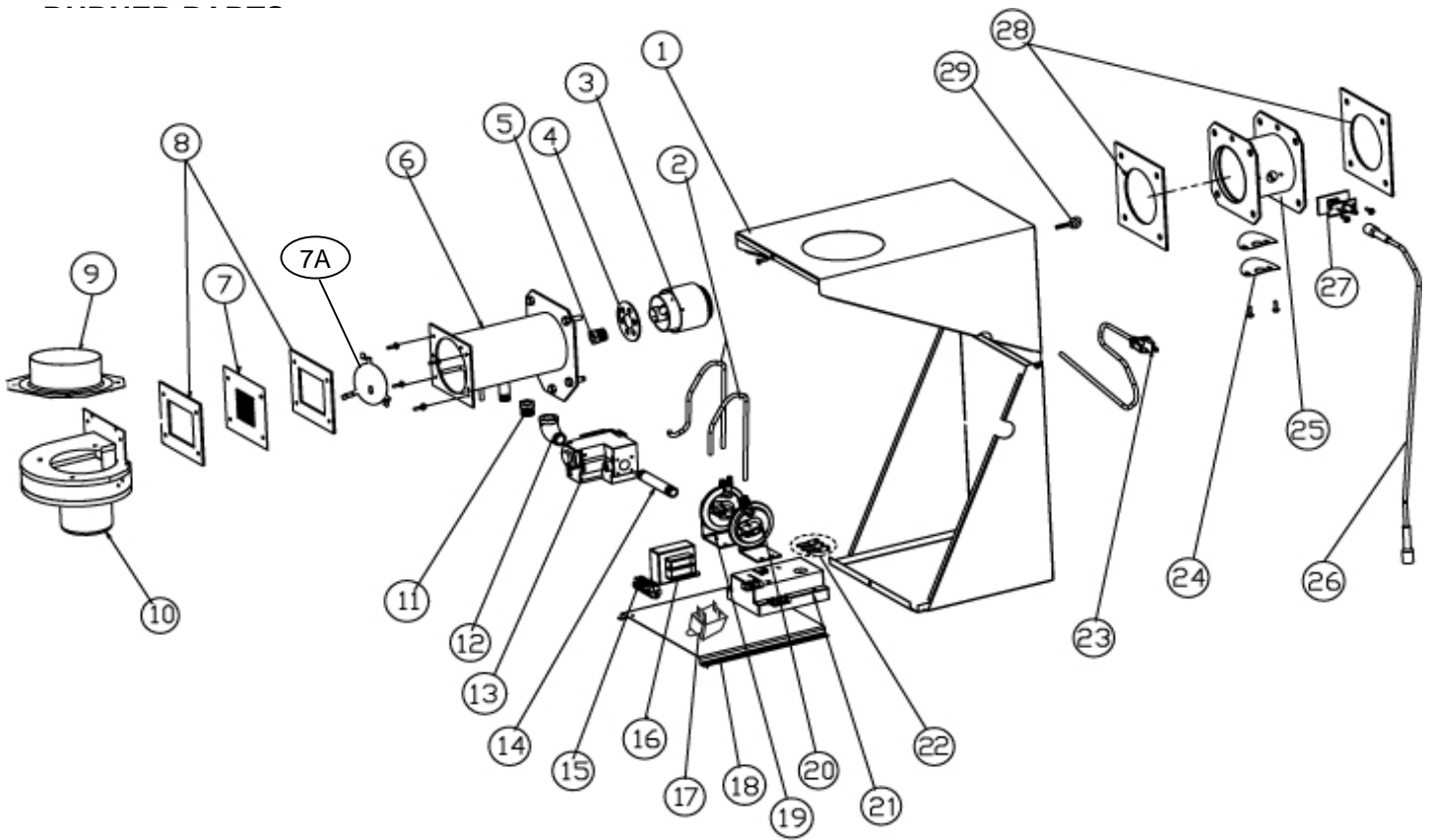
Schwank and InfraSave brand products

www.SchwankGroup.com
www.InfraSave.com



FOR YOUR SAFETY:

This heater must only be serviced by a trained gas service technician. Failure to comply could result in personal injury, death, fire and/or property damage.



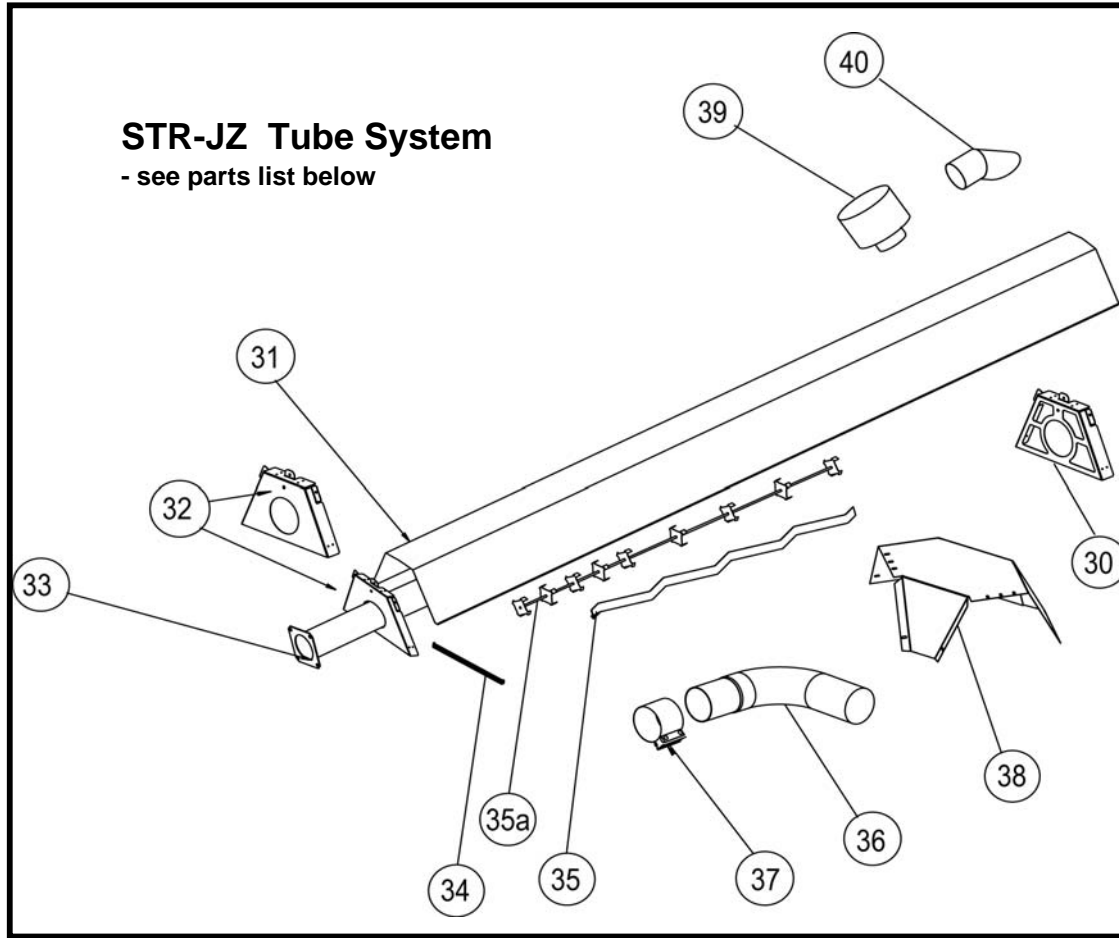
#	PART DESCRIPTION	PART #	PART DESCRIPTION PRIMARY	SUPPLEMENT
1	BURNER HOUSING	JS-0582-XX	Burner housing coated orange - Schwank	
2	PRESSURE SWITCH TUBING	JS-0572-SE	Tubing set 2 x 20" PVC SE	
3	BURNER HEAD	JS-0510-LP	Burner head 45-80	45-60
4	AIR RESTRICTOR RING	JS-0596-AA	Burner head air restr ring 9/32"	45LP, NG
		JS-0596-XX	Burner head air rest ring 0.375	60LP,NG
5	MAIN BURNER ORIFICE	JS-0748-DM	Gas orifice low intensity HR 48 DMS	45 LP
		JS-0730-DM	Gas orifice low intensity HR 30 DMS	45 NG
		JS-0742-DM	Gas orifice low intensity HR 42 DMS	60 LP
		JS-0725-DM	Gas orifice low intensity HR 25 DMS	60 NG

SEE EXPLODED VIEW OF BURNER ON PREVIOUS PAGE

#	PART DESCRIPTION	PART #	PART DESCRIPTION PRIMARY	SUPPLEMENT
6	OUTER BURNER	JS-0504-XX	Outer burner assy	
7	EQUALIZER PLATE	JS-0593-XL	Outlet equalizer plate 45 LP - 29 Holes - Series X	STR-JZ-45-L-X1
		JS-0593-LP	Outlet equalizer plate 45 LP - 37 Holes	STR-JZ-L-45
		JS-0593-NG	Outlet equalizer plate 45 NG - 25 Holes	STR-JZ-N-45
		JS-0593-XX	Outlet equalizer plate 60 to 200	
7A	AIR RESTRICTOR	JS-0592-AR	Burner air restrictor (45-X1 Only)	STR-JZ-45-X1; 45000
8	BLOWER GASKET	JS-0578-XX	Outlet blower gasket	each
9	AIR FLANGE	JS-0594-ST	Blower restr ring flange STSp 60	45 NG & 60
		JS-0595-AA	Blower restr ring STSp 110-200	45LP
10	BLOWER	JS-0579-AA	Blower assy tube burner	
11	MANIFOLD BUSHING	JM-0589-XX	Manifold bushing	
12	90 DEGREE ELBOW FITTING 1/2"	JS-0588-XX	Street elbow fitting 90 deg	
13	GAS VALVE	JL-0701-AA	Valve gas comb 3.5" WC 24VAC VR8 NG	
		JL-0703-AA	Valve gas comb 10" WC 24VAC VR8 LP	
14	4" NIPPLE	JS-0590-XX	Nipple 4"	
15	TERMINAL BLOCK	JM-0455-DD	Terminal block	
16	STEP DOWN TRANSFORMER	JA-0775-XX	Transformer 120/24V, 20VA AT120B1028	
17	24V/120V RELAY SWITCH	JS-0568-CC	24V/120V Relay Switch	ALL
18	COMPONENT PLATE	JS-0581-SE	Component mounting plate SE	
19	COMBUSTION AIR PROVING SWITCH	JS-0576-XX	Switch air proving 0.48" WC	45
		JS-0576-AA	Switch air proving 0.85" WC	45
		JS-0576-YY	Switch air proving 0.30" WC	60
20	BLOCKED FLUE PROVING SWITCH	JS-0577-ZZ	Switch flue blocked 1.41" WC	45
		JS-0577-YY	Switch flue blocked 0.90" WC	45
		JS-0577-SS	Switch flue blocked 0.58" WC	60
21	IGNITION CONTROL	JA-0568-XX	Control DSI 24VAC S87J-1034	
22	INDICATOR LAMPS	JW-0519-AM	Indicator light amber STSp	
		JW-0519-GR	Indicator light green STSp	
		JW-0519-RE	Indicator light red STSp	
23	ELECTRICAL CORD	JB-0567-XX	Cord - electrical 6'	
24	SIGHT GLASS ASSEMBLY	JS-0536-XX	Sight glass assembly - tube heater	
25	FLANGED ADAPTER	JS-0501-YY	Flanged adapter 4" STSp 45	45
		JS-0501-ZZ	Flanged adapter 4" STSp 60-200	60
26	IGNITION CABLE	JS-0518-XX	Wire hi voltage (24")	
27	IGNITER KIT	JA-0571-KT	Spark Igniter & Gasket Kit	
28	FLANGE GASKET	JS-0591-XX	Flange Adapter Gasket	each
29	EYE BOLT	JF-1012-EB	Eye Bolt	
*	WIRING KIT (not shown)	JW-SRXX-HX	Wiring Kit with Harness STR	

PLEASE SEE THE CURRENT 'ITEM PRICE LIST' or CONTACT YOUR LOCAL AUTHORIZED DEALER

TUBE SYSTEM PARTS



#	PART DESCRIPTION	PART #	PART DESCRIPTION PRIMARY	SUPPLEMENT
30				
31	WEBBED HANGER	JS-0505-JZ	Webbed Hanger	each
32	REFLECTOR	JS-0502-JZ	Reflector 24" x 116"	each
33	END PLATE HANGER	JS-0506-JZ	End Plate hanger	each
	LOW INTENSITY TUBE	JA-0501-PA-P	Tube flanged aluminized sw no ports	45,000
		JA-0501-SW-P	Tube flanged aluminized sw no ports	60,000
34		JS-0515-SW-P	Tube steel coated sw 10'	each
35	REFLECTOR BRACE	JS-0506-RB	Reflector brace	each
	TURBULATOR	JS-0533-SH	Turbulator short 4'	60,000
35a	(see STS-JZ I&O Manual)	JS-0533-LG	Turbulator 10'	60,000
36		JS-0534-SS	Turbulator 5' - 45000 - 8 plates	45,000
37	ELBOW 4"	JA-0508-SW	Elbow 90 deg	
38	COUPLER	JA-0516-SW	Coupler 4" sw tube	each
39	90° ELBOW REFLECTOR	JS-0503-US	Reflector Cap for 90° Elbow	
40	VENT CAP	JA-0530-XX	Vent cap 4" roof	
	VENT CAP	JA-0528-XX	Horizontal wall 4" vent terminal	

*

PLEASE SEE THE CURRENT 'ITEM PRICE LIST' or CONTACT YOUR LOCAL AUTHORIZED DEALER

GP-NSJR-CX-02C
 STR-JZ RPL
 RD: Aug 2006
 RL:02C
 KH