

Schwank
INNOVATIVE HEATING SOLUTIONS



infrsave
radiant heaters

SET

ITT

GAS FIRED SERIES

REPLACEMENT PARTS LIST

LOW INTENSITY TUBE TYPE INFRA RED HEATER

NOTICE:

The manufacturer reserves the right to make changes to equipment and specifications without obligation of notification.

This publication or parts thereof may not be reproduced in any form without prior written consent from the manufacturer. Unauthorized use or distribution of this publication is strictly prohibited.

Schwank Group

5285 Bradco Blvd.
Mississauga, Ontario L4W 2A6

PO Box 988, 2 Schwank Way
Waynesboro, GA 30830

Customer & Technical Services:
1-877-446-3727
Fax: 1-866-361-0523
csr@schwankgroup.com

Schwank and InfraSave brand products

www.SchwankGroup.com
www.InfraSave.com

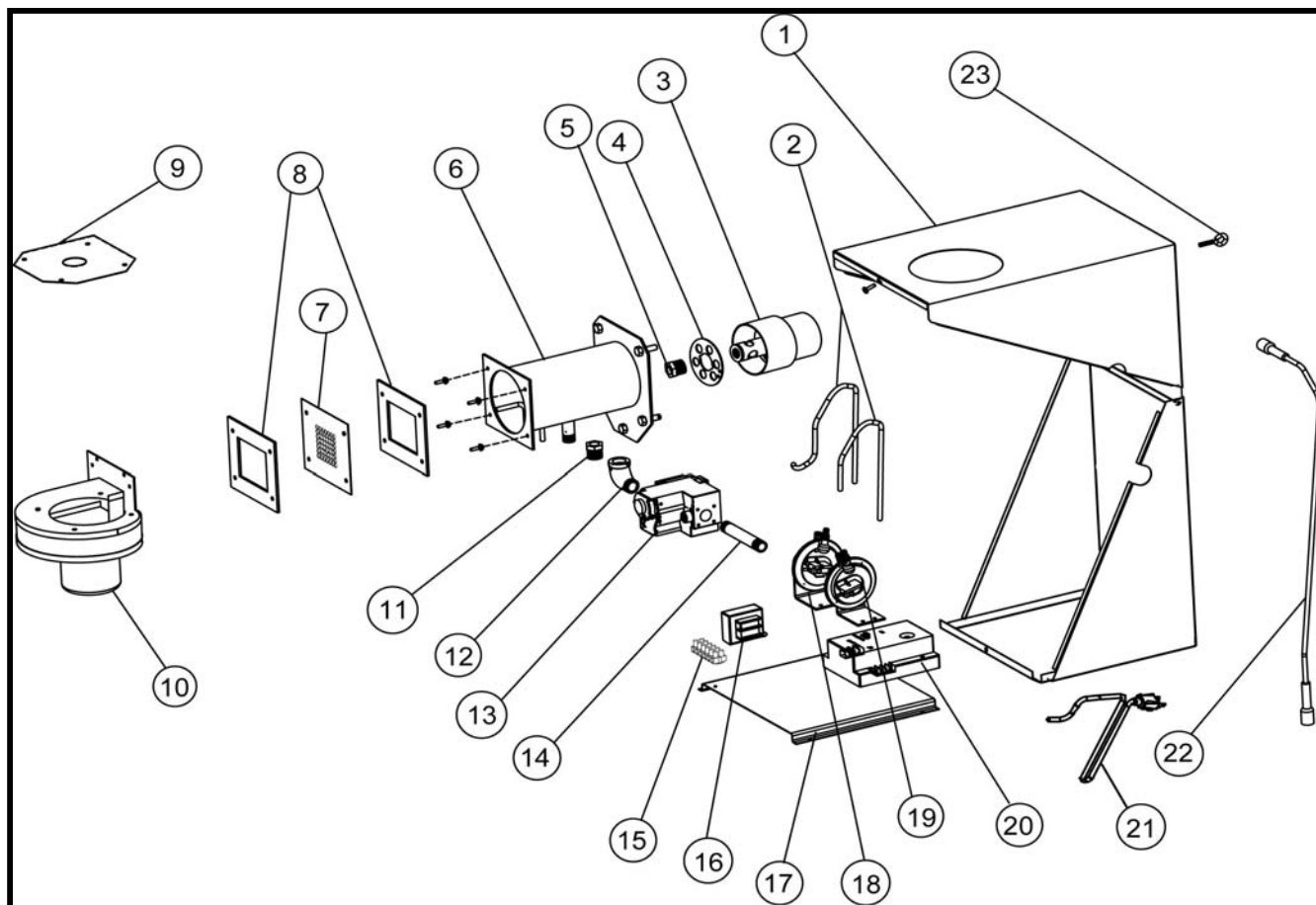


FOR YOUR SAFETY:

This heater must only be serviced by a trained gas service technician. Failure to comply could result in personal injury, death, fire and/or property damage.

SP-RSET-CX-02A
SET / ITT RPL
RD: MAY 2009
RL: 02A
BA

BURNER PARTS

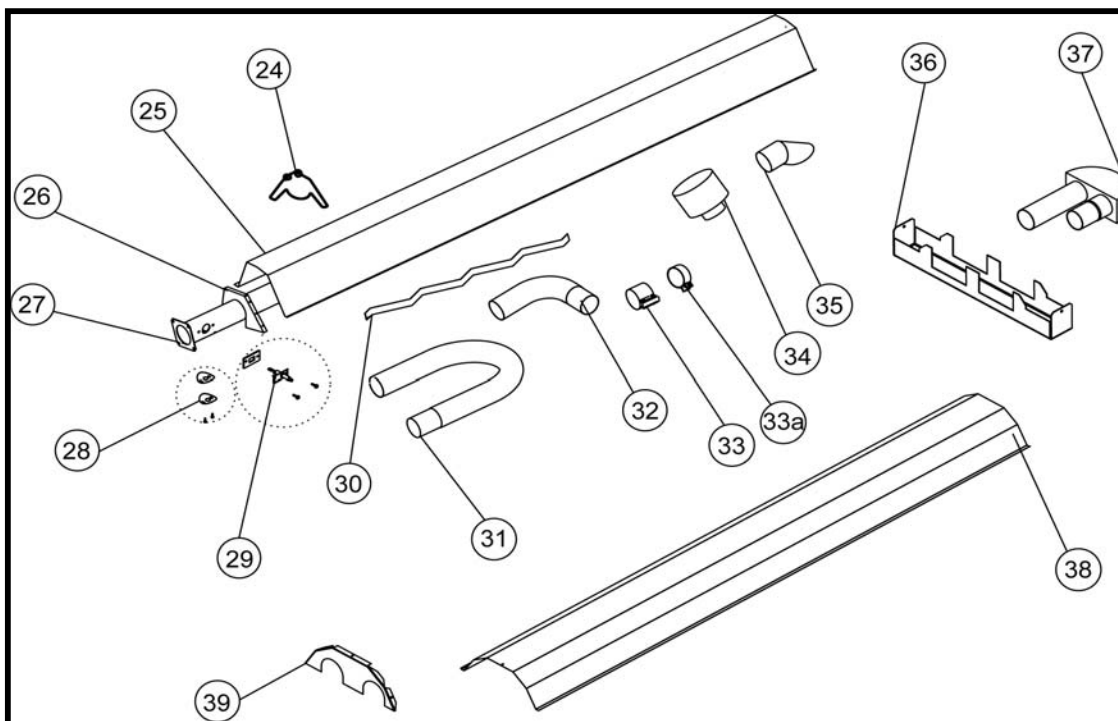


#	PART DESCRIPTION	PART #	PART DESCRIPTION PRIMARY	SUPPLEMENT
1	BURNER HOUSING	JS-0582-XX	Burner housing (painted orange)	
2	PRESSURE SWITCH TUBING	JS-0572-SE	P.V.C. tubing set (2 x 20")	
3	BURNER HEAD	JS-0510-LP	Burner head (45-80)	60-80
		JS-0512-XX	Burner head (110-200)	110-200
4	AIR RESTRICTOR RING	JS-0596-XX	Burner head air rest. ring .375	60LP,60-200NG
		JS-0597-XX	Burner head air rest. ring .500	80-200LP
5	MAIN BURNER ORIFICE	JS-0736-DM	Gas orifice low intensity HTR 36 DMS	80 LP
		JS-0718-DM	Gas orifice low intensity HTR 18 DMS	80 NG
		JS-0731-DM	Gas orifice low intensity HTR 31 DMS	110 LP
		JS-0752-MM	Gas orifice low intensity HTR 5.2 mm	110 NG
		JS-0729-DM	Gas orifice low intensity HTR 29 DMS	130 LP
		JS-0758-MM	Gas orifice low intensity HTR 5.8 mm	130 NG
		JS-0714-IN	Gas orifice low intensity HTR 9/64 inch	155 LP
		JS-0725-IN	Gas orifice low intensity HTR 1/4 inch	155 NG
		JS-0767-MM	Gas orifice low intensity HTR 6.7 mm	175 NG
		JS-0730-IN	Gas orifice low intensity HTR 19/64 inch	200 NG
6	OUTER BURNER	JS-0504-XX	Outer burner assembly - Silver	NG
		JS-0504-BK	Outer burner assembly - Black	LP
7	EQUALIZER PLATE	JS-0593-XX	Outlet equalizer plate (60 to 200)	
8	BLOWER GASKET	JS-0578-XX	Outlet blower gasket	each
9	AIR INLET C/W SCREEN	JS-0595-AC	blower ring c/w 1 1/2" bird screen	80/60, 110/80
		JS-0595-EP	blower ring c/w 1 3/4" bird screen	155/110 NG/LP, 130/90 NG
		JS-0595-AE	blower ring c/w 2" bird screen	175/200 NG
		JS-0595-AB	blower ring c/w 2 1/8" bird screen	130/90 LP
		JS-0595-EA	blower ring c/w 3 1/8" bird screen	200/140 NG
10	BLOWER	JS-0579-AA	Blower assembly tube burner	
11	MANIFOLD BUSHING	JS-0589-XX	Manifold bushing	
12	90 DEGREE ELBOW FITTING 1/2"	JS-0588-XX	90 degree street elbow fitting	1/2"
13	GAS VALVE	JA-0507-TT	Two Stage Gas Valve LP VR8205Q2944	LP
		JA-0506-TT	Two Stage Gas Valve NG VR8205Q2480	NG
14	4" NIPPLE	JS-0590-XX	4" nipple	
15	TRANSFORMER	JA-0775-XX	Transformer 120/24V, 20VA AT120B1028	
16	TERMINAL BLOCK	JM-0455-DD	Terminal Block -6	
	THERMOSTAT RELAY KIT (not shown)	JS-0568-KT	Thermostat Relay Kit 24V	
17	COMPONENT PLATE	JS-0581-SE	component mounting plate	
18	COMBUSTION AIR PROVING SWITCH	JS-0575-YY	Air proving switch .65" W.C.	80/60, 110/80
		JS-0575-ZC	Air proving switch .80" W.C.	155/110
		JS-0575-ZB	Air proving switch .90" W.C.	130/90, 175/120
		JS-0575-ZA	Air proving switch 1.40" W.C.	200/140
19	BLOCKED FLUE PROVING SWITCH	JS-0577-TT	Blocked flue switch .60" W.C.	80/60, 175/120
		JS-0577-RR	Blocked flue switch .46" W.C.	110/80
		JS-0577-TS	Blocked flue switch .80" W.C.	130/90, 155/110
		JS-0577-YA	Blocked flue switch .70" W.C.	200/140
20	IGNITION CONTROL	JA-0568-XX	D.S.I. CONTROL 24VAC	
21	ELECTRICAL CORD	JB-0567-XX	Cord - electrical 6'	
22	IGNITION CABLE	JS-0518-XX	Hi voltage wire (24")	
23	EYE BOLT	JF-1012-EB	Eye bolt	
	WIRING KIT (not shown)	JW-MXXX-HX	Wiring kit	

* PLEASE SEE YOUR CURRENT PRICE LIST

SP-RSET-CX-02A
SET / ITT RPL
RD: MAY 2009
RL: 02A
BA

TUBE SYSTEM PARTS



#	PART DESCRIPTION	PART #	PART DESCRIPTION PRIMARY	SUPPLEMENT
24	WIRE HANGER	JS-0505-EH	Small wire hanger	
25	REFLECTOR	JS-0502-EM	Reflector (18" x 120")	
26	END CAP	JS-0502-ES	SET / ITTseries reflector end cap	
27	LOW INTENSITY TUBE	JS-0501-SW-P	Aluminized tube, flanged, swaged c/w ports	60-155
		JS-0501-SK	Aluminized tube, 10' slotted + Accuseal clamp	175-200
		JS-0499-SW-P	Alumatherm tube, flanged, swaged c/w ports	175-200
		JS-0515-SW-P	Steel tube 10' swaged	
		JS-0515-SW-5	Steel tube 5' swaged	
28	SIGHT GLASS ASSEMBLY	JS-0536-XX	Sight glass assembly tube heater	
29	IGNITER KIT	JA-0571-KT	Igniter & gasket kit / DSI tube heater	
30	TURBULATOR (see Table 4 in SEM-u (installation manual)	JS-0533-SH	Short turbulator 4'	
		JS-0533-LG	Turbulator 10'	
31	ELBOW 4"	JA-0508-SW	90 degree elbow	
32	ELBOW 4"	JA-0513-SW	180 degree elbow	
33	COUPLER	JA-0516-SW	4" swaged tube coupler torctite	
33a	COUPLER 175 & 200 Mbh	JA-0516-RK	Coupler 4" with Rivet & Drill Bit	175-200
34	VENT CAP	JA-0530-XX	4" roof vent cap	
35	VENT CAP	JA-0528-XX	4" horizontal wall vent terminal	
36	DOUBLE STEEL HANGER	JS-0505-BU	U tube reflector hanger	
37	TURN BOX	JS-0513-BU	U tube turn around box	
38	DOUBLE REFLECTOR	JS-0502-BU	Wide reflector 24" x 120"	
		JS-0502-BU5	Wide reflector 24" x 60"	
39	U REFLECTOR END CAP	JS-0502-ND	SET / ITTseries "U" reflector end cap	