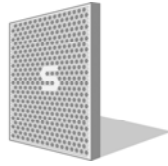


**Schwank**  
INNOVATIVE HEATING SOLUTIONS



**infrasave**  
radiant heaters

## builderSchwank Series S100 Models

## Builder Series ITB Models

GAS-FIRED LOW INTENSITY TUBE TYPE  
INFRA RED HEATERS

### REPLACEMENT PARTS LIST

#### NOTICE:

*The manufacturer reserves the right to make changes to equipment and specifications without obligation of notification.*

*This publication or parts thereof may not be reproduced in any form without prior written consent from the manufacturer. Unauthorized use or distribution of this publication is strictly prohibited.*

*Schwank Group*

5285 Bradco Blvd.  
Mississauga, Ontario L4W 2A6

PO Box 988, 2 Schwank Way  
Waynesboro, GA 30830

Customer & Technical Services:  
1-877-446-3727  
Fax: 1-866-361-0523  
csr@schwankgroup.com

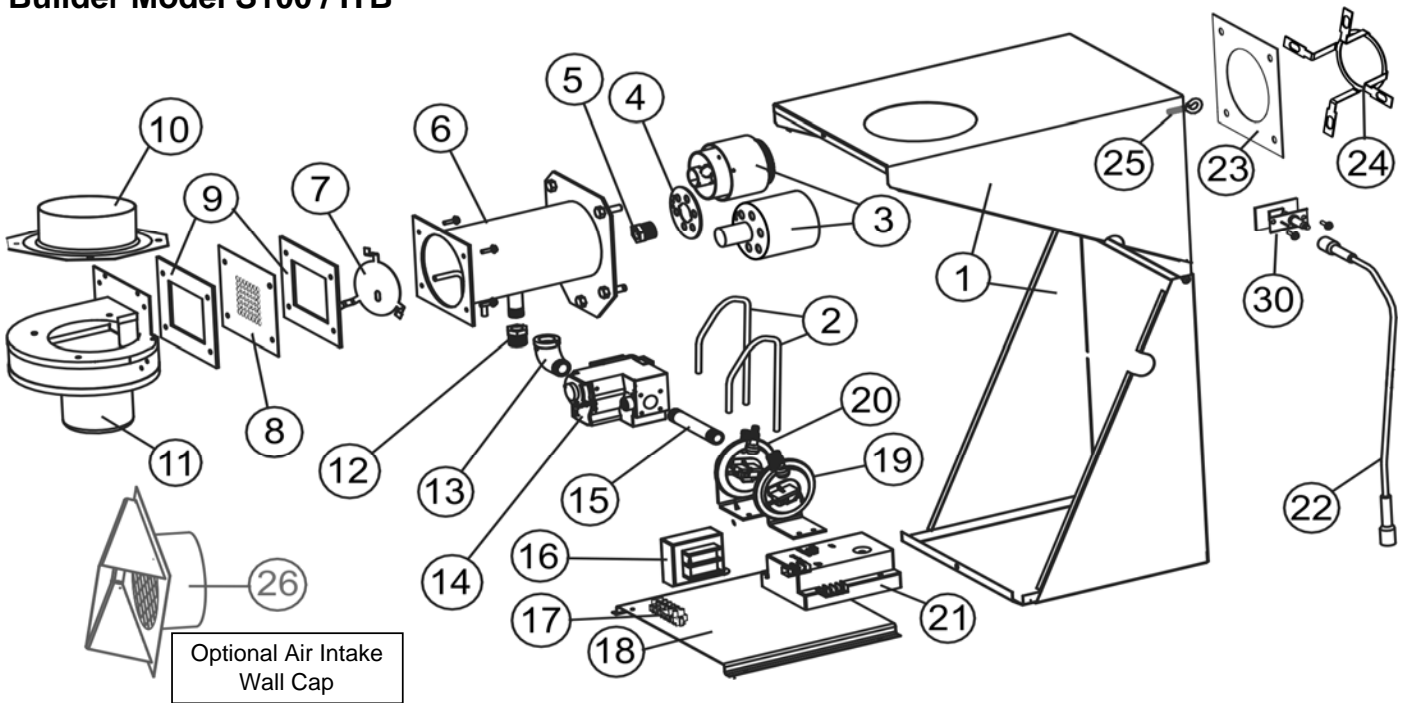
**Schwank and InfraSave brand products**  
[www.SchwankUSA.com](http://www.SchwankUSA.com)  
[www.Schwank.ca](http://www.Schwank.ca)  
[www.InfraSave.com](http://www.InfraSave.com)



#### FOR YOUR SAFETY:

This heater must only be serviced by a trained gas service technician. Failure to comply could result in personal injury, death, fire and/or property damage.

## Burner Components Builder Model S100 / ITB



#	PART DESCRIPTION	MODEL	MODEL DASH #/ GAS TYPE	PART #	PART DESCRIPTION PRIMARY
1	BURNER HOUSING	ALL	Schwank	JS-0582-XX	Burner housing coated orange
		ALL	Infrasave	JJ-0582-XX	Burner housing coated gray
2	PRESSURE SWITCH TUBING	ALL		JS-0572-SE	Tubing set 2 x 20" PVC SE
3	BURNER CUP	45	NG; LP	JS-0510-LP-45	Burner Cup w/ Center Hole
		60, 80, 100	NG; LP	JS-0510-LP	Burner Cup
		110-155	NG; LP	JS-0512-XX	Burner Cup
		175	NG	JS-0512-XX	Burner Cup
		175	LP	JS-0512-UL	Burner Cup - Cast Aluminum - No Hole
		200	NG; LP	JS-0512-UL	Burner Cup - Cast Aluminum - No Hole
4	BURNER CUP AIR RESTRICTOR RING	45	NG; LP	JS-0596-AA	Burner Cup air restr ring 9/32"
		60	LP	JS-0596-XX	Burner Cup air rest ring 0.375
		60-175	NG	JS-0596-XX	Burner Cup air rest ring 0.375
		80-155	LP	JS-0597-XX	Burner head air rest. ring .500
		175	-S; LP	JS-0597-XY	Burner Cup air rest ring 175-S LP
		200	-S; LP	JS-0597-YE	Burner Cup air rest ring 200-S LP
		200	-S; NG	JS-0597-YY	Burner Cup air rest ring 200-S NG
5	MAIN BURNER ORIFICE	45	LP	JS-0748-DM	Gas orifice low intensity HR 48 DMS
		45	NG	JS-0730-DM	Gas orifice low intensity HR 30 DMS
		60	LP	JS-0742-DM	Gas orifice low intensity HTR 42 DMS
		60	NG	JS-0725-DM	Gas orifice low intensity HTR 25 DMS
		80	LP	JS-0736-DM	Gas orifice low intensity HTR 36 DMS
		80	NG	JS-0718-DM	Gas orifice low intensity HTR 18 DMS
		100, 110	LP	JS-0731-DM	Gas orifice low intensity HTR 31 DMS
		100, 110	NG	JS-0752-MM	Gas orifice low intensity HTR 5.2 mm

continued ...

#	PART DESCRIPTION	MODEL	MODEL DASH #/ GAS TYPE	PART #	PART DESCRIPTION PRIMARY
5	MAIN BURNER ORIFICE	130	LP	JS-0729-DM	Gas orifice low intensity HTR 29 DMS
		130	NG	JS-0758-MM	Gas orifice low intensity HTR 5.8 mm
		155	LP	JS-0714-IN	Gas orifice low intensity HTR 9/64 inch
		155	NG	JS-0725-IN	Gas orifice low intensity HTR 1/4 inch
		175	LP	JS-0724-DM	Gas orifice low intensity HTR 24 DMS
		175	NG	JS-0767-MM	Gas orifice low intensity HTR 6.7 mm
		200	LP	JS-0719-DM	Gas orifice low intensity HTR 19 DMS
		200	NG	JS-0730-IN	Gas orifice low intensity HTR 19/64 inch
6	BURNER CHAMBER	ALL		JS-0504-XX	Burner Chamber
7	BURNER AIR RESTRICTOR	45	NG & LP	JS-0592-AR	Burner air restrictor (45 Only)
8	EQUALIZER PLATE	45	LP	JS-0593-XL	Outlet equalizer plate 45 LP - 29 Holes
		45	NG	JS-0593-NG	Outlet equalizer plate 45 NG - 25 Holes
		60 to 155	NG & LP	JS-0593-XX	Outlet equalizer plate 60 to 155 LP & NG
		175	LP	JS-0593-XY	Outlet equalizer plate 175-S LP
		175	NG	JS-0593-XX	Outlet equalizer plate 175 NG
		200	NG & LP	JS-0593-XE	Outlet equalizer plate 200-S LP & NG
9	BLOWER GASKET	ALL	<i>Each</i>	JS-0578-XX	Outlet blower gasket
10	AIR INLET C/W SCREEN	45	NG	JS-0595-SC	Air Inlet Adapter 45 NG
		45	LP	JS-0594-ST	Air Inlet Adapter 45 LP
		60	NG & LP	JS-0594-ST	Air Inlet Adapter 60 NG & LP
		80	NG & LP	JS-0595-SP	Air Inlet Adapter 80 NG & LP
		100	NG	JS-0595-SP	Air Inlet Adapter 100NG
		110 to 200	NG & LP	JS-0595-AA	Air Inlet Adapter 110-200 NG & LP
11	BLOWER ASSEMBLY	45 to 175		JS-0579-AA	Blower Assembly 1/35 HP - 45 to 175
		200		JS-0579-ZZ	Blower Assembly 1/20 HP - 200,000
12	MANIFOLD BUSHING	ALL		JM-0589-XX	Manifold bushing
13	90 DEGREE ELBOW FITTING 1/2"	ALL		JS-0588-XX	Street elbow fitting 90 deg
14	GAS VALVE	45 to 155	NG	JL-0701-AA	Valve gas comb 3.5" WC 24VAC VR8 NG
		45 to 155	LP	JL-0703-AA	Valve gas comb 10" WC 24VAC VR8 LP
		175, 200	NG	JA-0506-XX	Gas Valve - Slow Open 3.5" WC NG
		175, 200	LP	JA-0507-XX	Gas Valve - Slow Open 10" WC LP
15	4" NIPPLE	ALL		JS-0590-XX	Nipple 4"
16	TERMINAL BLOCK	ALL		JM-0455-DD	Terminal block
17	STEP DOWN TRANSFORMER	ALL		JA-0775-XX	Transformer 120/24V, 20VA AT120B1028
18	COMPONENT PLATE	ALL		JS-0581-XX	Component mounting plate SE
19	COMBUSTION AIR PROVING SWITCH	45	-C; -UH	JS-0576-XX	Air proving Switch 0.48" WC
		45	-X1	JS-0576-AA	Air proving Switch 0.85" WC
		60		JS-0576-YY	Air proving Switch 0.30" WC
		80		JS-0576-XX	Air proving Switch 0.48" WC
		110		JS-0575-YY	Air proving Switch 0.65" WC
		110	-FB	JS-0575-ZB	Air proving Switch 0.90" WC
		130		JS-0575-YY	Air proving Switch 0.65" WC
		130	-FB	JS-0576-UL	Air proving Switch 1.10" WC
		155		JS-0575-YY	Air proving Switch 0.65" WC
		155	-A	JS-0575-UG	Air proving Switch 1.00" WC
		175	-S; NG	JS-0576-AA	Air proving Switch 0.85" WC
		175	-S; LP	JS-0576-XY	Air proving Switch 1.15" WC
		200	-S	JS-0575-ZA	Air proving Switch 1.40" WC

#	PART DESCRIPTION	MODEL	MODEL DASH #/ GAS TYPE	PART #	PART DESCRIPTION PRIMARY
20	BLOCKED FLUE PRESSURE SWITCH	45	-X1	JS-0577-YY	Blocked flue switch 0.90" WC
		45	-C; -UH	JS-0577-ZZ	Blocked flue switch 1.41" WC
		60	NG; LP	JS-0577-SS	Blocked flue switch 0.58" WC
		110	-FB	JS-0578-UL	Blocked flue switch 1.03" WC
		130	-FB	JS-0577-XZ	Blocked flue switch 1.25" WC
		80-155	NG; LP	JS-0577-YY	Blocked flue switch 0.90" WC
		175	-S; NG	JS-0577-ZZ	Blocked flue switch 1.41" WC
		175	-S; LP	JS-0577-XY	Blocked flue switch 1.20" WC
		200	-S; LP	JS-0577-UW	Blocked flue switch 1.33" WC
		200	-S; NG	JS-0577-ZZ	Blocked flue switch 1.41" WC
21	<i>See below - Confirm Make of Ignition Control installed in burner</i>				
22					
23	FLAME RECTIFICATION PLATE	175	-S LP	JS-0591-XY	Flame Rectifier Plate 175-S LP
24	FLAME RECTIFICATION	110	-FB	JS-0592-RT	Flame Rectifier 110, 130 -FB Models
		130	-FB	JS-0592-RT	Flame Rectifier Plate 175-S LP
		200	-S LP	JS-0592-RX	Flame Rectifier 200-S LP
25	EYE BOLT	ALL		JF-1012-EB	Eye Bolt
26	COMBUSTION AIR INLET WALL CAP 4"	ALL	OPTIONAL	JS-0532-VC	Fresh air intake horizontal (wall) vent cap 4"
30	IGNITER KIT	ALL		JA-0571-KT	Igniter & gasket kit / DSI tube heater

#### Burners with FENWAL IGNITION CONTROL - Models: S100-F; ITB-F

20	FENWAL DSI CONTROL	ALL		JA-0567-XX	3-Trial 24Vac with blower relay
	REPLACEMENT KIT: FENWAL replaces S87J	ALL		JA-0568-KT	Fenwal Control + Wire Harness + Cable + Igniter: Replaces S87J
21	IGNITION CABLE	ALL		JS-0518-SA	Hi voltage wire (24") STW - 2 x 1/4" Spades

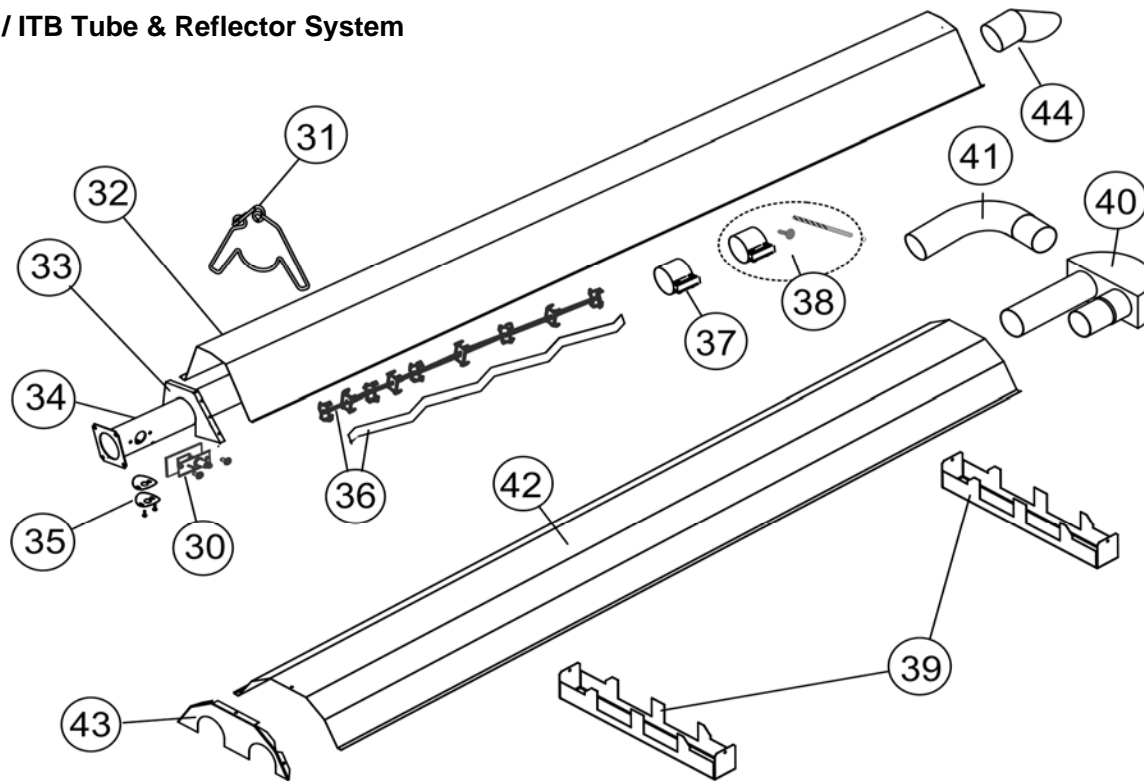
#### BURNERS WITH HONEYWELL S87-J IGNITION CONTROL

20	IGNITION CONTROL	S87J DISCONTINUED		JA-0568-XX	<del>Control DSI 24VAC S87J-1034</del>
	REPLACEMENT KIT: FENWAL replaces S87J			JA-0568-KT	Fenwal Control + Wire Harness + Cable + Igniter: Replaces S87J
21	IGNITION CABLE HONEYWELL S87J			JS-0518-XX	Wire high voltage (24") S87J Bullet Connection

#### BURNERS WITH CHANNEL GASLITER 50N IGNITION CONTROL

20	IGNITION CONTROL			JB-0568-AA	Control - DSI 3 Try potted Gasliter 50N 50N-24-3-30-20-30-30,24VAC 1,1A
21	IGNITION CABLE			JS-0518-SA	Hi voltage wire (24") STW - 2 x 1/4" Spades
	IGNITION CONTROL WIRING HARNESS			JB-0568-WH	3 Try potted spark DSI control wiring harness
	WIRING KIT (not shown)			JW-WXXX-HX	Wiring kit w/ Harness - Gasliter Control

# S100 / ITB Tube & Reflector System



#	PART DESCRIPTION	MODEL	MODEL DASH #/ GAS TYPE	PART #	PART DESCRIPTION PRIMARY
30	IGNITER KIT			JA-0571-KT	Igniter & gasket kit / DSI tube heater
31	WIRE HANGER	<i>Straight Tube System</i>		JS-0505-EH	Small wire hanger
32	REFLECTOR	<i>Straight Tube System</i>		JS-0502-EM	Reflector (18" x 120")
33	END CAP	<i>Straight Tube System</i>		JS-0502-ES	S100 / ITB series reflector end cap
34	FLANGED TUBES	45 to 155		JS-0501-SW-P	Flanged, Aluminized Steel tube, swaged, ports
		175 & 200	<i>See next</i>	<del>JS-0499-SW-P</del>	<del>Flanged, Alumitherm tube - DISCONTINUED</del>
		175 & 200		JS-0500-SS-P	Flanged, Stainless Steel tube, swaged, ports; replaces JS-0499-SW-P
	SWAGED TUBES - NO FLANGE	175 & 200		JS-0501-SW	Aluminized tube, 10' with hole for rivet
		ALL		JS-0515-SW-P	Steel tube 10' swaged
		15' U-TUBE		JS-0515-SW-5	Steel tube 5' swaged
35	SIGHT GLASS ASSEMBLY	ALL		JS-0536-XX	Sight glass assembly tube heater
36	TURBULATOR (see Table 4 in Manual)	45 x 10 FT		JS-0534-SS	Turbulator 5' (7 PLATE)
				JS-0533-SH	Turbulator 4'
		TM-1430-SX		JS-0533-SS	Turbulator 5' - Stainless Steel
		TM-1430-SX		JS-0533-SL	Turbulator 8' - Stainless Steel
				JS-0533-LG	Turbulator 10'
		100		JS-0535-XX	Turbulator 10' Special - 100,000 Btuh ONLY
37	COUPLER	ALL		JA-0516-SW	4" swaged tube coupler torcite
38	COUPLER + STAINLESS STEEL RIVET + 1/4" DRILL BIT	175 & 200	1st to 2nd & 2nd to 3rd tube connections	JA-0516-RK	Tube Connection Kit: Coupler + Rivet + Drill Bit (175 & 200: 1st to 2nd & 2nd to 3rd tube)
39	DOUBLE STEEL HANGER	<i>U' Tube System</i>		JS-0505-BU	U tube reflector hanger
40	TURN BOX	<i>U' Tube System</i>		JS-0513-BU	U tube turn around box
41	90° ELBOW 4"		<b>OPTIONAL</b>	JA-0508-SW	90 degree elbow
42	DOUBLE REFLECTOR	<i>U' Tube System</i>		JS-0502-BU	Wide reflector 24" x 120" (10 ft)
43		<i>U' Tube System</i>		JS-0502-BU5	Wide reflector 24" x 60" (5 ft)
	U REFLECTOR END CAP	<i>U' Tube System</i>		JS-0502-ND	S100 / ITB series "U" reflector end cap
44	WALL VENT TERMINATION		<b>OPTIONAL</b>	JA-0528-XX	4" horizontal wall vent terminal
	COMPLETE TUBE KITS			Refer to Current Price List	