

# SUBMITTAL DATA

**Schwank**  
INNOVATIVE HEATING SOLUTIONS



## SCHWANK GAS-FIRED CAR WASH / OUTDOOR

### SPW-JZ SERIES LOW INTENSITY TUBE TYPE INFRA RED HEATERS

PROJECT:	
ENGINEER:	
CONTRACTOR:	
DISTRIBUTOR:	
SCHWANK MODEL #:	
FUEL:	N.G. L.P.G.
APPROVED BY:	
DATE:	
APPROVAL #:	



**NOTICE:**

Schwank reserves the right to make changes to equipment and specifications without obligation or notification.

This publication, or parts thereof, may not be reproduced in any form, without prior written consent from Schwank.

Unauthorized use or distribution of this publication is strictly prohibited.

Schwank  
5285 Bradco Boulevard  
Mississauga, Ontario,  
CANADA L4W 2A6

2 Schwank Way  
Waynesboro, Georgia,  
USA 30830

Customer and Technical Services  
Phone: 1-877-446-3727  
Fax: 1-866-361-0523

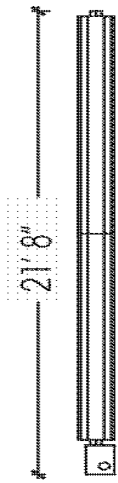
e-mail: [csr@schwankgroup.com](mailto:csr@schwankgroup.com)

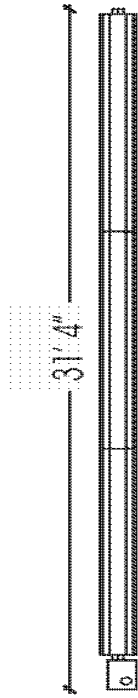
**[www.schwankgroup.com](http://www.schwankgroup.com)**

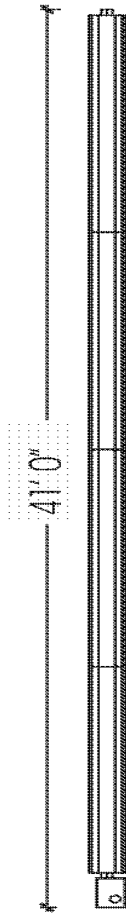
Quantity On This Project	<u>TABLE 1:</u> <u>MODEL CONFIGURATIONS</u>	TOTAL HEATER LENGTH	CAPACITY BTU/HR kW	TURBULATOR	GAS PRESSURE & ELECTRICAL	FLUE & AIR VENTS	SHIPPING WEIGHT Kg (LBS.)
				REQUIRED LENGTH			
	SPW-JZ-200-70	70' 0"	200,000 Btu/hr 59 Kw	6'	<u>LINE MINIMUM</u> 5" W.C. NG  11" W.C. LP	4"	324 Lbs
	SPW-JZ-200-60	60' 4"		6'			282 Lbs
	SPW-JZ-200-50	50' 8"		10'			239 Lbs
	SPW-JZ-175-70	70' 0"	175,000 Btu/hr 51 kW	10'	<u>LINE MAXIMUM</u> NG or LP 14" W.C.		324 Lbs
	SPW-JZ-175-60	60' 4"		10'			282 Lbs
	SPW-JZ-175-50	50' 8"		10'			239 Lbs
	SPW-JZ-155-60	60' 4"	150,000 Btu/hr 44 kW	2'	<u>MANIFOLD</u> 3½" W.C. NG		282 Lbs
	SPW-JZ-155-50	50' 8"		2'			239 Lbs
	SPW-JZ-155-40	41' 0"		12'			197 Lbs
	SPW-JZ-130-50	50' 8"	125,000 Btu/hr 37 kW	2'	10" W.C. LP		239 Lbs
	SPW-JZ-130-40	41' 0"		12'			197 Lbs
	SPW-JZ-130-30	31' 4"		13'			154 Lbs
	SPW-JZ-110-50	50' 8"	110,000 Btu/hr 32 kW	2'	½" NPT GAS INLET		239 Lbs
	SPW-JZ-110-40	41' 0"		12'			197 Lbs
	SPW-JZ-110-30	31' 4"		13'			154 Lbs
	SPW-JZ-80-40	41' 0"	80,000 Btu/hr 23 kW	12'	ELECTRICAL 120V, 60 HZ 145 VA		197 Lbs
	SPW-JZ-80-30	31' 4"		8'			154 Lbs
	SPW-JZ-80-20	21' 8"		14'			111 Lbs
	SPW-JZ-60-30	31' 4"	60,000 Btu/Hr 18 kW	8'	THERMOSTAT Factory ready for 24V or 120V thermostat		154 Lbs
	SPW-JZ-60-20	21' 8"		14'			111 Lbs
	SPW-JZ-45-20	21' 8"		14'		111 Lbs	

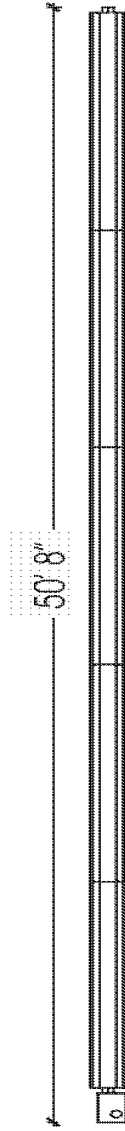
**TOP VIEW OF SPW-JZ TUBE SYSTEMS**

QTY

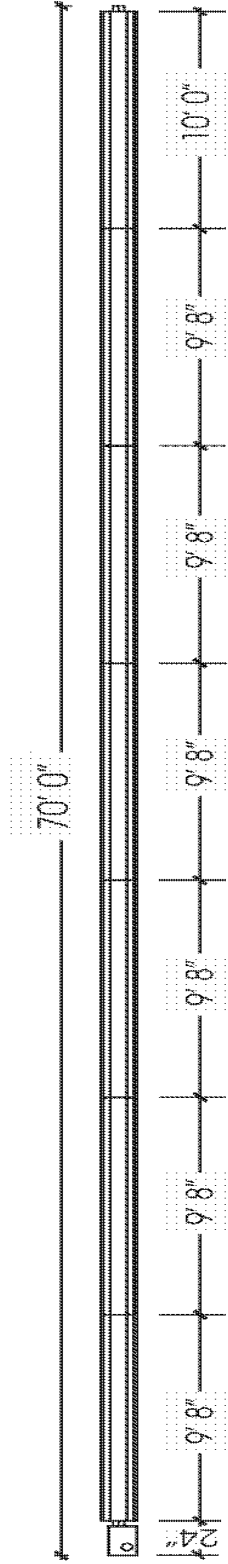










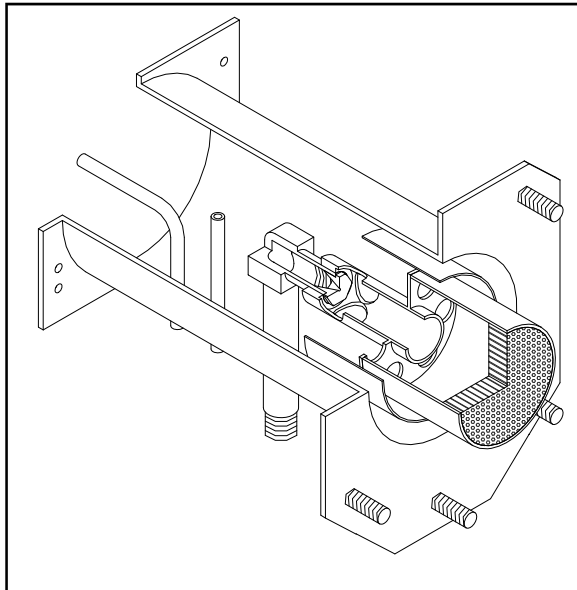


<b><u>COMPONENT QUANTITIES PER HEATER MODEL</u></b>	<b><u>SPW-JZ 45-20</u></b>	<b><u>SPW-JZ 60-20 80-20</u></b>	<b><u>SPW-JZ 60-30 80-30 110-30 130-30</u></b>	<b><u>SPW-JZ 80-40 110-40 130-40 155-40</u></b>	<b><u>SPW-JZ 110-50 130-50 155-50</u></b>	<b><u>SPW-JZ 175-50 200-50</u></b>	<b><u>SPW-JZ 155-60</u></b>	<b><u>SPW-JZ 175-60 200-60</u></b>	<b><u>SPW-JZ 175-70 200-70</u></b>
QUANTITIES ON PROJECT									
SWAGED TUBE(S):									
10' STAINLESS STEEL w/ FLANGE	0	0	0	0	0	1	0	1	1
10' ALUMINIZED STEEL w/ FLANGE	1	1	1	1	1	0	1	0	0
10' ALUMINIZED STEEL	0	0	0	0	0	1	0	1	1
10' ALUMINIZED w/ EMISSIVE COATING	1	1	2	3	4	3	5	4	5
FOCUS SHIELD REFLECTOR (9' 8")	2	2	3	4	5	5	6	6	7
ALUMINIZED COUPLER	1	1	2	3	4	4	5	5	6
END WEBBED PLATE HANGER	2	2	2	2	2	2	2	2	2
TUBE / REFLECTOR WEBBED HANGER	1	1	2	3	4	4	5	5	6
REFLECTOR STABILIZER	6	6	9	12	15	15	18	18	21

**NOTE:**

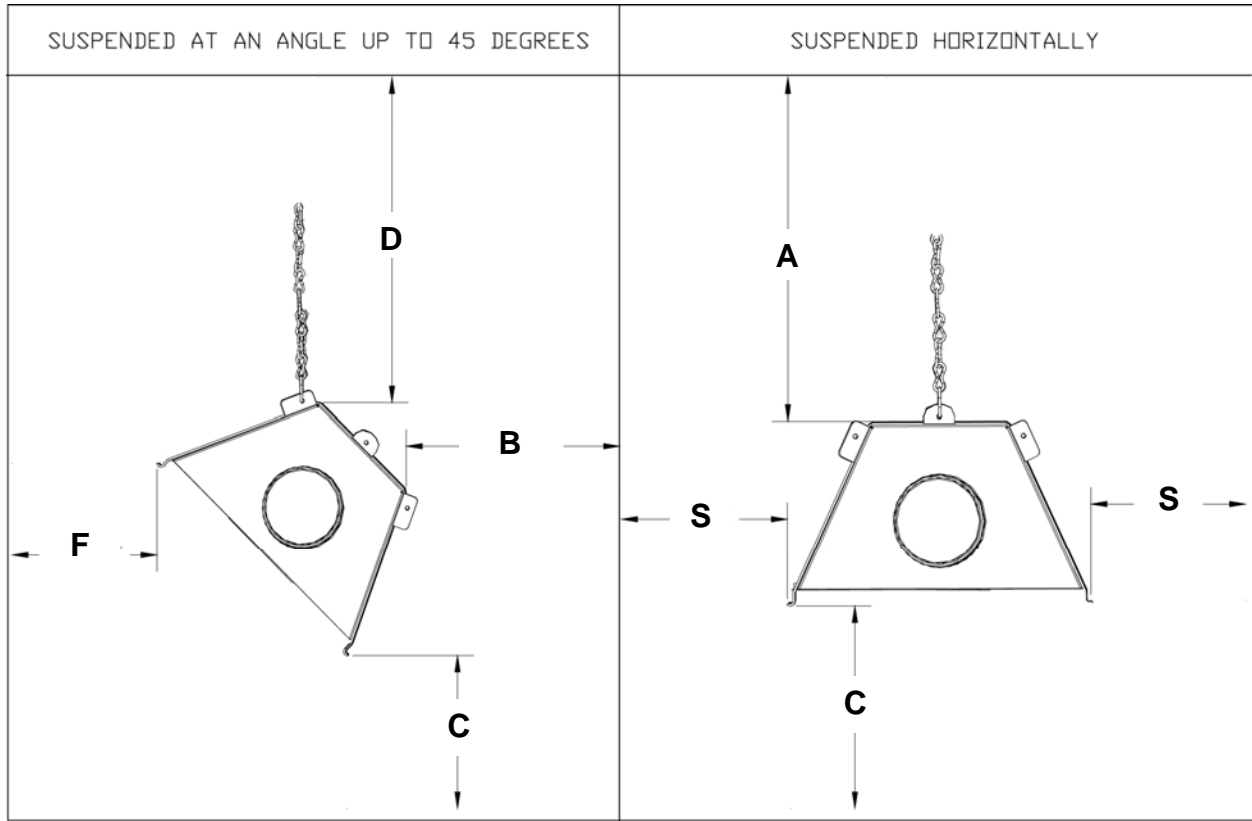
- CANADA: TYPE 1 HOSE GAS CONNECTOR IS INCLUDED WITH EACH BURNER KIT  
1/2" X 30" 45,000 TO 130,000 AND 3/4" X 30" = 150,000 TO 200,000
- USA : FLEXIBLE GAS CONNECTOR IS INCLUDED WITH EACH BURNER KIT  
1/2" X 24" 45,000 TO 130,000 AND 3/4" X 24" = 150,000 TO 200,000

**CUT-AWAY BURNER VIEW**



<b><u>OPTIONAL ACCESSORIES</u></b>	QUANTITY ON THIS PROJECT
90 DEGREE SWAGED ELBOW KIT JS-0508-JZ 1 elbow, 1 reflector cap, 1 webbed hanger, 1 coupler	
180 DEGREE SWAGED ELBOW KIT 2 x JS-0508-JZ 2 x 90 degree elbow kits - 2 webbed hangers, 2 couplers	
WALL VENT TERMINAL 4" (102 mm) JA-0528-XX	
WALL VENT TERMINAL 6" (152 mm) JA-0529-XX	
FLUE VENT TEE (4" x 4" x 6") JA-0514-	
COUPLING KIT FOR VENT TEE JA-0516-SW	
MOISTURE PROOF THERMOSTAT - NEMA 4X JS-0570-XX	
RELAY MULTIPLE HEATERS / 24V THERMOSTAT 2 TO 7 HEATERS PER THERMOSTAT JM-0303-KT	

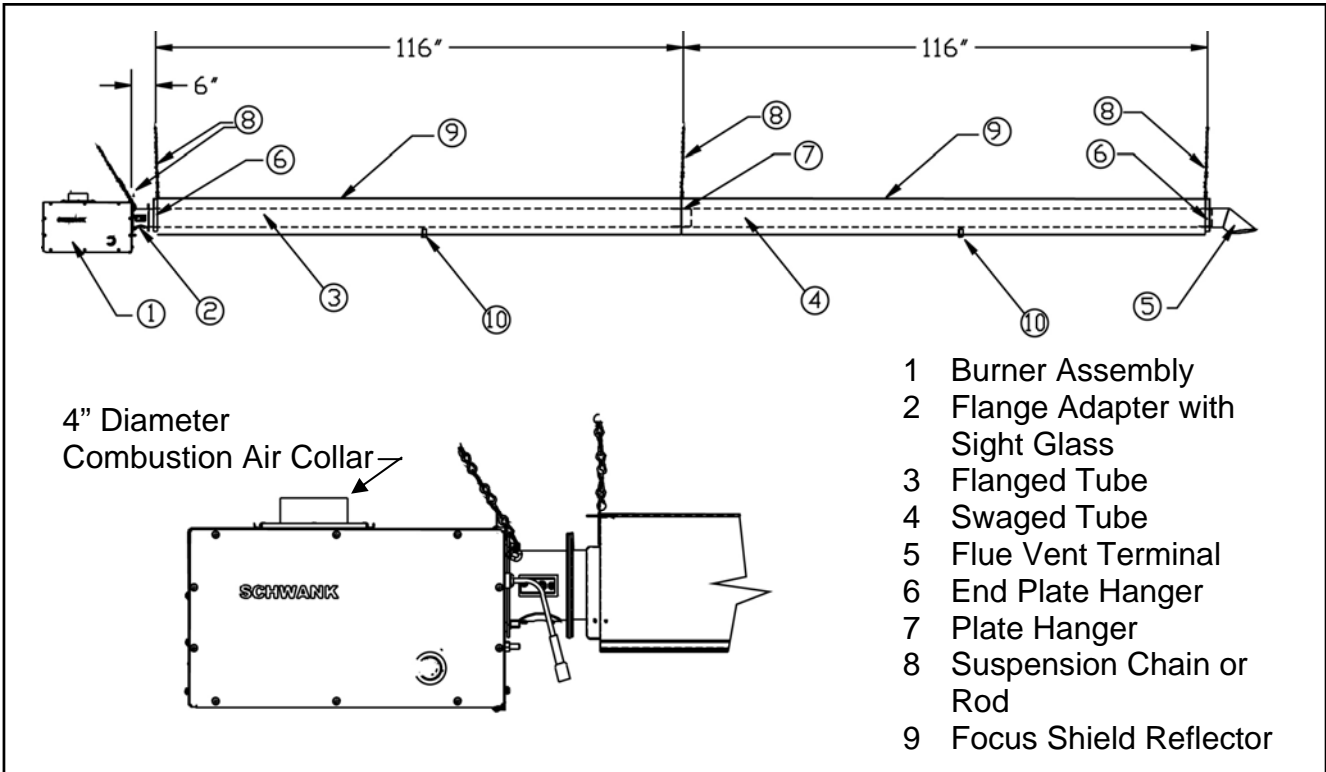
## MINIMUM CLEARANCES TO COMBUSTIBLES



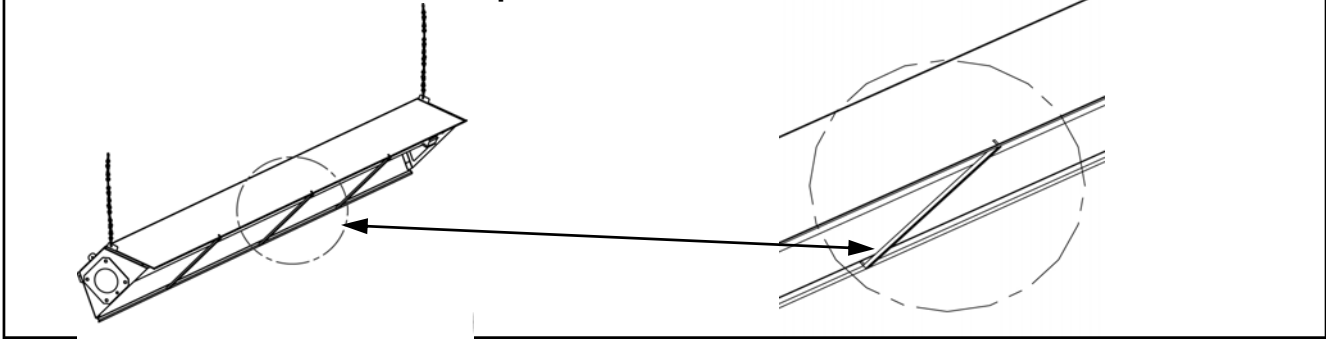
Q T Y	MODEL	SUSPENDED AT AN ANGLE UP TO 45 DEGREES				SUSPENDED HORIZONTALLY		
		D	B	F	C	A	S	C
	SPW-JZ 200	13"	6"	74"	70"	14"	44"	76"
	SPW-JZ 175	12"	6"	72"	68"	13"	42"	74"
	SPW-JZ 155	5.5"	1"	64"	64"	3.5"	22"	70"
	SPW-JZ 130	4.5"	1"	60"	60"	3.3"	21"	65"
	SPW-JZ 110	3.5"	1"	54"	54"	2"	19"	60"
	SPW-JZ 80	3"	1"	23"	38"	1.75"	6"	38"
	SPW-JZ 60	2.5"	1"	17"	34"	1.5"	5.5"	34"
	SPW-JZ 45	2.75"	1"	24"	32"	2.25"	7"	32"

The clearance to combustible material represents the minimum distance that must be maintained between heater and a nearby combustible surface. **The stated clearance to combustibles represents a surface temperature of 90°F (50°C) above room temperature. Some materials such as awnings or plastic may require higher clearances. It is the installer's responsibility to ensure that building materials with a low heat tolerance which may degrade at lower temperature are protected to prevent degradation.**

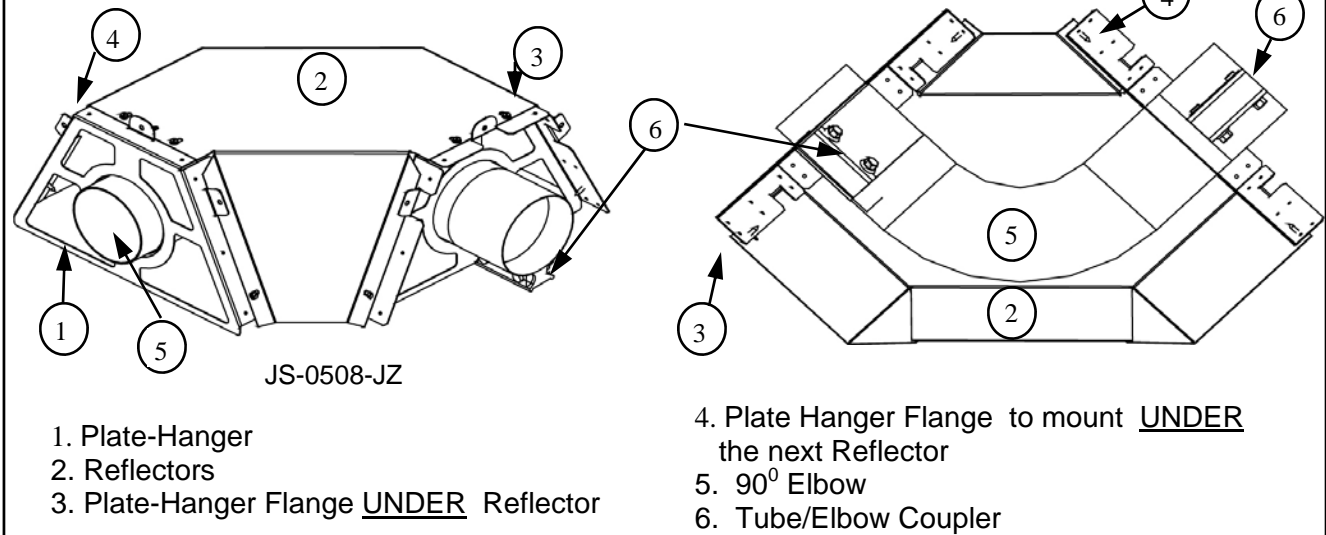
# TYPICAL HANGER & SUPPORT SPACING RECOMMENDATIONS



## REFLECTOR STABILIZER - 3 per Reflector



## PLATE HANGER/ELBOW INSTALLATION



## **COMPONENT DESCRIPTION**

<b>IGNITION</b>	POTTED DIRECT SPARK MODULE
<b>THERMOSTAT OPTIONS</b>	NEMA 4X MOISTURE PROOF THERMOSTAT
	THERMOCONTROL PLUS
	FIELD SUPPLIED THERMOSTAT BY OTHERS
<b>ELBOWS</b>	90 DEGREE ELBOW 4" DIAMETER, 16 GA. ALUMINIZED STEEL, SWAGED ONE END
	180 DEGREE ELBOW 4" DIAMETER, 16 GA. ALUMINIZED STEEL, 19" ON CENTRE (ASSEMBLY OF TWO 90 DEGREE ELBOW KITS)
<b>HEATER TUBE(S) 45 to 155 MBH</b>	COMBUSTION TUBE: FLANGED 10' x 4" DIAMETER 16 GA. ALUMINIZED STEEL SWAGED ONE END SECOND TUBE: 10' x 4" DIAMETER 16 GA. ALUMINIZED STEEL SWAGED ONE END EACH ADDITIONAL TUBE: 10' x 4" DIAMETER, .16 GA. ALUMINIZED STEEL TUBES WITH HIGH
<b>HEATER TUBE(S) 175 &amp; 200 MBH</b>	COMBUSTION TUBE: 10' x 4" DIAMETER, 16 GA. 439 STAINLESS STEEL SWAGED ONE END SECOND TUBE: 10' x 4" DIAMETER, 16 GA. ALUMINIZED STEEL SWAGED ONE END EACH ADDITIONAL TUBE: 10' x 4" DIAMETER, 16 GA. ALUMINIZED STEEL WITH HIGH TEMPERATURE EMISSIVE COATING SWAGED ONE END
<b>COMBINATION GAS VALVE</b>	HONEYWELL 24 VOLT NATURAL GAS: 3 1/2" W.C. MANIFOLD PROPANE: 10" W.C. MANIFOLD
<b>REFLECTORS</b>	REFLECTORS EXTEND 1.5" BELOW BOTTOM OF TUBE SURFACE
	REFLECTORS ARE CLOSED AT START AND END OF EACH STRAIGHT RUN OF TUBES BY MEANS OF END PLATE HANGERS
<b>HANGERS</b>	ONE WEBBED HANGER SUPPORTS EACH 10' OF TUBE, EXCEPT THE FIRST AND LAST TUBES WHICH UTILIZE ONE WEBBED HANGER AND ONE PLATE HANGER AT EACH END .
<b>COUPLING KIT</b>	ALUMINIZED STEEL COUPLER
<b>BURNER HOUSING</b>	POWDER COATED WATER RESISTANT
<b>BURNER</b>	INCORPORATES EFFECTILE CERAMIC BURNER HEAD WITH MINIMUM OF 835 FLAME PORTS
	COMPLETE WITH OPERATION STATUS INDICATOR LIGHTS
<b>TRANSFORMER</b>	120/24VAC; 20VA
<b>SAFETY SWITCHES</b>	TWO SEPARATE AIR PRESSURE SWITCHES SENSE ADEQUATE COMBUSTION AIR AND BLOCKED FLUE
<b>STATUS INDICATOR LIGHTS</b>	GREEN: CALL FOR HEAT; YELLOW: IGNITION TRIAL; RED: FLAME ESTABLISHED
<b>COMBUSTION AIR</b>	COMBUSTION AIR DUCTED DIRECTLY TO INTAKE OF BLOWER
<b>TERMINAL BLOCK</b>	ALL WIRING CONNECTIONS BY MEANS OF COMMON TERMINAL BLOCK; JUMPER: FOR 120V THERMOSTAT; REMOVE FOR 24V THERMOSTAT
<b>ELECTRICAL CORD</b>	4' LENGTH 16/3 ELECTRICAL SUPPLY CORD WITH 3 PIN GROUNDED PLUG