

REPLACEMENT PARTS PRICE LIST

SCHWANK GAS FIRED SERIES
STS / STW / BR

LOW INTENSITY TUBE TYPE INFRA RED HEATER

NOTICE:

Schwank Inc. reserves the right to make changes to equipment and specifications without obligation or notification.

This publication, or parts thereof, may not be reproduced in any form, without prior written consent from Schwank Inc.

Unauthorized use or distribution of this publication is strictly prohibited.

Schwank
5285 Bradco Boulevard
Mississauga, Ontario,
L4W 2A6
Phone: (905) 712-4766
Fax: (905) 712-8336
1-866-361-0417

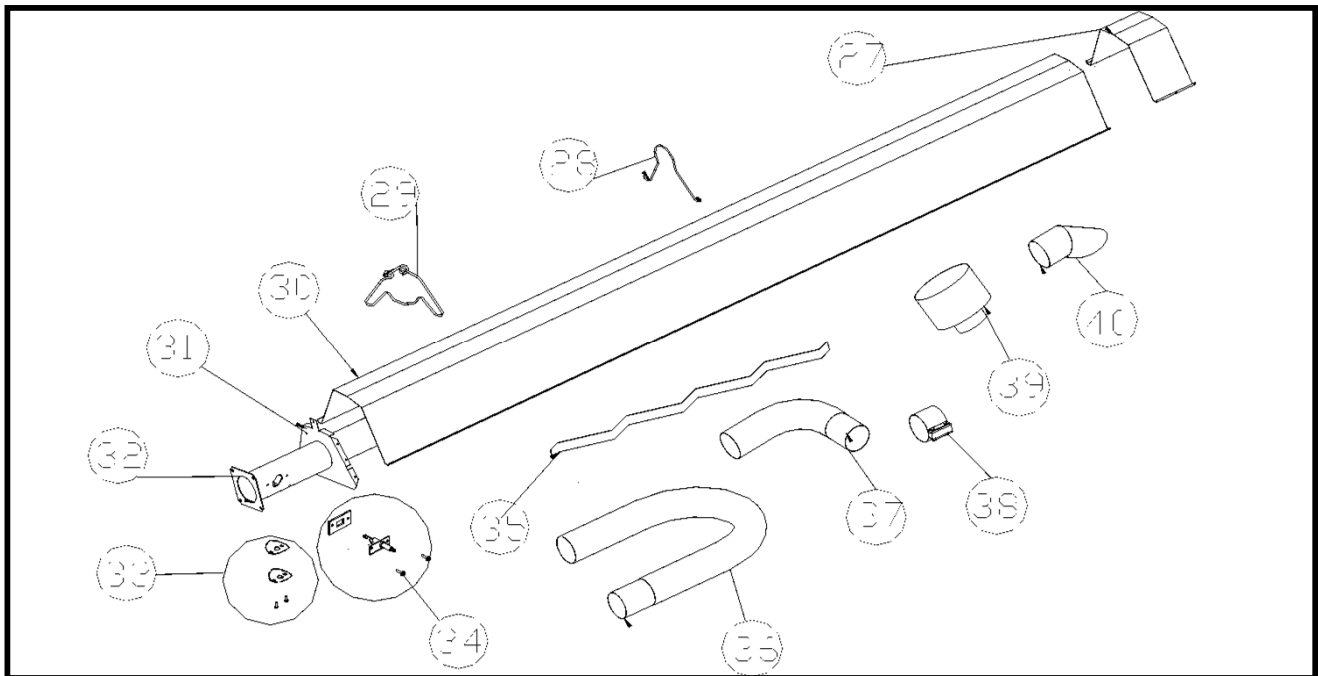
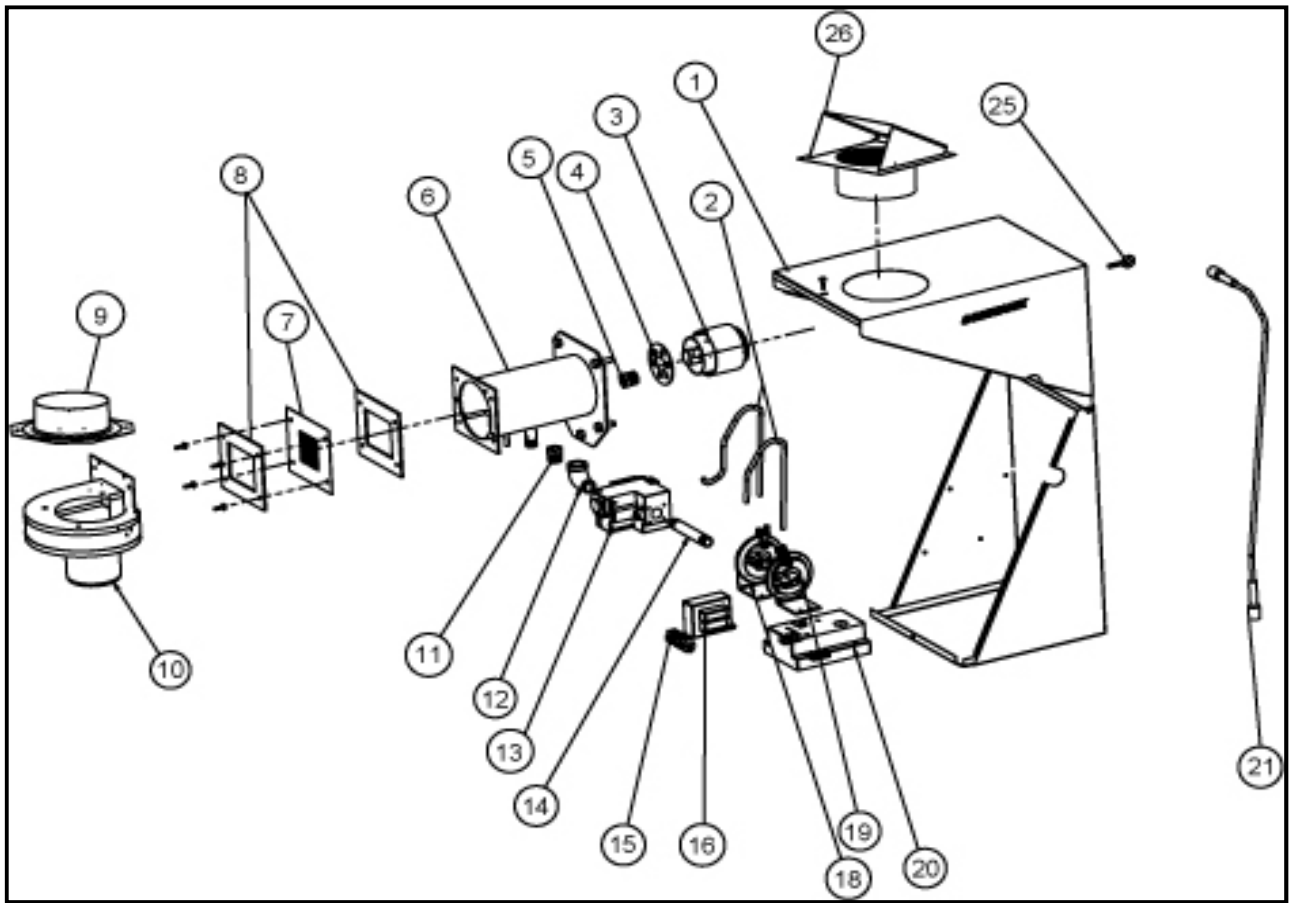
PO Box 988, 2 Schwank Way
Waynesboro, Georgia,
USA 30830
Phone: (706) 554-6191
Fax: (706) 554 9390
1-877-446-3727

e-mail: info@schwankheaters.com

<http://www.schwankheaters.com>



#	PART DESCRIPTION	PART #	PART DESCRIPTION PRIMARY	SUPPLEMENT	
1	BURNER HOUSING	JS-0582-XX	Burner housing coated orange		
2	PRESSURE SWITCH TUBING	JS-0572-XX	Tubing set: 1 x 19"; 1 x 22" PVC STS		
3	BURNER HEAD	JS-0510-XX	Burner head 60NG-80NG & LP	60NG-80	
		JS-0512-XX	Burner head large 110 - 200	110-200	
		JS-0514-XX	Burner head 40, 45, 60LP	40, 45, 60LP	
4	AIR RESTRICTOR RING	JS-0596-AA	Burner head air restr ring 9/32"	45LP, NG	
		JS-0596-XX	Burner head air rest ring 0.375	60LP,60-200NG	
		JS-0597-XX	Burner head air rest ring 0.500	80-200LP	
5	MAIN BURNER ORIFICE	JS-0548-LP	Gas orifice low intensity HR 49 DMS	40 LP	
		JS-0548-NG	Gas orifice low intensity HR 33 DMS	40 NG	
		JS-0547-LP	Gas orifice low intensity HR 47 DMS	45 LP	
		JS-0547-NG	Gas orifice low intensity HR 31 DMS	45 NG	
		JS-0550-LP	Gas orifice low intensity HR 43 DMS	60 LP	
		JS-0550-NG	Gas orifice low intensity HR 29 DMS	60 NG	
		JS-0551-LP	Gas orifice low intensity HR 38 DMS	80 LP	
		JS-0551-NG	Gas orifice low intensity HR 24 DMS	80 NG	
		JS-0552-LP	Gas orifice low intensity HR 32 DMS	110 LP	
		JS-0552-NG	Gas orifice low intensity HR 14 DMS	110 NG	
		JS-0553-LP	Gas orifice low intensity HR 30 DMS	130 LP	
		JS-0553-NG	Gas orifice low intensity HR 6 DMS	130 NG	
		JS-0554-LP	Gas orifice low intensity HR 29 DMS	155 LP	
		JS-0554-NG	Gas orifice low intensity HR 2 DMS	155 NG	
		JS-0545-LP	Gas orifice low intensity HR 28 DMS	175 LP	
		JS-0545-NG	Gas orifice low intensity HR "B" DMS	175 NG	
		JS-0546-LP	Gas orifice low intensity HR 24 DMS	200 LP	
		JS-0546-NG	Gas orifice low intensity HR 1/4 inch	200 NG	
6	OUTER BURNER	JS-0504-XX	Outer burner assy		
7	EQUALIZER PLATE	JS-0593-XA	Outlet equalizer plate STS 40, 45		
		JS-0593-XX	Outlet equalizer plate 60 to 200		
8	BLOWER GASKET	JS-0578-XX	Outlet blower gasket (included with Blower)	each	
9	AIR FLANGE & RESTRICTOR RINGS	JS-0532-AF	Combustion Air Flange		
	(Order Separately)	JS-0594-XX	Blower restrictor ring STS 40, 45, 60	40, 45, 60	
		JS-0595-XX	Blower restrictor ring STS 80	80	
10	BLOWER	JS-0579-XK	STS Blower Assy Kit c/w Gasket Set	STS, BR: 45-200	
			STW Blower Assy Kit c/w Gasket Set	STW: 45	
		JS-0579-AK	STW Blower Assy Kit c/w Gasket Set	STW: 60-200	
11	MANIFOLD BUSHING	JM-0589-XX	Manifold bushing 3/8" to 1/2"		
12	90 DEGREE ELBOW FITTING 1/2"	JS-0588-XX	Street elbow fitting 90 deg		
13	GAS VALVE:	N.G.	JL-0701-XX	Valve gas comb VR8205A2065 5" WC	Nat Gas
		L.P.	JL-0703-AA	Valve gas comb VR8205A2081 10" WC	Propane
14	4" NIPPLE	JS-0590-XX	Nipple 4"		
15	TERMINAL BLOCK	JA-0580-XX	Terminal block		
16	STEP DOWN TRANSFORMER	JA-0775-XX	Transformer 120/24V, 20VA Direct Spark		
		JB-0575-XX	Transformer 120/24V, 50VA Hot Surface		
18	COMBUSTION AIR PROVING SWITCH	JS-0575-XX	Air proving switch .20" WC	40, 45 & 60	
		JS-0576-XX	Air proving switch .48" WC	80, 110, 130, 155	
19	BLOCKED FLUE PROVING SWITCH	JS-0577-XX	Blocked flue switch .68" WC	(NOT AVAILABLE)	
		JS-0577-YY	Blocked flue switch .90" WC	Replaces JS-0577-XX and JS-0577-AA	
20	IGNITION CONTROL: SPARK	JA-0568-RK	Control DSI 24VAC S87J-1034 Kit	Replaces STS /Synetek DS1070C / Fenwal Triton 2461D	
	Hot Surface	JB-0568-XX	Potted H.S.I. Control: STW & BR Series	STW; BR	
21	IGNITION CABLE Spark	JS-0518-XX	Wire hi voltage (24")	Spark	
22	WIRING KIT (not shown)	JW-SCXX-HX	Wiring harness CDN STS		
25	EYE BOLT	JF-1012-EB	Eye Bolt		
26	COMBUSTION AIR INLET	JS-0532-VC	Fresh air intake vent cap		



#	PART DESCRIPTION	PART #	PART DESCRIPTION PRIMARY	SUPPLEMENT
27	REFLECTOR SLIDE	JS-0520-AZ-P	Reflector slide 6" STSp	
28	WIRE STABILIZER	JS-0506-XX	Reflector stabilizer	only 20'-30'
29	WIRE HANGER	JS-0505-WR	Wire hanger deep reflector	
30	FOCUS SHIELD REFLECTOR	JS-0503-SH-P	Aluminized STS reflector 24" x 114"	10 ft: 40, 45
	(120" Reflector discontinued = substitute 116")	JS-0503-ST-P	Aluminized STSp reflector 24" x 116"	20 to 70 ft
31	PLATE HANGER	JS-0505-ND	STS plate hanger/ reflector cap	
32	HEAT EXCHANGER TUBES	JS-0501-XX-P	Tube flanged aluminized	60-155
		JS-0499-XX-P	Tube flanged ALUMATHERM	175-200
		JS-0501-PA-P	Tube flanged aluminized painted	40, 45
		JS-0501-CW-P	Tube aluminized flanged c/w sensor hole	STW, BR
		JS-0511-XX-P	Painted aluminized tube w/o flange	STW
		JS-0515-XX-P	Painted steel tube 10'	STS
33	SIGHT GLASS ASSEMBLY	JS-0536-XX	Sight glass assy tube hr	
34	IGNITER KIT	DSI JA-0571-KT	DSI Igniter & Gasket Kit	STS Spark
		HSI JB-0570-KT	Hot Surface Ignitor & Gasket Kit	STW, BR Hot Surface
		JA-0569-XX	Flame Sensor	STW, BR
35	TURBULATOR (see table in Manual)	JS-0533-ST	7' Wave Turbulator	60-130
		JS-0533-LG	Turbulator 10'	60-200
		JS-0534-SS	Turbulator 5' ~ 45000	45
36	ELBOW 4"	JA-0513-EL-P	Elbow 180 deg	
37	ELBOW 4"	JA-0508-EL-P	Elbow 90 deg	
38	COUPLER	JA-0516-AA	4" Tube Coupler Kit	
39	VENT CAP	JA-0530-XX	Vent cap 4" roof	
40	VENT CAP	JA-0528-XX	Horizontal wall 4" vent terminal	
41	COMPLETE BURNER KIT (STSp Model)	JS-S045-BL	Burner kit 45M LP STSp	
	(not shown)	JS-S045-BN	Burner kit 45M NG STSp	
		JS-S060-BL	Burner kit 60M LP STSp	
		JS-S060-BN	Burner kit 60M NG STSp	
		JS-S080-BL	Burner kit 80M LP STSp	
		JS-S080-BN	Burner kit 80M NG STSp	
		JS-S110-BL	Burner kit 110M LP STSp	
		JS-S110-BN	Burner kit 110M NG STSp	
		JS-S130-BL	Burner kit 130M LP STSp	
		JS-S130-BN	Burner kit 130M NG STSp	
		JS-S155-BL	Burner kit 155M LP STSp	
		JS-S155-BN	Burner kit 155M NG STSp	
		JS-S175-BL	Burner kit 175M LP STSp	
		JS-S175-BN	Burner kit 175M NG STSp	
		JS-S200-BL	Burner kit 200M LP STSp	
		JS-S200-BN	Burner kit 200M NG STSp	

* PLEASE SEE YOUR CURRENT PRICE LIST