

REPLACEMENT PARTS PRICE LIST

SCHWANK GAS FIRED SERIES  
**STS-p-WP**

LOW INTENSITY TUBE TYPE INFRA RED HEATER

**NOTICE:**

*Schwank Inc. reserves the right to make changes to equipment and specifications without obligation or notification.*

*This publication, or parts thereof, may not be reproduced in any form, without prior written consent from Schwank Inc.*

*Unauthorized use or distribution of this publication is strictly prohibited.*

Schwank  
5285 Bradco Boulevard  
Mississauga, Ontario,  
L4W 2A6  
Phone: (905) 712-4766  
Fax: (905) 712-8336  
1-866-361-0417

PO Box 988, 2 Schwank Way  
Waynesboro, Georgia,  
USA 30830  
Phone: (706) 554-6191  
Fax: (706) 554 9390  
1-877-446-3727

e-mail: [info@schwankheaters.com](mailto:info@schwankheaters.com)

<http://www.schwankheaters.com>

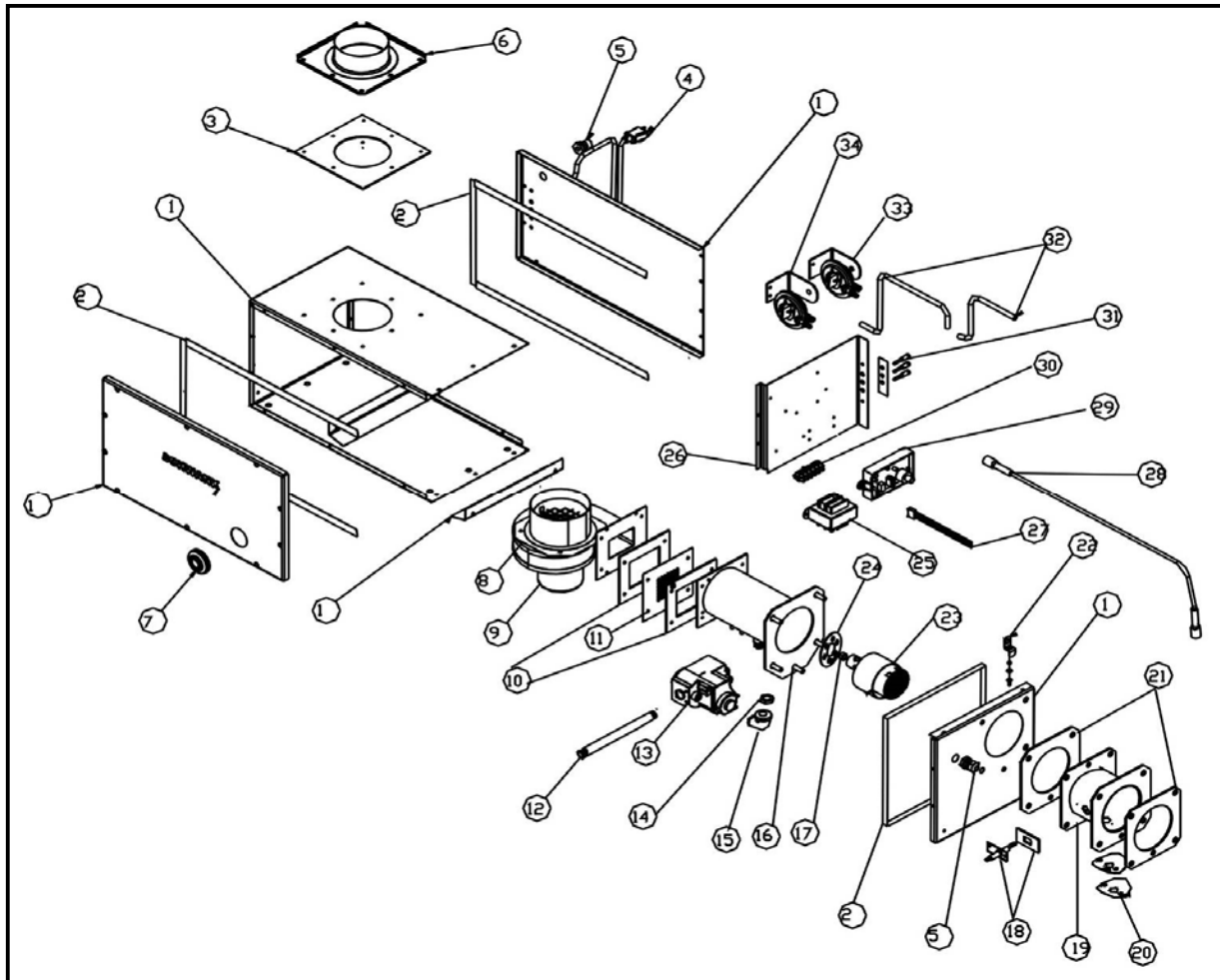


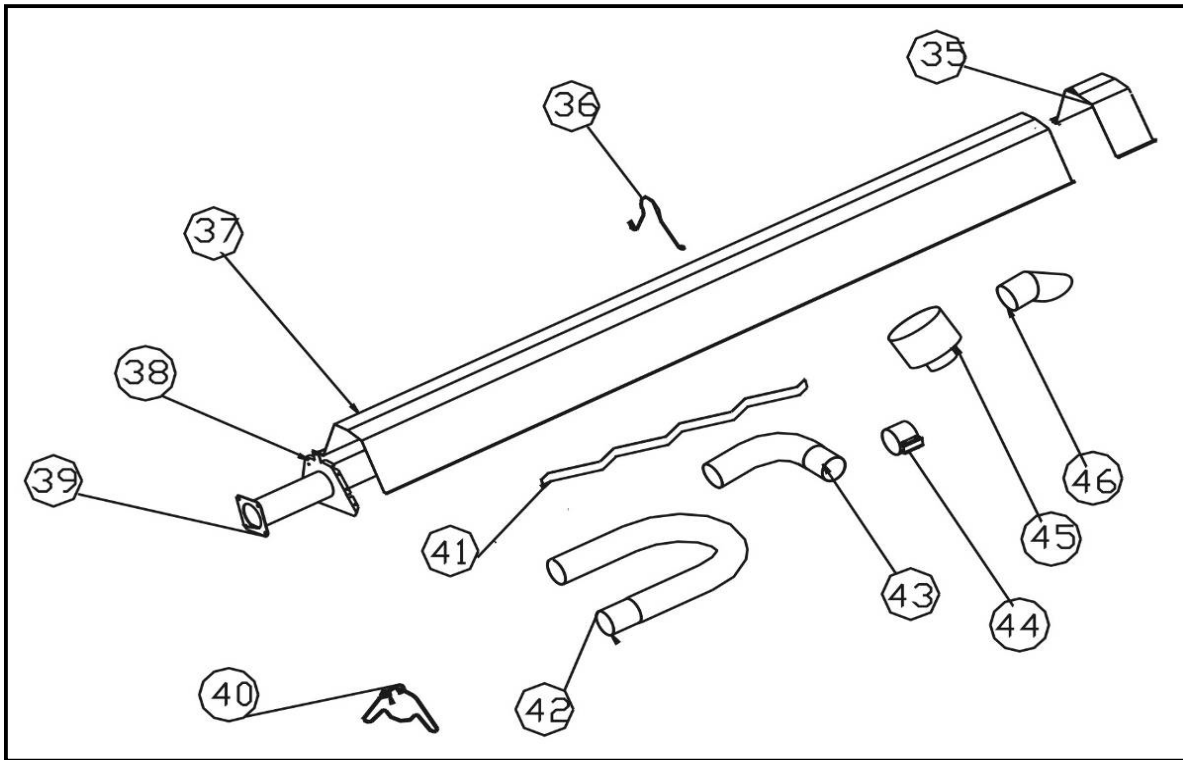
#	PART DESCRIPTION	PART #	PART DESCRIPTION PRIMARY	SUPPLEMENT
1	BURNER HOUSING	JS-0582-WP	Burner housing harsh environment	
2	BURNER HOUSING GASKET SET	JS-0591-WP	Housing gasket set ( WP )	
3	AIR INTAKE GASKET	JS-0601-WP	Air intake gasket - ( WP )	each
4	ELECTRICAL CORD	JB-0567-XX	Electrical cord	
5	SEALTIGHT CONNECTOR	JW-0875-WP	Connector liquid tight	
6	COMBUSTION AIR INLET	JS-0583-WP	Combustion air inlet	
7	WATERPROOF GROMMET	JF-9018-CO	Water proof butt connectors	
8	COMBUSTION AIR INLET FLANGE	JS-0594-ST	STS-p 60 blower rest. ring c/w flange	
		JS-0595-SP	STS-p 80 blower rest. ring c/w flange	
		JS-0595-AA	STS-p 110-200 blower rest. ring c/w flange	
9	BLOWER	JS-0579-AA	STS-p blower assembly	
10	BLOWER GASKET	JS-0578-XX	Outlet blower gasket	each
11	EQUALIZER PLATE	JS-0593-XX	Outlet equalizer plate (60 to 200)	
12	4" NIPPLE	JS-0590-XX	4" nipple	
13	GAS VALVE	JL-0701-AA	Comb. gas valve 3.5" W.C 24VAC VR8 NG	
		JL-0703-AA	Comb. gas valve 10" W.C 24VAC VR8 LP	
14	MANIFOLD BUSHING	JM-0589-XX	Manifold bushing	
15	90 DEGREE ELBOW FITTING 1/2"	JS-0588-XX	90 degree street elbow fitting	
16	OUTER BURNER	JS-0504-WP	Outer burner assembly	
17	MAIN BURNER ORIFICE	JS-0742-DM	Gas orifice low intensity HTR 42 DMS	60 LP
		JS-0725-DM	Gas orifice low intensity HTR 25 DMS	60 NG
		JS-0736-DM	Gas orifice low intensity HTR 36 DMS	80 LP
		JS-0718-DM	Gas orifice low intensity HTR 18 DMS	80 NG
		JS-0731-DM	Gas orifice low intensity HTR 31 DMS	110 LP
		JS-0752-MM	Gas orifice low intensity HTR 5.2 mm	110 NG
		JS-0729-DM	Gas orifice low intensity HTR 29 DMS	130 LP
		JS-0758-MM	Gas orifice low intensity HTR 5.8 mm	130 NG
		JS-0714-IN	Gas orifice low intensity HTR 9/64 inch	155 LP
		JS-0725-IN	Gas orifice low intensity HTR 1/4 inch	155 NG
		JS-0721-DM	Gas orifice low intensity HTR 21 DMS	175 LP
		JS-0767-MM	Gas orifice low intensity HTR 6.7 mm	175 NG
		JS-0719-DM	Gas orifice low intensity HTR 19 DMS	200 LP
		JS-0730-IN	Gas orifice low intensity HTR 19/64 inch	200 NG
18	IGNITER KIT	JA-0571-KT	Igniter & gasket kit / DSI tube heater	
19	FLANGE ADAPTER	JS-0501-ZZ	4" STS-p flanged adapter	60-200
20	SIGHT GLASS ASSEMBLY	JS-0536-XX	STS sight glass assembly	
21	FLANGE GASKET	JS-0591-XX	Flange gasket	each
22	BURNER STABILIZING BRACKET	JS-0582-BR	Burner suspension bracket	
23	BURNER HEAD	JS-0510-LP	Burner head - (60-80)	60-80
		JS-0512-XX	Burner head - (110-200)	110-200
24	AIR RESTRICTOR RING	JS-0596-XX	Burner head air rest. ring .375	60LP,60-200NG
		JS-0597-XX	Burner head air rest. ring .500	80-200LP

\* PLEASE SEE YOUR CURRENT PRICE LIST

EXPLODED VIEW OF BURNER ON NEXT PAGE

#	PART DESCRIPTION	PART #	PART DESCRIPTION PRIMARY	SUPPLEMENT
25	STEP DOWN TRANSFORMER	JA-0775-XX	Transformer 120/24V, 20VA AT120B1028	
26	COMPONENT PLATE	JS-0581-SE	component mounting plate	
27	IGNITION CONTROL WIRING HARNESS	JB-0568-WH	3 Try potted spark DSI control wiring harness	
28	IGNITION CABLE	JS-0518-XX	Hi voltage wire (24")	
29	IGNITION CONTROL	JB-0568-AA	Control - DSI 3 Try potted Gasliter 50N	
			50N-24-3-30-20-30-30,24VAC 1,1A	
29a	WIRING KIT (not shown)	JW-WXXX-HX	Wiring kit harsh environment	
30	TERMINAL BLOCK	JM-0455-DD	Terminal block	
31	INDICATOR LAMPS	JW-0519-AM	STS-p amber indicator light	
		JW-0519-GR	STS-p green indicator light	
		JW-0519-RE	STS-p red indicator light	
32	PRESSURE SWITCH TUBING	JS-0572-SE	P.V.C. tubing set (2 x 20")	
33	COMBUSTION AIR PROVING SWITCH	JS-0576-YY	Air proving switch .30" w.c.	60
		JS-0576-XX	Air proving switch .48" w.c.	80
		JS-0575-YY	Air proving switch .65" w.c.	110-155
		JS-0576-AA	Air proving switch .85" w.c.	175-200
34	BLOCKED FLUE PROVING SWITCH	JS-0577-SS	Blocked flue switch .58" w.c.	60
		JS-0577-YY	Blocked flue switch .90" w.c.	80-155
		JS-0577-ZZ	Blocked flue switch 1.41" w.c.	175-200





#	PART DESCRIPTION	PART #	PART DESCRIPTION PRIMARY	SUPPLEMENT
35	REFLECTOR SLIDE	JS-0520-AZ-P	STS-p 6" reflector slide	
36	WIRE STABILIZER	JS-0506-XX	Reflector stabilizer	
37	REFLECTOR	JS-0502-SR	Reflector 24" x 112.5"	
		JS-0503-ST-P	Aluminized reflector 24" x 116"	
38	PLATE HANGER	JS-0505-AL	Aluminized end plate hanger	
39	LOW INTENSITY TUBE	JA-0501-SW-P	Aluminized tube,flanged,swaged, no ports	60-155
		JA-0499-SW-P	Alumatherm tube,flanged,swaged, no ports	175-200
		JS-0501-SW	Aluminized tube 10' swaged	175-200
		JS-0511-SW-P	Painted aluminized tube swaged	
40	WIRE HANGER	JS-0505-WR	Deep reflector wire hanger	
41	TURBULATOR (see Table 4 in STSp- WP- installation manual)	JS-0533-SH	Short turbulator 4'	60-130
		JS-0533-LG	Turbulator 10'	60-200
42	ELBOW 4"	JA-0513-SW	180 degree elbow	
43	ELBOW 4"	JA-0508-SW	90 degree elbow	
44	COUPLER	JA-0516-SW	4" swaged tube coupler torcrite	
45	VENT CAP	JA-0530-XX	4" roof vent cap	
46	VENT CAP	JA-0528-XX	4" horizontal wall vent terminal	
47	COMPLETE BURNER KIT	JS-060P-BL	STS-p WP burner kit 60M BTU LP	
	(not shown)	JS-060P-BN	STS-p WP burner kit 60M BTU NG	
		JS-080P-BL	STS-p WP burner kit 80M BTU LP	
		JS-080P-BN	STS-p WP burner kit 80M BTU NG	
		JS-110P-BL	STS-p WP burner kit 110M BTU LP	
		JS-110P-BN	STS-p WP burner kit 110M BTU NG	
		JS-130P-BL	STS-p WP burner kit 130M BTU LP	
		JS-130P-BN	STS-p WP burner kit 130M BTU NG	
		JS-155P-BL	STS-p WP burner kit 155M BTU LP	
		JS-155P-BN	STS-p WP burner kit 155M BTU NG	
		JS-175P-BL	STS-p WP burner kit 175M BTU LP	
		JS-175P-BN	STS-p WP burner kit 175M BTU NG	
		JS-200P-BL	STS-p WP burner kit 200M BTU LP	
		JS-200P-BN	STS-p WP burner kit 200M BTU NG	

\* PLEASE SEE YOUR CURRENT PRICE LIST

OP ROWP BX-05A  
 STS-p-WP RPL  
 RD: APRIL, 2004  
 RL: 5  
 KH