

REPLACEMENT PARTS PRICE LIST

SCHWANK GAS FIRED SERIES
STS-p-UA

LOW INTENSITY TUBE TYPE INFRA RED HEATER

NOTICE:

Schwank Inc. reserves the right to make changes to equipment and specifications without obligation or notification.

This publication, or parts thereof, may not be reproduced in any form, without prior written consent from Schwank Inc.

Unauthorized use or distribution of this publication is strictly prohibited.

Schwank
5285 Bradco Boulevard
Mississauga, Ontario,
L4W 2A6
Phone: (905) 712-4766
Fax: (905) 712-8336
1-866-361-0417

PO Box 988, 2 Schwank Way
Waynesboro, Georgia,
USA 30830
Phone: (706) 554-6191
Fax: (706) 554 9390
1-877-446-3727

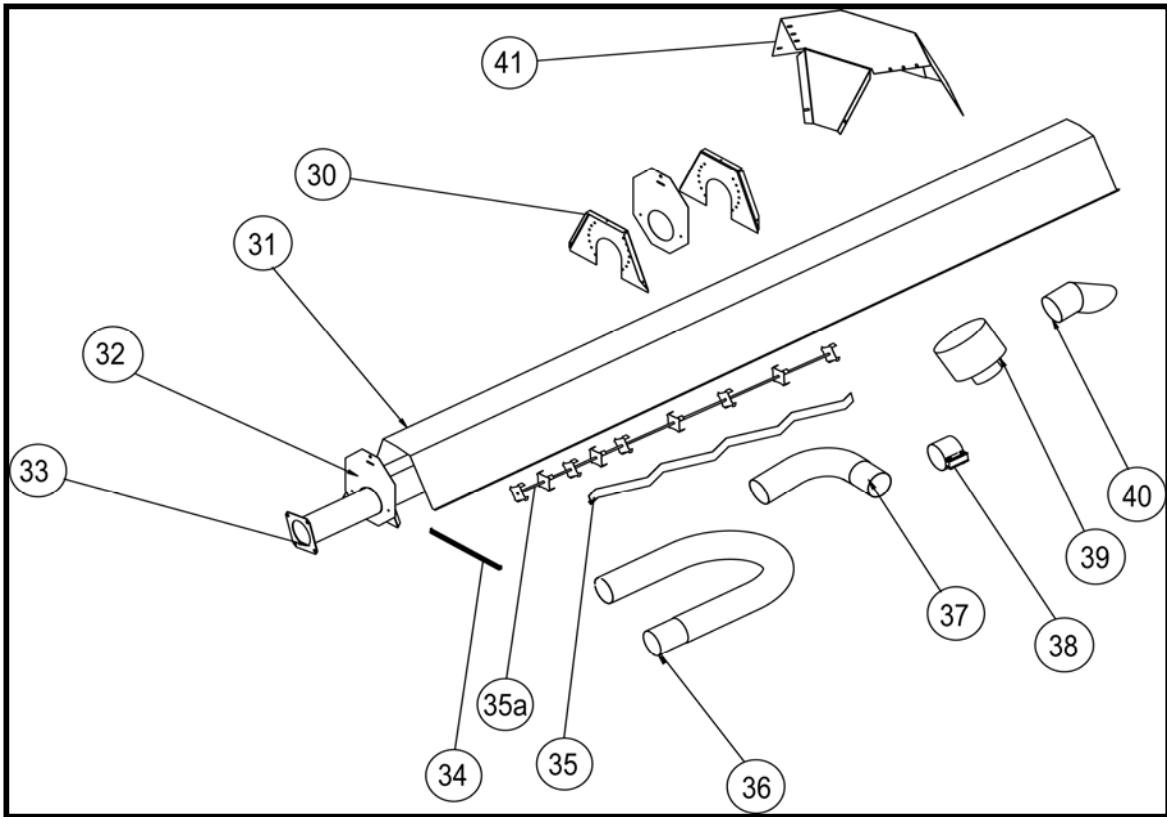
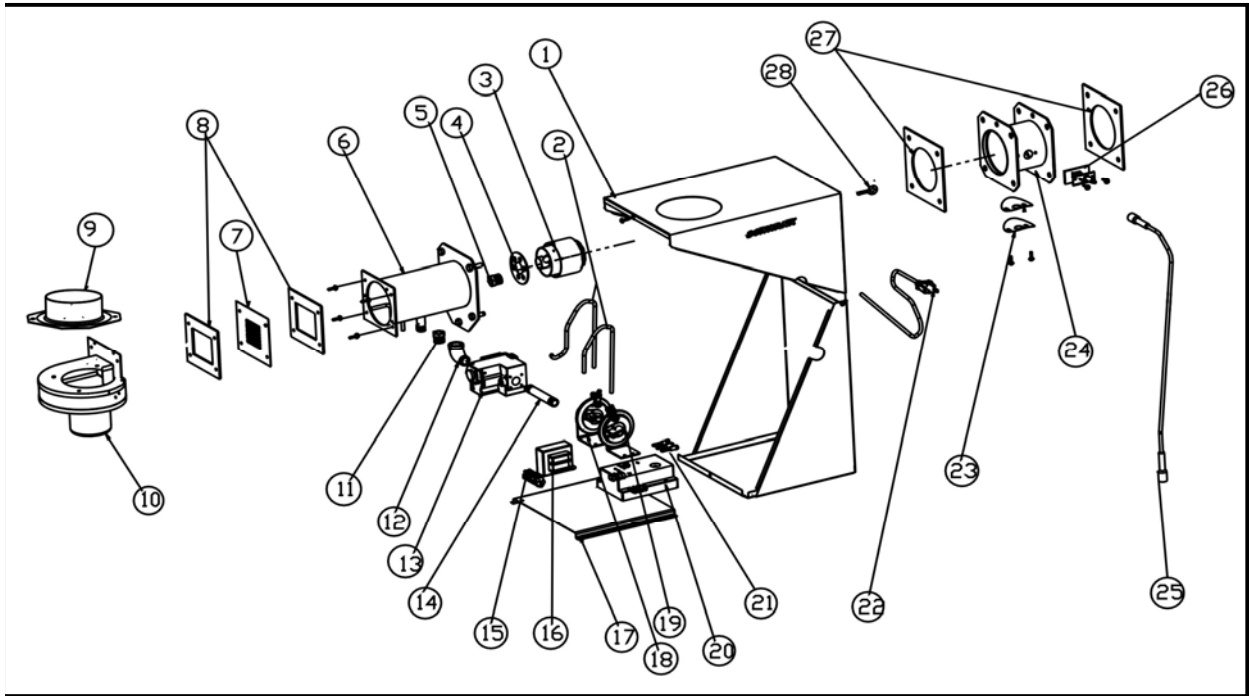
e-mail: info@schwankheaters.com

<http://www.schwankheaters.com>



#	PART DESCRIPTION	PART #	PART DESCRIPTION PRIMARY	SUPPLEMENT
1	BURNER HOUSING	JS-0582-XX	Burner housing coated orange	
2	PRESSURE SWITCH TUBING	JS-0572-SE	Tubing set 2 x 20" PVC SE	
3	BURNER HEAD	JS-0510-LP	Burner head 45-80	45-80
		JS-0512-XX	Burner head large	110-200
4	AIR RESTRICTOR RING	JS-0596-AA	Burner head air restr ring 9/32"	45LP, NG
		JS-0596-XX	Burner head air rest ring 0.375	60LP,60-200NG
		JS-0597-XX	Burner head air rest ring 0.500	80-200LP
5	MAIN BURNER ORIFICE	JS-0748-DM	Gas orifice low intensity HR 48 DMS	45 LP
		JS-0730-DM	Gas orifice low intensity HR 30 DMS	45 NG
		JS-0742-DM	Gas orifice low intensity HR 42 DMS	60 LP
		JS-0725-DM	Gas orifice low intensity HR 25 DMS	60 NG
		JS-0736-DM	Gas orifice low intensity HR 36 DMS	80 LP
		JS-0718-DM	Gas orifice low intensity HR 18 DMS	80 NG
		JS-0731-DM	Gas orifice low intensity HR 31 DMS	110 LP
		JS-0752-MM	Gas orifice low intensity HR 5.2 mm	110 NG
		JS-0729-DM	Gas orifice low intensity HR 29 DMS	130 LP
		JS-0758-MM	Gas orifice low intensity HR 5.8 mm	130 NG
		JS-0714-IN	Gas orifice low intensity HR 9/64 inch	155 LP
		JS-0725-IN	Gas orifice low intensity HR 1/4 inch	155 NG
		JS-0721-DM	Gas orifice low intensity HR 21 DMS	175 LP
		JS-0767-MM	Gas orifice low intensity HR 6.7 mm	175 NG
		JS-0719-DM	Gas orifice low intensity HR 19 DMS	200 LP
		JS-0730-IN	Gas orifice low intensity HR 19/64 inch	200 NG
6	OUTER BURNER	JS-0504-XX	Outer burner assy	
7	EQUALIZER PLATE	JS-0593-LP	Outlet equalizer plate 45 LP	
		JS-0593-NG	Outlet equalizer plate 45 NG	
		JS-0593-XX	Outlet equalizer plate 60 to 200	
8	BLOWER GASKET	JS-0578-XX	Outlet blower gasket	each
9	AIR FLANGE	JS-0594-ST	Blower restr ring flange STSp 60	45 NG & 60
		JS-0595-SP	Blower restr ring STSp 80	80
		JS-0595-AA	Blower restr ring STSp 110-200	45LP & 110-200
10	BLOWER	JS-0579-AA	Blower assy tube burner	
11	MANIFOLD BUSHING	JM-0589-XX	Manifold bushing	
12	90 DEGREE ELBOW FITTING 1/2"	JS-0588-XX	Street elbow fitting 90 deg	
13	GAS VALVE	JL-0701-AA	Valve gas comb 3.5" WC 24VAC VR8 NG	
		JL-0703-AA	Valve gas comb 10" WC 24VAC VR8 LP	
14	4" NIPPLE	JS-0590-XX	Nipple 4"	
15	TERMINAL BLOCK	JM-0455-DD	Terminal block	
16	STEP DOWN TRANSFORMER	JA-0775-XX	Transformer 120/24V, 20VA AT120B1028	
17	COMPONENT PLATE	JS-0581-SE	Component mounting plate SE	
18	COMBUSTION AIR PROVING SWITCH	JS-0576-XX	Switch air proving 0.48" WC	45 & 80
		JS-0576-YY	Switch air proving 0.30" WC	60
		JS-0575-YY	Switch air proving 0.65" WC	110-155
		JS-0576-AA	Switch air proving 0.85" WC	175-200
19	BLOCKED FLUE PROVING SWITCH	JS-0577-ZZ	Switch flue blocked 1.41" WC	45,175-200
		JS-0577-SS	Switch flue blocked 0.58" WC	60
		JS-0577-YY	Switch flue blocked 0.90" WC	80-155
20	IGNITION CONTROL	JA-0568-XX	Control DSI 24VAC S87J-1034	
21	INDICATOR LAMPS	JW-0519-AM	Indicator light amber STSp	
		JW-0519-GR	Indicator light green STSp	
		JW-0519-RE	Indicator light red STSp	
22	ELECTRICAL CORD	JB-0567-XX	Cord electrical 4'	
23	SIGHT GLASS ASSEMBLY	JS-0536-XX	Sight glass assy tube hr	
24	FLANGED ADAPTER	JS-0501-YY	Flanged adapter 4" STSp 45	45
		JS-0501-ZZ	Flanged adapter 4" STSp 60-200	60-200
25	IGNITION CABLE	JS-0518-XX	Wire hi voltage (24")	
26	IGNITER KIT	JA-0571-KT	Gasket kit DSI igniter tube	
27	FLANGED GASKET	JS-0591-XX	Gasket buerner tube 40-45	each
28	EYE BOLT	JF-1012-EB	Bolt eye	
29	WIRING KIT (not shown)	JW-SUXX-HX	Wiring harness US STSp	

* PLEASE SEE YOUR CURRENT PRICE LIST



#	PART DESCRIPTION	PART #	PART DESCRIPTION PRIMARY	SUPPLEMENT
30	REFLECTOR END PLATE	JS-0505-PR	Reflector end plate	each
31	REFLECTOR	JS-0502-SR	Reflector 24" x 112.5"	each
32	PLATE HANGER	JS-0505-PH	Plate hanger	each
33	LOW INTENSITY TUBE	JA-0501-PA-P	Tube flanged aluminized sw no ports	45
		JA-0501-SW-P	Tube flanged aluminized sw no ports	60-155
		JA-0499-SW-P	Tube flanged alumatherm sw no ports	175-200
		JS-0501-SW	Tube aluminized sw 10'	175-200
		JS-0515-SW-P	Tube steel coated sw 10'	each
34	REFLECTOR BRACE	JS-0506-RB	Reflector brace	each
35	TURBULATOR	JS-0533-SH	Turbulator short 4'	60-130
	(see STS-p installation/operating manual)	JS-0533-LG	Turbulator 10'	60-200
35a		JS-0534-SS	Turbulator 5' 45000 8 plates	45
36	ELBOW 4"	JA-0513-SW	Elbow 180 deg	
37	ELBOW 4"	JA-0508-SW	Elbow 90 deg	
38	COUPLER	JA-0516-SW	Coupler 4" sw tube	each
39	VENT CAP	JA-0530-XX	Vent cap 4" roof	
40	VENT CAP	JA-0528-XX	Horizontal wall 4" vent terminal	
41	90° ELBOW REFLECTOR	JA-0503-US		
42	COMPLETE BURNER ASSEMBLY	JS-S045-AL	Burner kit 45M LP STSp	
	(not shown)	JS-S045-AN	Burner kit 45M NG STSp	
		JS-S060-AL	Burner kit 60M LP STSp	
		JS-S060-AN	Burner kit 60M NG STSp	
		JS-S080-AL	Burner kit 80M LP STSp	
		JS-S080-AN	Burner kit 80M NG STSp	
		JS-S110-AL	Burner kit 110M LP STSp	
		JS-S110-AN	Burner kit 110M NG STSp	
		JS-S130-AL	Burner kit 130M LP STSp	
		JS-S130-AN	Burner kit 130M NG STSp	
		JS-S155-AL	Burner kit 155M LP STSp	
		JS-S155-AN	Burner kit 155M NG STSp	
		JS-S175-AL	Burner kit 175M LP STSp	
		JS-S175-AN	Burner kit 175M NG STSp	
		JS-S200-AL	Burner kit 200M LP STSp	
		JS-S200-AN	Burner kit 200M NG STSp	

* PLEASE SEE YOUR CURRENT PRICE LIST