

REPLACEMENT PARTS PRICE LIST

SCHWANK GAS FIRED SERIES
STR-UA

LOW INTENSITY TUBE TYPE INFRA RED HEATER

NOTICE:

Schwank Inc. reserves the right to make changes to equipment and specifications without obligation or notification.

This publication, or parts thereof, may not be reproduced in any form, without prior written consent from Schwank Inc.

Unauthorized use or distribution of this publication is strictly prohibited.

Schwank
5285 Bradco Boulevard
Mississauga, Ontario,
L4W 2A6
Phone: (905) 712-4766
Fax: (905) 712-8336
1-866-361-0417

PO Box 988, 2 Schwank Way
Waynesboro, Georgia,
USA 30830
Phone: (706) 554-6191
Fax: (706) 554 9390
1-877-446-3727

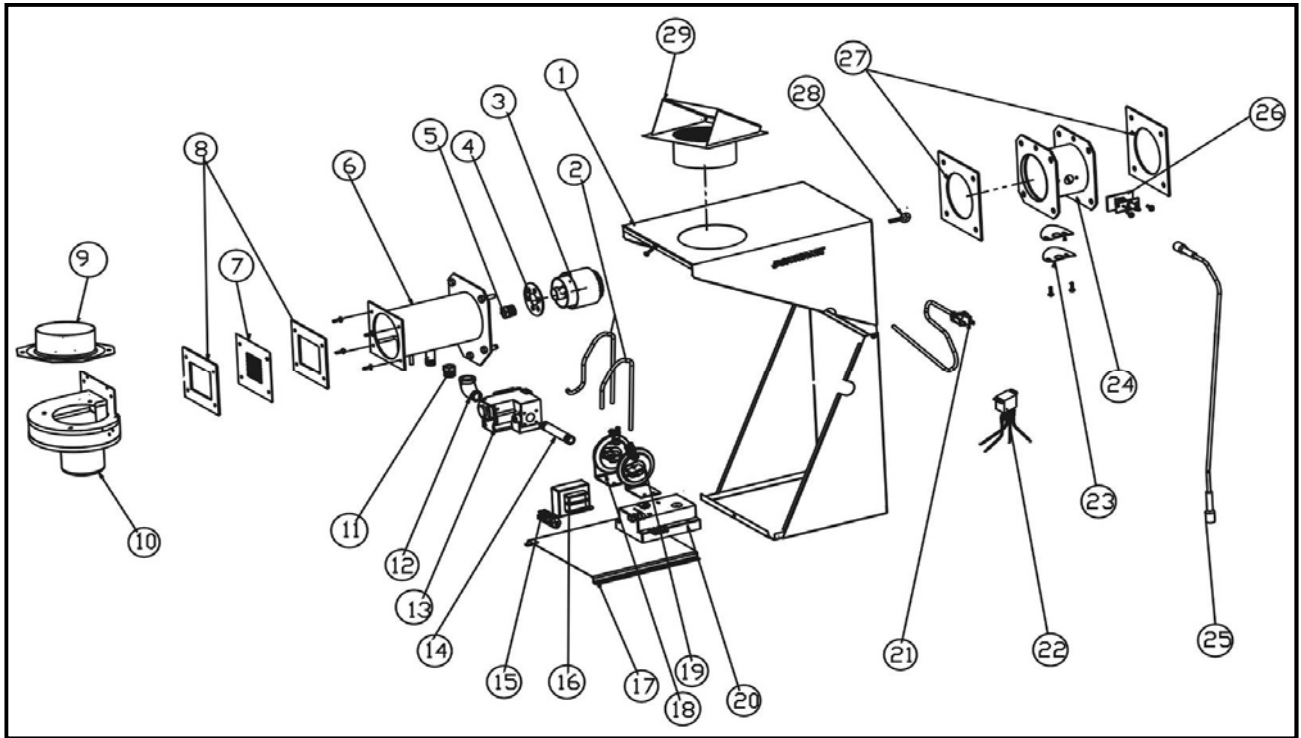
e-mail: info@schwankheaters.com

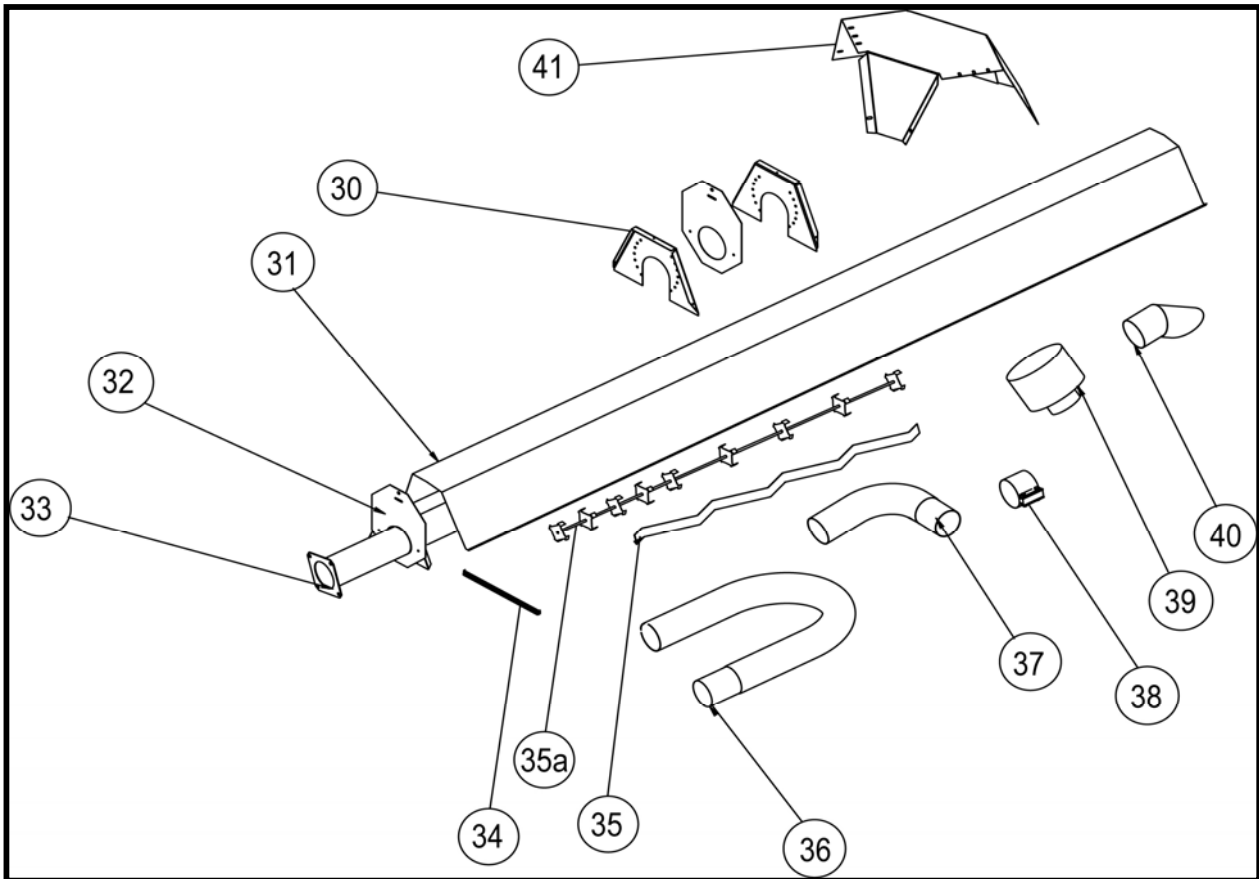
<http://www.schwankheaters.com>



#	PART DESCRIPTION	PART #	PART DESCRIPTION PRIMARY	SUPPLEMENT
1	BURNER HOUSING	JS-0582-XX	Burner housing (painted orange)	
2	PRESSURE SWITCH TUBING	JS-0572-SE	P.V.C. tubing set (2 x 20')	
3	BURNER HEAD	JS-0510-LP	Burner head (45-80)	
4	AIR RESTRICTOR RING	JS-0596-AA	Burner head air restrictor ring 9/32"	45LP, NG
		JS-0596-XX	Burner head air rest. ring .375	60LP, NG
5	MAIN BURNER ORIFICE	JS-0748-DM	Gas orifice low intensity HTR 48 DMS	45 LP
		JS-0730-DM	Gas orifice low intensity HTR 30 DMS	45 NG
		JS-0742-DM	Gas orifice low intensity HTR 42 DMS	60 LP
		JS-0725-DM	Gas orifice low intensity HTR 25 DMS	60 NG
6	OUTER BURNER	JS-0504-XX	Outer burner assembly	
7	EQUALIZER PLATE	JS-0593-LP	Outlet equalizer plate 45 LP	
		JS-0593-NG	Outlet equalizer plate 45 NG	
		JS-0593-XX	Outlet equalizer plate 60-200	
8	BLOWER GASKET	JS-0578-XX	Outlet blower gasket	each
9	AIR FLANGE	JS-0595-AA	STS-p 110-200 blower rest. ring c/w flange	45 LP
		JS-0594-ST	STS-p 60 blower rest. ring c/w flange	45 NG
10	BLOWER	JS-0579-AA	STS-p blower assembly	
11	MANIFOLD BUSHING	JM-0589-XX	Manifold bushing	
12	90 DEGREE ELBOW FITTING 1/2"	JS-0588-XX	90 degree street elbow fitting	
13	GAS VALVE	JL-0701-AA	Comb. gas valve 3.5" W.C 24VAC VR8 NG	
		JL-0703-AA	Comb. gas valve 10" W.C 24VAC VR8 LP	
14	4" NIPPLE	JS-0590-XX	4" nipple	
15	TERMINAL BLOCK	JM-0455-DD	Terminal block	
16	STEP DOWN TRANSFORMER	JA-0775-XX	Transformer 120/24V, 20VA	
17	COMPONENT PLATE	JS-0581-SE	component mounting plate	
18	COMBUSTION AIR PROVING SWITCH	JS-0576-XX	Air proving switch .48" w.c.	45
		JS-0576-YY	Air proving switch .30" w.c.	60
19	BLOCKED FLUE PROVING SWITCH	JS-0577-ZZ	Blocked flue switch 1.41" w.c.	45
		JS-0577-SS	Blocked flue switch .58" w.c.	60
20	IGNITION CONTROL	JA-0568-XX	DSI control 24VAC S87J-1034	
21	ELECTRICAL CORD	JB-0567-XX	Electrical cord	
22	THERMOSTAT RELAY	JS-0568-CC	Thermostat relay	
23	SIGHT GLASS ASSEMBLY	JS-0536-XX	STS sight glass assembly	
24	FLANGE ADAPTER	JS-0501-YY	4" STS-p 45 flanged adapter	only 45
		JS-0501-ZZ	4" STS-p flanged adapter	60
25	IGNITION CABLE	JS-0518-XX	Hi voltage wire (24")	
26	IGNITOR KIT	JA-0571-KT	Igniter & gasket kit DSI tube heater	
27	FLANGE GASKET	JS-0591-XX	Flange gasket	
28	EYE BOLT	JF-1012-EB	Eye bolt	
29	COMBUSTION AIR INLET	JS-0532-VC	Fresh-air intake vent cap	
29A	WIRING KIT (not shown)	JW-SCXX-HX	Wiring kit STSp	

* PLEASE SEE YOUR CURRENT PRICE LIST





#	PART DESCRIPTION	PART #	PART DESCRIPTION PRIMARY	SUPPLEMENT
30	REFLECTOR END PLATE	JS-0520-PR	Reflector end plate	
31	REFLECTOR	JS-0502-SR	Reflector 24 x 112.5"	
32	PLATE HANGER	JS-0505-PH	Plate hanger	
33	LOW INTENSITY TUBES	JA-0501-PA-P	Aluminized tube, flanged, swaged, painted no ports	
		JS-0515-SW-P	Painted steel tube 10' swaged	only 20'-30'
34	REFLECTOR BRACE	JS 0506-RB	Reflector brace	
35	TURBULATOR (see Fig 2 & 3 in STR installation manual)	JS-0533-SH	Short turbulator 4'	60
		JS-0533-LG	Turbulator 10'	60
35a		JS-0534-SS	STS-p turbulator 5' / 45.000 8 plates	45
36	ELBOWS 4"	JA-0508-SW	90 degree elbow	
37	ELBOWS 4"	JA-0513-SW	180 degree elbow	
38	COUPLER	JA-0516-SW	4" swaged tube coupler torctite	
39	VENT CAP	JA-0528-XX	4" roof vent cap	
40	VENT CAP	JA-0530-XX	4" horizontal wall vent terminal	
41	90° ELBOW REFLECTOR	JA-0503-US		
42	COMPLETE BURNER ASSEMBLY - (not shown)	JS-R045-CL	STR burner kit 45 LP	
		JS-R045-CN	STR burner kit 45 NG	
		JS-R060-AL	STR burner kit 60 LP US	
		JS-R060-AN	STR burner kit 60 NG US	

* PLEASE SEE YOUR CURRENT PRICE LIST