

REPLACEMENT PARTS PRICE LIST

SCHWANK GAS FIRED SERIES  
**STR-CA**

LOW INTENSITY TUBE TYPE INFRA RED HEATER

**NOTICE:**

*Schwank Inc. reserves the right to make changes to equipment and specifications without obligation or notification.*

*This publication, or parts thereof, may not be reproduced in any form, without prior written consent from Schwank Inc.*

*Unauthorized use or distribution of this publication is strictly prohibited.*

Schwank  
5285 Bradco Boulevard  
Mississauga, Ontario,  
L4W 2A6  
Phone: (905) 712-4766  
Fax: (905) 712-8336  
1-866-361-0417

PO Box 988, 2 Schwank Way  
Waynesboro, Georgia,  
USA 30830  
Phone: (706) 554-6191  
Fax: (706) 554 9390  
1-877-446-3727

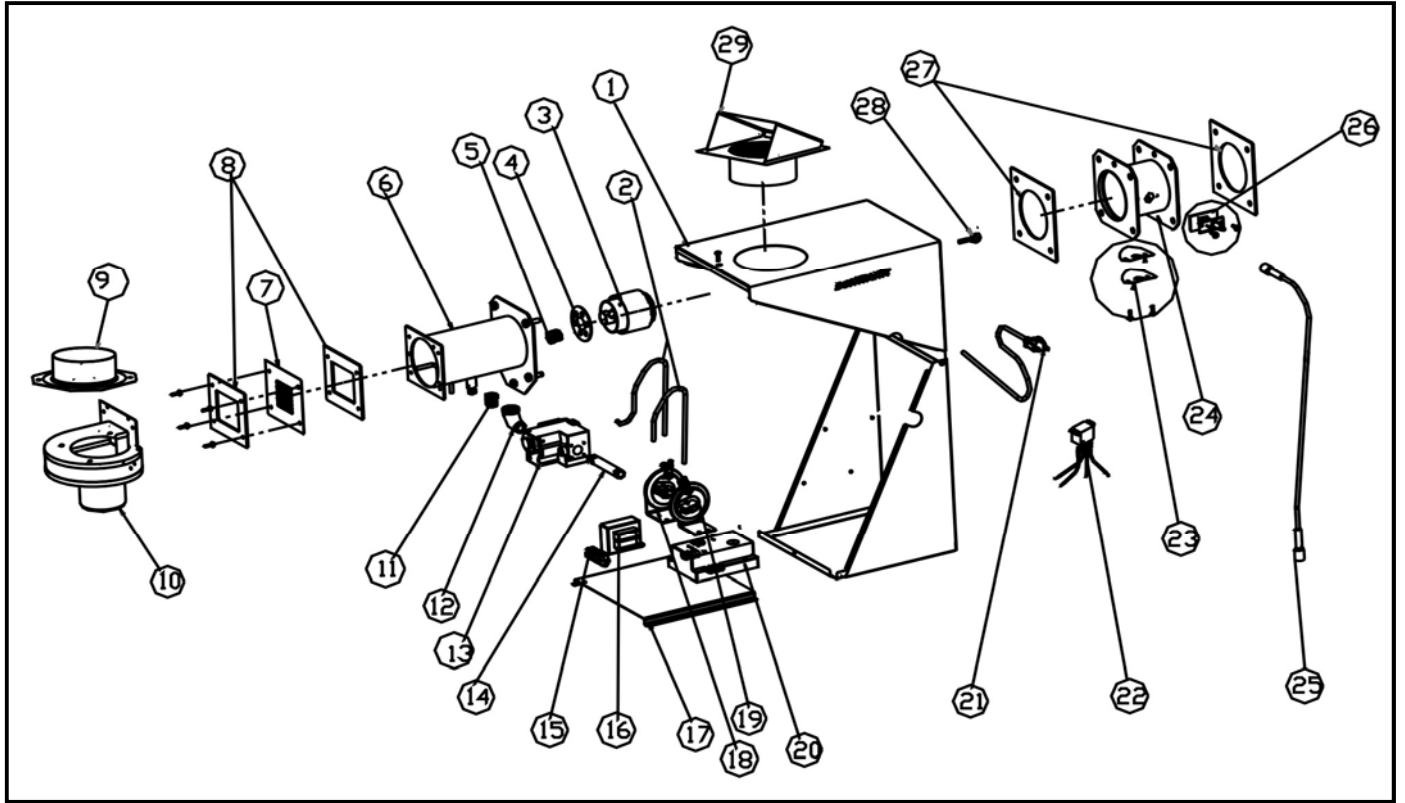
e-mail: [info@schwankheaters.com](mailto:info@schwankheaters.com)

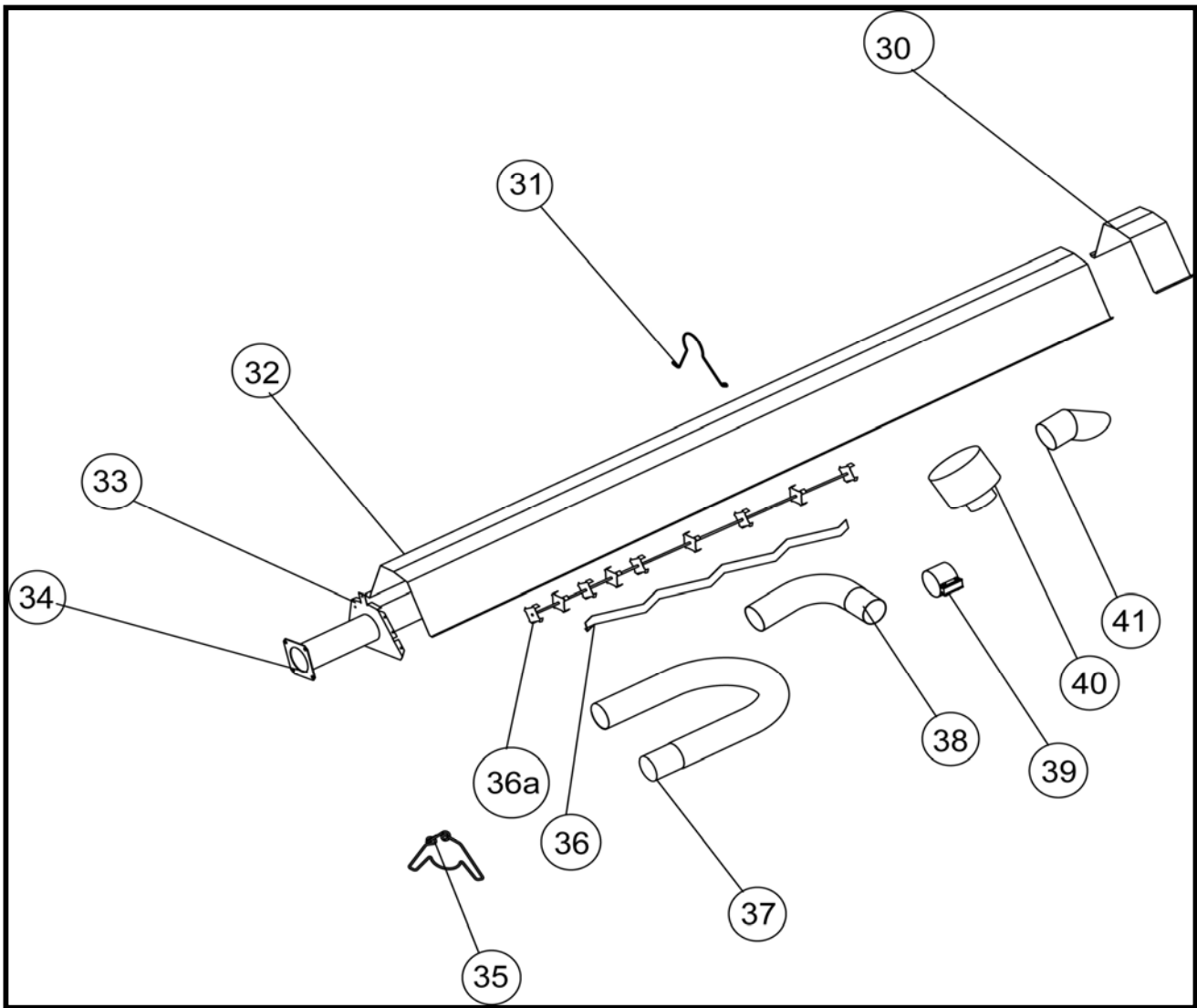
<http://www.schwankheaters.com>



#	PART DESCRIPTION	PART #	PART DESCRIPTION PRIMARY	SUPPLEMENT
1	BURNER HOUSING	JS-0582-XX	Burner housing (painted orange)	
2	PRESSURE SWITCH TUBING	JS-0572-SE	SE P.V.C. tubing set (2 x 20")	
3	BURNER HEAD	JS-0510-LP	Burner head (45-80)	
4	AIR RESTRICTOR RING	JS-0596-AA	Burner head air restrictor ring 9/32"	45LP, NG
		JS-0596-XX	Burner head air rest. ring .375	60LP, NG
5	MAIN BURNER ORIFICE	JS-0748-DM	Gas orifice low intensity HTR 48 DMS	45 LP
		JS-0730-DM	Gas orifice low intensity HTR 30 DMS	45 NG
		JS-0742-DM	Gas orifice low intensity HTR 42 DMS	60 LP
		JS-0725-DM	Gas orifice low intensity HTR 25 DMS	60 NG
6	OUTER BURNER	JS-0504-XX	Outer burner assembly	
7	EQUALIZER PLATE	JS-0593-LP	Outlet equalizer plate 45 LP	
		JS-0593-NG	Outlet equalizer plate 45 NG	
		JS-0593-XX	Outlet equalizer plate 60-200	
8	BLOWER GASKET	JS-0578-XX	Outlet blower gasket	each
9	AIR FLANGE	JS-0595-AA	STS-p 110-200 blower rest. ring c/w flange	45 LP
		JS-0594-ST	STS-p 60 blower rest. ring c/w flange	45 NG & 60
10	BLOWER	JS-0579-AA	Blower assembly tube burner	
11	MANIFOLD BUSHING	JM-0589-XX	Manifold bushing	
12	90 DEGREE ELBOW FITTING 1/2"	JS-0588-XX	90 degree street elbow fitting	
13	GAS VALVE	JL-0701-AA	Comb. gas valve 3.5" W.C 24VAC VR8 NG	
		JL-0703-AA	Comb. gas valve 10" W.C 24VAC VR8 LP	
14	4" NIPPLE	JS-0590-XX	4" nipple	
15	TERMINAL BLOCK	JM-0455-DD	Terminal block	
16	STEP DOWN TRANSFORMER	JA-0775-XX	Transformer 120/24V, 20VA	
17	COMPONENT PLATE	JS-0581-SE	component mounting plate	
18	COMBUSTION AIR PROVING SWITCH	JS-0575-ZZ	Air proving switch .67" w.c.	45
		JS-0576-YY	Air proving switch .30" w.c.	60
19	BLOCKED FLUE PROVING SWITCH	JS-0577-ZZ	Blocked flue switch 1.41" w.c.	45
		JS-0577-SS	Blocked flue switch .58" w.c.	60
20	IGNITION CONTROL: Honeywell	JA-0568-XX	DSI control 24VAC S87J-1034	
	Discontinued Syntek	JA-0568-RK	REPLACEMENT DSI KIT for Syntek DS1070C	Module + 24V Relay
21	ELECTRICAL CORD	JB-0567-XX	Electrical cord	
22	THERMOSTAT RELAY	JS-0568-KT	Thermostat relay	
23	SIGHT GLASS ASSEMBLY	JS-0536-XX	Sight glass assembly tube heater	
24	FLANGE ADAPTER	JS-0501-YY	4" STS-p 45 flanged adapter	only 45
25	IGNITION CABLE	JS-0518-XX	Hi voltage wire (24")	
26	IGNITER KIT	JA-0571-KT	Igniter & gasket kit DSI tube heater	
27	FLANGE GASKET	JS-0591-XX	Assembly Flange gasket (45 only)	each
28	EYE BOLT	JF-1012-EB	Eye bolt	
29	COMBUSTION AIR INLET	JS-0532-VC	Fresh-air intake vent cap	
29a	WIRING KIT (not shown)	JW-SCXX-HX	Wiring kit STSp CAN	

\* PLEASE SEE YOUR CURRENT PRICE LIST





#	PART DESCRIPTION	PART #	PART DESCRIPTION PRIMARY	SUPPLEMENT
30	REFLECTOR SLIDE	JS-0520-AZ-P	6" STS-p reflector slide	
31	WIRE STABILIZER	JS-0506-XX	Reflector stabilizer	only 20'-30'
32	FOCUS SHEILD REFLECTOR (the reflec-	JS-0503-SH-P	Aluminized STS-p reflector 24" x 114"	
	tor set of each heater consists of one 114"	JS-0503-TA	Aluminized STS-p reflector 24" x 116"	
	reflector with balance of 116" reflectors)			
33	PLATE HANGER	JS-0505-ND	STS-p reflector end plate hanger	
34	LOW INTENSITY TUBES	JA-0501-PA-P	Aluminized tube, flanged, swaged, painted no ports	45
		JS-0501-SW-P	Aluminized tube with flange, swaged	60
		JS-0515-SW-P	Painted steel tube 10' swaged	only 20'-30'
35	WIRE HANGER	JS-0505-WR	Deep reflector wire hanger	
36	TURBULATOR (see table 4 in STR	JS-0533-SH	Short turbulator 4'	45
	installation manual )	JS-0533-LG	Turbulator 10'	60
36a		JS-0534-SS	STS-p turbulator 5' / 45.000 8 plates	60
37	ELBOWS 4"	JA-0508-SW	90 degree elbow	
38	ELBOWS 4"	JA-0513-SW	180 degree elbow	
39	COUPLER	JA-0516-SW	4" swaged tube coupler torcite	
40	VENT CAP	JA-0528-XX	4" horizontal wall vent terminal	
41	VENT CAP	JA-0530-XX	4" roof vent cap	
42	COMPLETE BURNER KIT	JS-R045-CL	STR burner kit 45 LP	
	(not shown)	JS-R045-CN	STR burner kit 45 NG	
		JS-R060-CL	STR burner kit 60 LP	
		JS-R060-CN	STR burner kit 60 NG	

\* PLEASE SEE YOUR CURRENT PRICE LIST