



MODEL SER

MODEL IR

RESIDENTIAL GAS FIRED SERIES

REPLACEMENT PARTS LIST

LOW INTENSITY TUBE TYPE INFRA RED HEATER

NOTICE:

The manufacturer reserves the right to make changes to equipment and specifications without obligation of notification.

This publication or parts thereof may not be reproduced in any form without prior written consent from the manufacturer. Unauthorized use or distribution of this publication is strictly prohibited.

Schwank Group

5285 Bradco Blvd.
Mississauga, Ontario L4W 2A6

PO Box 988, 2 Schwank Way
Waynesboro, GA 30830

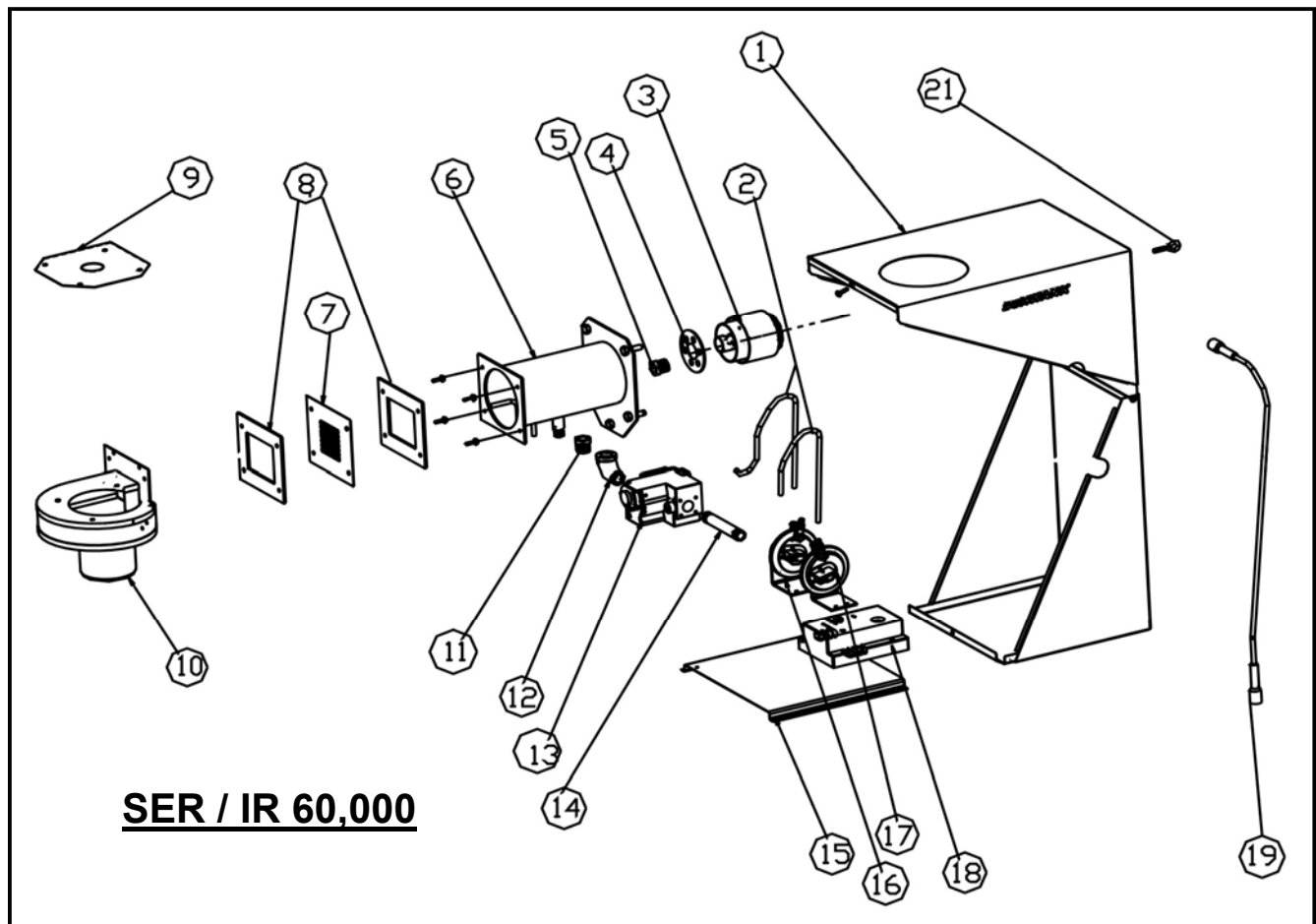
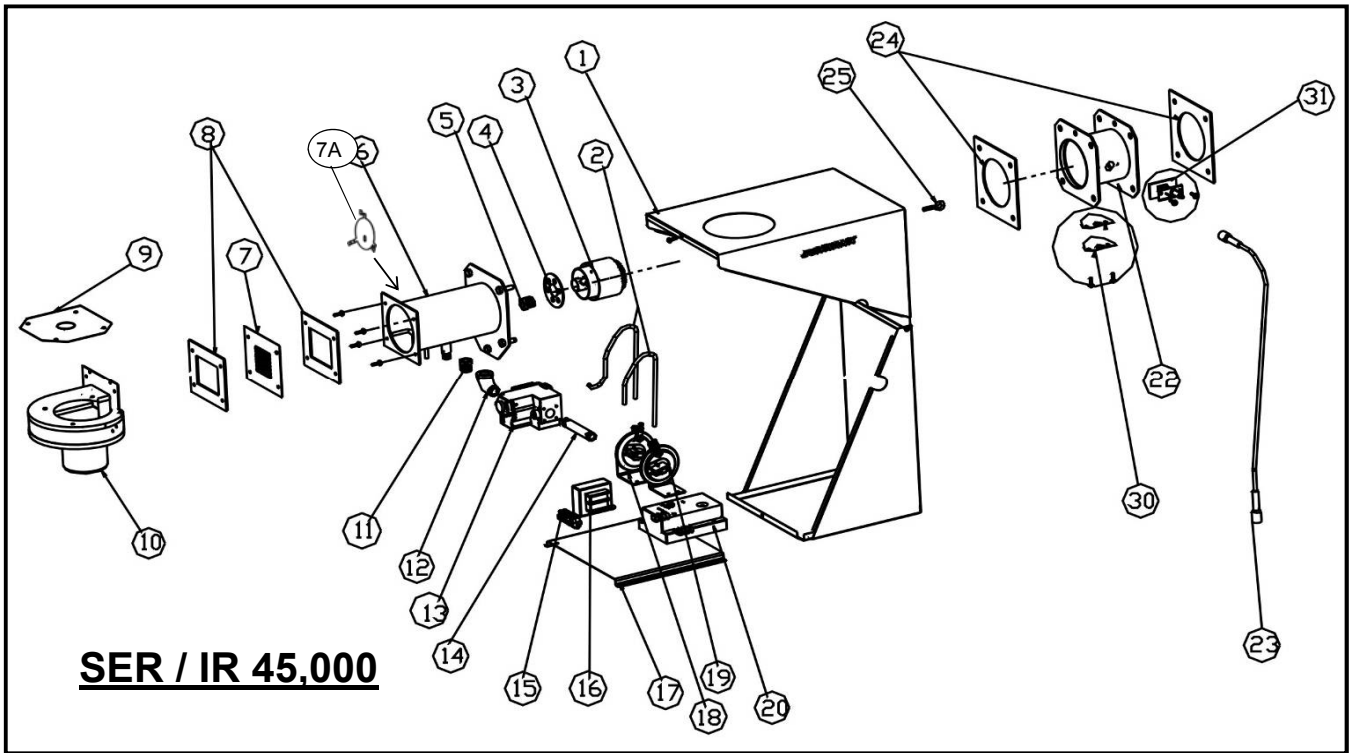
Customer & Technical Services:
1-877-446-3727
Fax: 1-866-361-0523
csr@schwankgroup.com

Schwank and InfraSave brand products

www.SchwankGroup.com
www.InfraSave.com



#	PART DESCRIPTION	PART #	PART DESCRIPTION PRIMARY	SUPPLEMENT
1	BURNER HOUSING	JJ-0582-XX	IT burner housing (painted GREY)	
		JS-0582-XX	IT burner housing (painted ORANGE)	
2	PRESSURE SWITCH TUBING	JS-0572-SE	P.V.C. tubing set (2 x 20")	
3	BURNER HEAD	JS-0510-LP	Burner Head (45-80)	
4	AIR RESTRICTOR RING	JS-0596-AA	Burner Head air restrictor ring 9/32"	45LP, NG
		JS-0596-XX	Burner Head air rest. ring .375	60LP, NG
5	MAIN BURNER ORIFICE	JS-0748-DM	Gas orifice low intensityr HTR 48 DMS	45 LP
		JS-0730-DM	Gas orifice low intensityr HTR 30 DMS	45 NG
		JS-0742-DM	Gas orifice low intensity HTR 42 DMS	60 LP
		JS-0725-DM	Gas orifice low intensity HTR 25 DMS	60 NG
6	OUTER BURNER	JS-0504-XX	Outer burner assembly	
7	EQUALIZER PLATE	JS-0593-XL	Outlet equalizer plate 45 LP - 29 Holes - Series X1	SER / IR-45-L-X1
		JS-0593-LP	Outlet equalizer plate 45 LP - 37 Holes	SER / IR-45-L
		JS-0593-NG	Outlet equalizer plate 45 NG - 25 Holes	SER / IR-45-N
		JS-0593-XX	Outlet equalizer plate (60)	
7A	AIR RESTRICTOR	JS-0592-AR	Burner air restrictor (45-X1 Only)	SER-45-X1;IR-45-X1
8	BLOWER GASKET	JS-0578-XX	Outlet blower gasket	each
9	AIR INLET RING C/W SCREEN	JS-0594-ET	SE 60 blower ring c/w Bird Screen, 1 5/16" Hole	45 LP / 60 NG/LP
		JS-0595-AC	STT 110/80 NG/LP blower ring flat 1 1/2" Hole	45 NG
10	BLOWER	JS-0579-AA	Blower assembly tube burner	
11	MANIFOLD BUSHING	JM-0589-XX	Manifold bushing	
12	90 DEGREE ELBOW FITTING 1/2"	JS-0588-XX	90 degree street elbow fitting	
13	GAS VALVE	JL-0701-AA	Comb. gas valve 3.5" W.C. 24VAC VR8 NG	45
		JL-0703-AA	Comb. gas valve 10" W.C. 24VAC VR8 LP	45
		JA-0526-NG	Gas valve 2000 derhc 120-S7C NG (60-155)	60
		JA-0526-LP	Gas valve 2000 derhc 120-S7C LP (60-155)	60
14	4" NIPPLE	JS-0590-XX	4" nipple	
15	TERMINAL BLOCK	JM-0455-DD	Terminal block	45
16	STEP DOWN TRANSFORMER	JA-0775-XX	Transformer 120/24V, 20VA AT120B1028	45 ONLY
17	COMPONENT PLATE	JS-0581-SE	SE component mounting plate	60
		JS-0581-XX	SE component mounting plate	45
		JS-0576-XX	Air proving switch .48" W.C.	45
18	COMBUSTION AIR PROVING SWITCH	JS-0576-AA	Air proving switch .85" W.C.	45
		JS-0576-YY	Air proving switch .30" W.C.	60
		JS-0577-ZZ	Blocked flue switch 1.41" W.C.	45
19	BLOCKED FLUE PROVING SWITCH	JS-0577-YY	Blocked flue switch .90" W.C.	45
		JS-0577-SS	Blocked flue switch .58" W.C.	60
		JS-0573-RP	3 Trial low intensity DSI control kit	60 ONLY
20	IGNITION CONTROL	JA-0568-XX	DSI control 24VAC S87J	45 ONLY
		JW-MXXX-HX	Wiring kit SER/IR-60 series - Low Voltage Wires	60
21	WIRING KIT w/ HARNESS (not shown)	JW-SCXX-HX	Wiring kit SER/IR-45 series - Low Voltage Wires	45
		JS-0501-YY	4" STS-p 45 flanged adapter	only 45
22	FLANGE ADAPTER	JS-0518-XX	Hi voltage wire (24")	
23	IGNITION CABLE	JS-0518-XX	Hi voltage wire (24")	
24	FLANGE GASKET	JS-0591-XX	Flange gasket	45 ONLY / each
25	EYE BOLT	JF-1012-EB	Eye bolt	



#	PART DESCRIPTION	PART #	PART DESCRIPTION PRIMARY	SUPPLEMENT
26	WIRE HANGER	JS-0505-EH	Small wire hanger	
27	REFLECTOR	JS-0502-EM	Reflector (18" x 120")	
28	END CAP	JS-0502-ES	Reflector end cap	
29	LOW INTENSITY TUBE	JA-0501-PA-P	Aluminized tube, flanged, swaged, painted, no ports	45
		JS-0501-SW-P	Aluminized tube with flange swaged	60
		JS-0515-SW-P	Painted steel tube 10'	
30	SIGHT GLASS ASSEMBLY	JS-0536-XX	Sight glass assembly tube heater	
31	IGNITER KIT	JA-0571-KT	Igniter & gasket kit / DSI tube heater	
32	TURBULATOR (see table 4 in IR	JS-0534-SS	Turbulator 5' (7 PLATE)	45
32a	installation manual Aug, 2002 RL:2)	JS-0533-SH	Short turbulator 4'	60
		JS-0533-LG	Turbulator 10'	60
33	ELBOW 4"	JA-0508-SW	90 degree elbow	
34	ELBOW 4"	JA-0513-SW	180 degree elbow	
35	COUPLER	JA-0516-SW	4" swaged tube coupler torcite	
36	VENT CAP	JA-0530-XX	4" roof vent cap	
37	VENT CAP	JA-0528-XX	4" horizontal wall vent terminal	
38	DOUBLE STEEL HANGER	JS-0505-BU	U tube reflector hanger	
39	TURN BOX	JS-0513-BU	U tube turn around box	
40	DOUBLE REFLECTOR	JS-0502-BU	Wide reflector 24" x 120"	
41	U REFLECTOR END CAP	JS-0502-ND	Series "U" reflector end cap	
42	COMPLETE BURNER KIT	JJ-RE45-BL	IR 45 burner kit LP	
	(not shown)	JJ-RE45-BN	IR 45 burner kit NG	
		JJ-RE60-BL	IR 60 burner kit LP	
		JJ-RE60-BN	IR 60 burner kit NG	

