



SEM

IT

GAS FIRED SERIES

REPLACEMENT PARTS LIST

LOW INTENSITY TUBE TYPE INFRA RED HEATER

NOTICE:

The Manufacturer reserves the right to make changes to equipment and specifications without obligation or notification.

This publication, or parts thereof, may not be reproduced in any form, without prior written consent from The Manufacturer. Unauthorized use or distribution of this publication is strictly prohibited.

Schwank Group

*5285 Bradco Boulevard
Mississauga, Ontario,
L4W 2A6
Phone: (905) 712-4766
Fax: (905) 712-8336
1-866-361-0417*

*PO Box 988, 2 Schwank Way
Waynesboro, Georgia,
USA 30830
Phone: (706) 554-6191
Fax: (706) 554 9390
1-877-446-3727*

e-mail: info@schwankgroup.com

www.schwankgroup.com

InfraSave

*Mississauga, Ontario,
Waynesboro, Georgia,
Phone: 1-866-INFRASV (463-7278)
Fax: 1-866-724-9265*

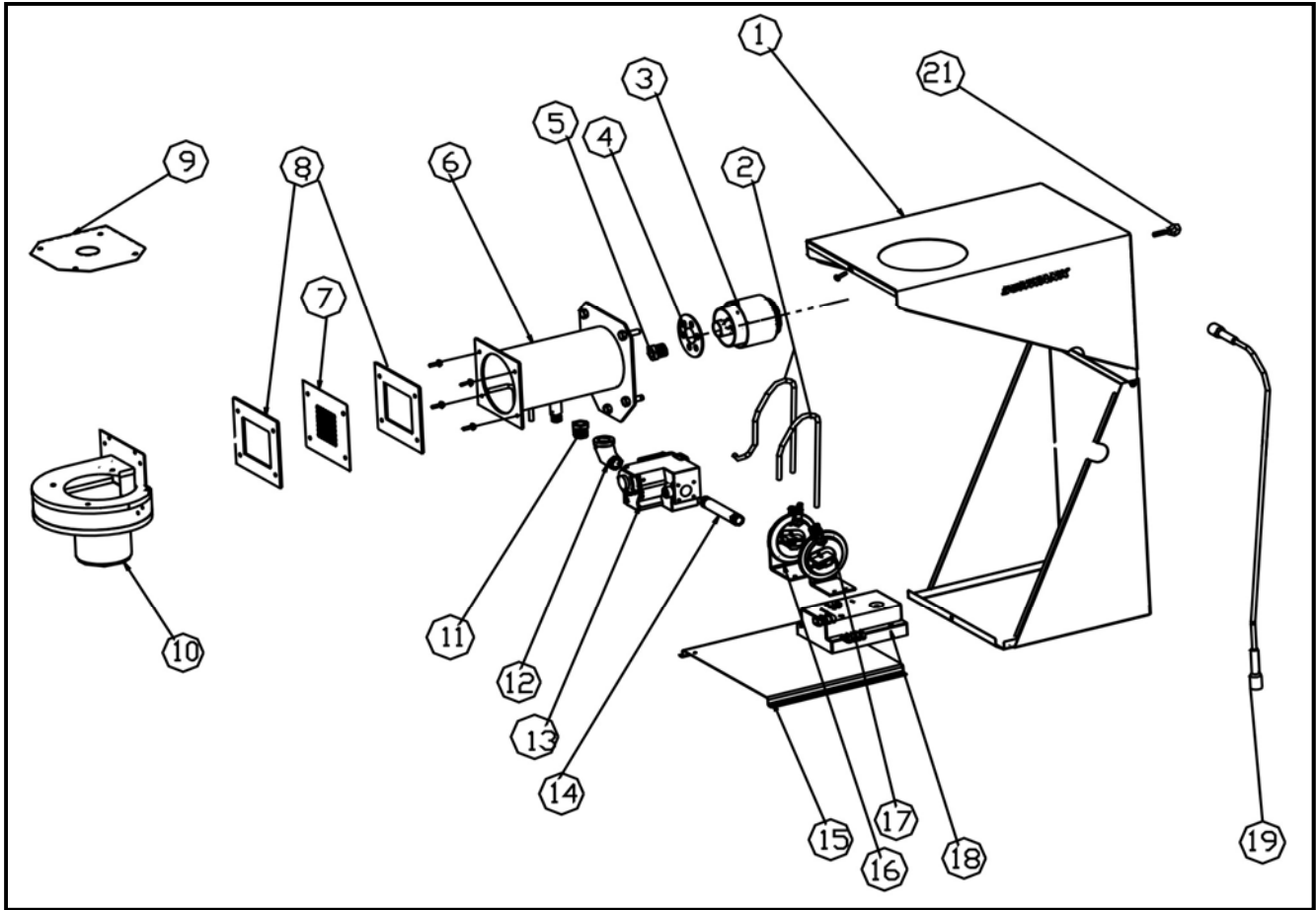
e-mail: info@infrsave.com

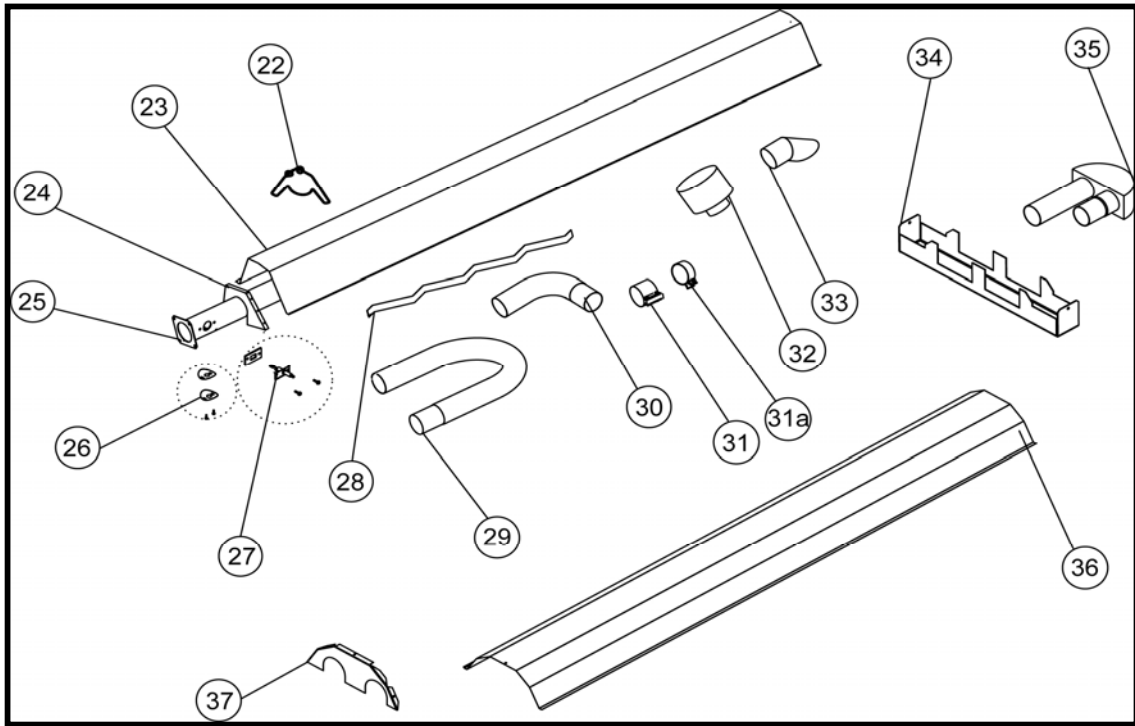
www.infrsave.com



#	PART DESCRIPTION	PART #	PART DESCRIPTION PRIMARY	SUPPLEMENT
1	BURNER HOUSING	JS-0582-XX	Burner housing (painted orange)	
2	PRESSURE SWITCH TUBING	JS-0572-SE	P.V.C. tubing set (2 x 20")	
3	BURNER HEAD	JS-0510-LP	Burner head (45-80)	60-80
		JS-0512-XX	Burner head (110-200)	110-200
4	AIR RESTRICTOR RING	JS-0596-XX	Burner head air rest. ring .375	60LP,60-200NG
		JS-0597-XX	Burner head air rest. ring .500	80-200LP
5	MAIN BURNER ORIFICE	JS-0742-DM	Gas orifice low intensity HTR 42 DMS	60 LP
		JS-0725-DM	Gas orifice low intensity HTR 25 DMS	60 NG
		JS-0736-DM	Gas orifice low intensity HTR 36 DMS	80 LP
		JS-0718-DM	Gas orifice low intensity HTR 18 DMS	80 NG
		JS-0731-DM	Gas orifice low intensity HTR 31 DMS	110 LP
		JS-0752-MM	Gas orifice low intensity HTR 5.2 mm	110 NG
		JS-0729-DM	Gas orifice low intensity HTR 29 DMS	130 LP
		JS-0758-MM	Gas orifice low intensity HTR 5.8 mm	130 NG
		JS-0714-IN	Gas orifice low intensity HTR 9/64 inch	155 LP
		JS-0725-IN	Gas orifice low intensity HTR 1/4 inch	155 NG
		JS-0721-DM	Gas orifice low intensity HTR 21 DMS	175 LP
		JS-0767-MM	Gas orifice low intensity HTR 6.7 mm	175 NG
		JS-0719-DM	Gas orifice low intensity HTR 19 DMS	200 LP
		JS-0730-IN	Gas orifice low intensity HTR 19/64 inch	200 NG
6	OUTER BURNER	JS-0504-XX	Outer burner assembly	
7	EQUALIZER PLATE	JS-0593-XX	Outlet equalizer plate (60 to 200)	
8	BLOWER GASKET	JS-0578-XX	Outlet blower gasket	each
9	AIR INLET C/W SCREEN	JS-0594-ET	SE 60 blower ring c/w 1/2" bird screen	60
		JS-0595-EP	SE 80 blower ring c/w 1/2" bird screen	80
		JS-0595-EA	SE 110-200 blower ring c/w 1/2" bird screen	110-200
10	BLOWER	JS-0579-AA	Blower assembly tube burner	
11	MANIFOLD BUSHING	JM-0589-XX	Manifold bushing	
12	90 DEGREE ELBOW FITTING 1/2"	JS-0588-XX	90 degree street elbow fitting	1/2"
13	GAS VALVE	JA-0526-HL	Gas Valve LP 60-200 Honeywell VR4205M 120V	
		JA-0526-HN	Gas Valve NG 60-200 Honeywell VR4205M 120V	
	<i>Note: Robertshaw Gas Valves Discontinued - Transparent Replacement with Honeywell Valves listed above</i>			
14	4" NIPPLE	JS-0590-XX	4" nipple	
15	COMPONENT PLATE	JS-0581-SE	component mounting plate	
16	COMBUSTION AIR PROVING SWITCH	JS-0576-YY	Air proving switch .30" W.C.	60
		JS-0576-XX	Air proving switch .48" W.C.	80
		JS-0575-YY	Air proving switch .65" W.C.	110-155
		JS-0576-AA	Air proving switch .85" W.C.	175-200
17	BLOCKED FLUE PROVING SWITCH	JS-0577-SS	Blocked flue switch .58" W.C.	60
		JS-0577-YY	Blocked flue switch .90" W.C.	80-155
		JS-0577-ZZ	Blocked flue switch .1.41" W.C.	175-200
18	IGNITION CONTROL	JS-0573-RP	SE series D.S.I. Fenwal 120V bare board kit	
19	IGNITION CABLE	JS-0518-XX	Hi voltage wire (24")	
20	WIRING KIT (not shown)	JW-MXXX-HX	Wiring kit	
21	EYE BOLT	JF-1012-EB	Eye bolt	

* PLEASE SEE YOUR CURRENT PRICE LIST





#	PART DESCRIPTION	PART #	PART DESCRIPTION PRIMARY	SUPPLEMENT
22	WIRE HANGER	JS-0505-EH	Small wire hanger	
23	REFLECTOR	JS-0502-EM	Reflector (18" x 120")	
24	END CAP	JS-0502-ES	SE series reflector end cap	
25	LOW INTENSITY TUBE	JS-0501-SW-P	Aluminized tube,flanged,swaged c/w ports	60-155
		JS-0501-SK	Aluminized tube, 10' slotted + Accuseal clamp	175-200
		JS-0499-SW-P	Alumatherm tube,flanged,swaged c/w ports	175-200
		JS-0515-SW-P	Steel tube 10' swaged	
		JS-0515-SW-5	Steel tube 5' swaged	
26	SIGHT GLASS ASSEMBLY	JS-0536-XX	Sight glass assembly tube heater	
27	IGNITER KIT	JA-0571-KT	Igniter & gasket kit / DSI tube heater	
28	TURBULATOR (see Table 4 in SEM-u (installation manual)	JS-0533-SH	Short turbulator 4'	
		JS-0533-LG	Turbulator 10'	
29	ELBOW 4"	JA-0508-SW	90 degree elbow	
30	ELBOW 4"	JA-0513-SW	180 degree elbow	
31	COUPLER	JA-0516-SW	4" swaged tube coupler torctite	
31a	ACCUSEAL CLAMP 4"	JA-0516-SA	4" Clamp for slotted Aluminized Tube	175-200
32	VENT CAP	JA-0530-XX	4" roof vent cap	
33	VENT CAP	JA-0528-XX	4" horizontal wall vent terminal	
34	DOUBLE STEEL HANGER	JS-0505-BU	U tube reflector hanger	
35	TURN BOX	JS-0513-BU	U tube turn around box	
36	DOUBLE REFLECTOR	JS-0502-BU	Wide reflector 24" x 120"	
		JS-0502-BU5	Wide reflector 24" x 60"	
37	U REFLECTOR END CAP	JS-0502-ND	SE series "U" reflector end cap	
38	COMPLETE BURNER KIT (not shown)	JS-060M-BL	SE series burner kit 60M BTU LP	
		JS-060M-BN	SE series burner kit 60M BTU NG	
		JS-080M-BL	SE series burner kit 80M BTU LP	
		JS-080M-BN	SE series burner kit 80M BTU NG	
		JS-110M-BL	SE series burner kit 110M BTU LP	
		JS-110M-BN	SE series burner kit 110M BTU NG	
		JS-130M-BL	SE series burner kit 130M BTU LP	
		JS-130M-BN	SE series burner kit 130M BTU NG	
		JS-155M-BL	SE series burner kit 155M BTU LP	
		JS-155M-BN	SE series burner kit 155M BTU NG	
		JS-175M-BL	SE series burner kit 175M BTU LP	
		JS-175M-BN	SE series burner kit 175M BTU NG	
		JS-200M-BL	SE series burner kit 200M BTU LP	
		JS-200M-BN	SE series burner kit 200M BTU NG	