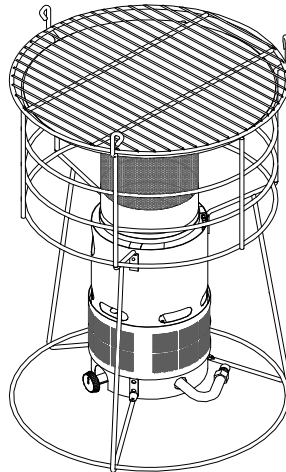




**Schwank**  
**SCH-90-N/L**  
**SCH-90M-N/L**  
 HotTot Construction Heater



**Schwank Inc.**

P.O. Box 988, Two Schwank Way  
 Waynesboro, GA 30830-0988  
 706 554 6191  
 Fax 706 554 9390

5285 Bradco Blvd  
 Mississauga, ON Canada  
 L4W 2A6  
 905 712 4766  
 Fax 905 712 8336

| PART DESCRIPTION   | CAPACITY    |
|--|-------------|
| <b>HEATER:</b>   |             |
| SCH-90L (PROPANE)  | 87000 Btuh  |
| SCH-90N (NAT. GAS)   | 90000 Btuh  |
| <b>OPTIONAL COMPONENTS</b>                                   |             |
| 15 FT Hose c/w L.P. Regulator                                |             |
| 50' x 3/4" Type "1" Hose c/w L.P. Regulator                  |             |
| 50' x 3/4" Type "1" Hose N.G. c/w Male Quick Disconnect      |             |
| Manifold* for Natural Gas Meter c/w Female Quick Disconnect: |             |
| Single Outlet (Enbridge)                                     |             |
| Double Outlet (Enbridge)                                     |             |
| Double Outlet (Union Gas) c/w 6 ft x 1" Type "1" Hose        |             |
| Suspension Chain* (pyramid shape) with "S" hooks             |             |
| Replacement Filters (Package of 4)                           |             |
| Replacement Filter (for bulk purchase)                       | <i>EACH</i> |
| Rubber Gasket for 1" Swivel Set & Manifold                   | <i>EACH</i> |
| 100 Qty. Rubber Gaskets for 1" Swivel Set & Manifold         |             |
| Meter Key (Enbridge)   | <i>EACH</i> |
| 3/8" Female Quick Disconnect (L.P. Hose)                     |             |
| 1/2" Female Quick Disconnect (NG. Hose - Heater End)         |             |
| 3/4" Male Quick Disconnect (NG. Hose - Manifold End)         |             |
| 3/4" Female Quick Disconnect (NG. Manifold )                 |             |
|  |             |
|  |             |
|  |             |

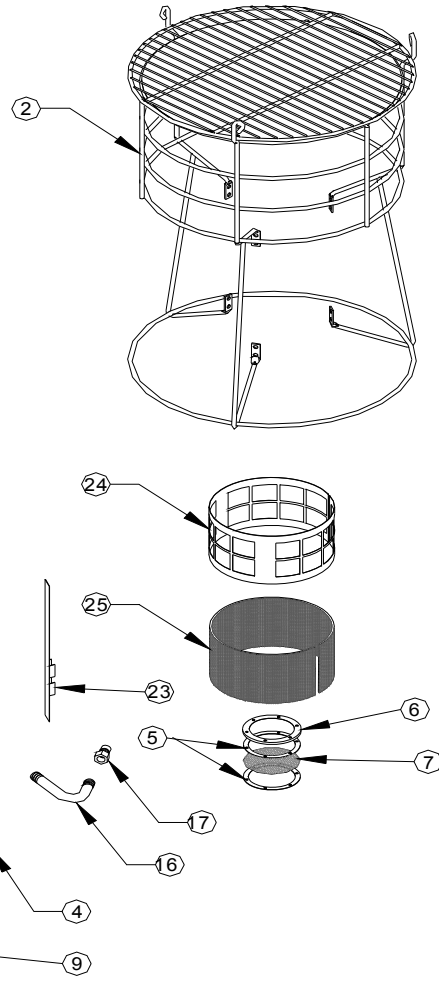
\*NOTE: Use of manifolds and suspension chains varies by jurisdiction. Please check with local authorities or utilities for suitability.

F.O.B. Mississauga, Ontario, Canada  
 All Applicable Taxes & Shipping EXTRA  
 Net 30 Days

## SCH-90-N/L REPLACEMENT PARTS LIST

(SCH-90-M IS BELOW = PAGE DOWN)

Schwank  
**SCH-90-N/L**  
HotTot Construction Heater  
(Also see SCH-90-M)

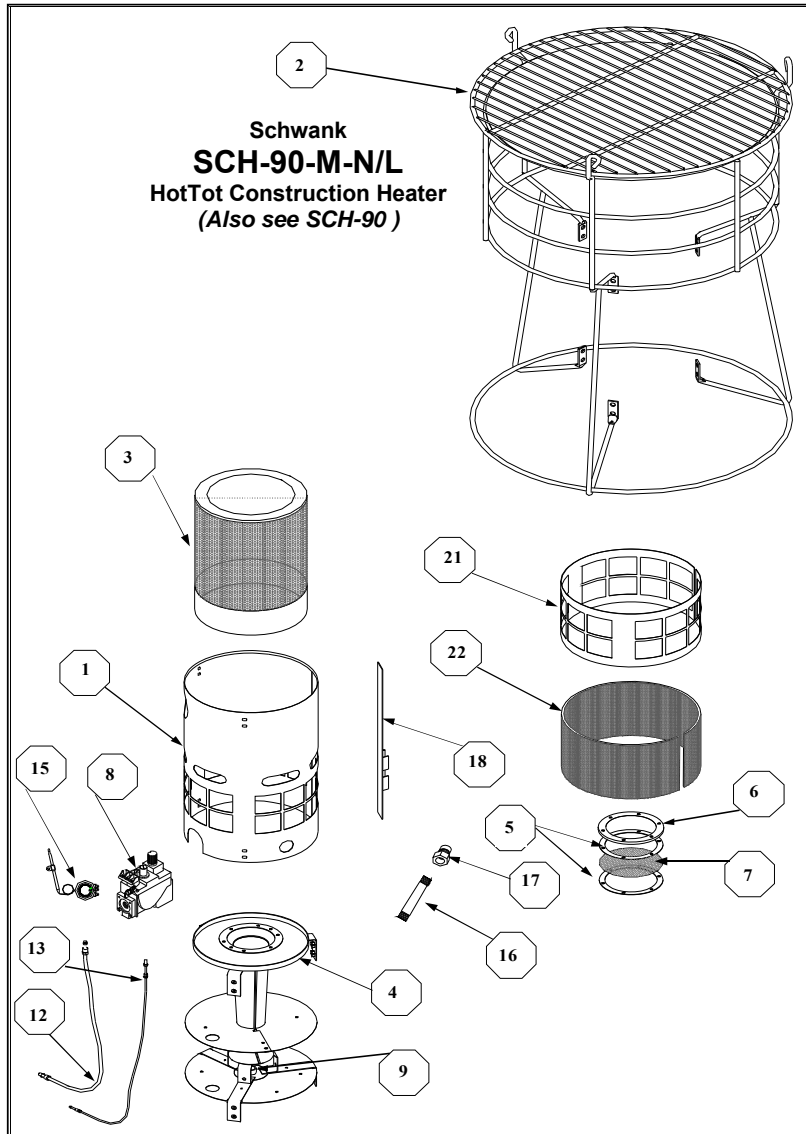


| ITEM | PART DESCRIPTION                                      | Natural Gas           | Propane           |
|------|---|-----------------------|-------------------|
|      |   | PART # (NG)           | PART # (LP)       |
| 1    | SHROUD  | JH-0613-XX            | JH-0613-XX        |
| 2    | WIRE GUARD  | Previously JH-0610-XX |                   |
|      | UPPER: RING PORTION OF GUARD <i>Only</i>              | JH-0610-TP            | JH-0610-TP        |
|      | LOWER: 'LEGS' PORTION OF GUARD <i>Only</i>            | JH-0610-BM            | JH-0610-BM        |
| 3    | MANTLE  | JH-0433-XX            | JH-0433-XX        |
| 4    | VENTURI ASSEMBLY c/w RINGS                            | JH-0615-XX            | JH-0615-XX        |
| 5    | BURNER GASKET   | JH-0437-FF            | JH-0437-FF        |
| 6    | FLAME SCREEN RETAINER RING                            | JH-0439-XX            | JH-0439-XX        |
| 7    | FLAME SCREEN  | JH-0441-XX            | JH-0441-XX        |
| 8    | <b>THERMOSTATIC GAS VALVE</b>                         | <b>JH-0412-NG</b>     | <b>JH-0412-LP</b> |
| 9    | <b>MAIN ORIFICE</b>                                   | <b>JS-0724-DM</b>     | <b>JS-0731-DM</b> |
| 10   | PILOT BURNER ( <i>Not Shown</i> )                     | JH-0406-XX            | JH-0406-XX        |
| 11   | <b>PILOT ORIFICE - Honeywell (<i>Not Shown</i>)</b>   | <b>JH-0407-NG</b>     | <b>JH-0407-LP</b> |
| 12   | PILOT TUBE  | JH-0463-XX            | JH-0463-XX        |
| 13   | THERMOCOUPLE  | JH-0403-XX            | JH-0403-XX        |
| 14   | BLACK WIRE ASSEMBLY ( <i>Not Shown</i> )              | JH-0465-XX            | JH-0465-XX        |
| 15   | SAFETY TIP SWITCH                                     | JH-0405-XX            | JH-0405-XX        |
| 16   | <b>VALVE INLET ELBOW: 1/2" NG; 3/8" LP</b>            | <b>JH-0640-XX</b>     | <b>JH-0641-XX</b> |
| 17   | <b>MALE QUICK CONNECT: 1/2" NG; 3/8" LP</b>           | <b>JH-0601-ML</b>     | <b>JH-0591-ML</b> |
| 18   | CONTROL KNOB  | JH-0412-TK            | JH-0412-TK        |
| 19   | RECEPTOR ASSEMBLY (CONTROL KNOB) ( <i>Not Shown</i> ) | -                     | JH-0903-RG        |
| 20   | <b>50 ft HOSE ASSEMBLY (<i>Not Shown</i>)</b>         | <b>JH-0902-XX</b>     | <b>JH-0902-LP</b> |
| 21   | E.C.O. ADAPTOR ( <i>Not Shown</i> )                   | JH-0401-XX            | JH-0401-XX        |
| 22   | CONTROL KNOB SPRING                                   | JH-0412-SP            | JH-0412-SP        |
| 23   | 8" RETAINER GRIPS                                     | JH-0936-XX            | JH-0936-XX        |
| 23A  | 16" RETAINER GRIPS                                    | JH-0937-XX            | JH-0937-XX        |
| 24   | FILTER RETAINER                                       | JH-0935-XX            | JH-0935-XX        |
| 25   | FILTER  | JH-0933-XX            | JH-0933-XX        |

**NOTE: PARTS HIGHLIGHTED IN BOLD BLUE ARE REQUIRED FOR CONVERSION OF HEATER FROM ONE FUEL GAS TO THE OTHER.**

## SCH-90-M-N/L REPLACEMENT PARTS LIST

(SCH-90 IS ABOVE = PAGE UP)



| ITEM | PART DESCRIPTION                                      | Natural Gas           | Propane           |
|------|---|-----------------------|-------------------|
|      |   | PART # (NG)           | PART # (LP)       |
| 1    | SHROUD  | JH-0613-MX            | JH-0613-MX        |
| 2    | WIRE GUARD  | Previously JH-0610-XX |                   |
|      | UPPER RING PORTION OF GUARD <i>Only</i>               | JH-0610-TP            | JH-0610-TP        |
|      | LOWER LEGS PORTION OF GUARD <i>Only</i>               | JH-0610-BM            | JH-0610-BM        |
| 3    | MANTLE  | JH-0433-XX            | JH-0433-XX        |
| 4    | VENTURI ASSEMBLY c/w RINGS                            | JH-0615-XX            | JH-0615-XX        |
| 5    | BURNER GASKET   | JH-0437-FF            | JH-0437-FF        |
| 6    | FLAME SCREEN RETAINER RING                            | JH-0439-XX            | JH-0439-XX        |
| 7    | FLAME SCREEN  | JH-0441-XX            | JH-0441-XX        |
| 8    | <b>MILLIVOLT GAS VALVE</b>                            | <b>JH-0414-NG</b>     | <b>JH-0414-LP</b> |
| 9    | <b>MAIN ORIFICE</b>                                   | <b>JH-0418-NG</b>     | <b>JH-0418-XX</b> |
| 10   | PILOT BURNER <i>(Not Shown)</i>                       | JH-0406-XX            | JH-0406-XX        |
| 11   | <b>PILOT ORIFICE - Honeywell - <i>(Not Shown)</i></b> | <b>JH-0407-NG</b>     | <b>JH-0407-LP</b> |
| 12   | PILOT TUBE  | JH-0463-MX            | JH-0463-MX        |
| 13   | MILLIVOLT GENERATOR- POWERPILE                        | JH-0504-XX            | JH-0504-XX        |
| 14   | BLACK WIRE ASSEMBLY <i>(Not Shown)</i>                | JH-0465-XX            | JH-0465-XX        |
| 15   | THERMOSTAT ASSEMBLY                                   | JH-0414-TS            | JH-0414-TS        |
| 16   | <b>VALVE INLET NIPPLE</b>                             | <b>JS-0504-NP</b>     | <b>JS-0590-XX</b> |
| 17   | <b>QUICK CONNECT</b>                                  | <b>JH-0601-ML</b>     | <b>JH-0591-ML</b> |
| 18   | 8" RETAINER GRIPS                                     | JH-0936-XX            | JH-0936-XX        |
| 18A  | 16" RETAINER GRIPS                                    | JH-0937-XX            | JH-0937-XX        |
| 19   | REGULATOR ASSEMBLY <i>(Not Shown)</i>                 | -                     | JH-0903-RG        |
| 20   | <b>50 ft HOSE ASSEMBLY <i>(Not Shown)</i></b>         | <b>JH-0902-XX</b>     | <b>JH-0902-LP</b> |
| 21   | FILTER RETAINER                                       | JH-0935-XX            | JH-0935-XX        |
| 22   | FILTER  | JH-0933-XX            | JH-0933-XX        |

**NOTE: PARTS HIGHLIGHTED IN BOLD BLUE ARE REQUIRED FOR CONVERSION OF HEATER FROM ONE FUEL GAS TO THE OTHER.**