

INSTALLATION / OWNER'S MANUAL



SERIES
4N/L51-J
4N/L62-J

SERIES
44N/L5-J
44N/L6-J

INFRA-RED POLE MOUNTED PATIO HEATER

FOR YOUR SAFETY:

Do not store or use gasoline or other flammable vapours and liquids in the vicinity of this or any other appliance.

If you smell Gas:

- >Extinguish any open flames
- >Don't touch electrical switches
- >Call your Gas supplier immediately

FIELD CONVERTIBILITY:

“The conversion shall be carried out in accordance with the requirements of the authorities having jurisdiction and in accordance with the requirements of the B149.1 (latest edition) INSTALLATION CODE” in Canada, and the ANSI Z223.1 (latest edition) in the U.S.A.



Member of



Canadian Restaurant
and Foodservices
Association

Association canadienne
des restaurateurs et des
services alimentaires



NOTICE:

The Manufacturer reserves the right to make changes to equipment and specifications without obligation or notification.

This publication, or parts thereof, may not be reproduced in any form, without prior written consent from the manufacturer. Unauthorized use or distribution of this publication is strictly prohibited.

*Schwank Group / InfraSave
5285 Bradco Boulevard
Mississauga, Ontario,
L4W 2A6
Phone: (905) 712-4766
Fax: (905) 712-8336
1-866-361-0417*

*PO Box 988, 2 Schwank Way
Waynesboro, Georgia,
USA 30830
Phone: (706) 554-6191
Fax: (706) 554 9390
1-877-446-3727*

*e-mail: info@schwankgroup.com
www.schwankgroup.com*

*e-mail: info@infrasave.com
www.infrasave.com*

SERIES: 4N/L51-J, 4N/L62-J 44N/L5-J, 44N/L6-J

INFRA-RED POLE MOUNTED PATIO HEATER

TABLE OF CONTENTS

TOPIC	PAGE NUMBER	TOPIC	PAGE NUMBER
1. GENERAL	1	7. SAFE LOCATION FOR HEATER.....	9
2. INSTALLATION REQUIREMENTS ...	1	7.1 CLEARANCE FROM COMBUSTI-	
3. GAS SUPPLY	1	BLES	9
3.1 4N51/62 SPECIFICATIONS	2	8. LIGHTING INSTRUCTIONS	10
3.2 4L51/62 SPECIFICATIONS.....	3	9. TROUBLESHOOTING	11
4. MAIN COMPONENTS FOR		9.1 STORAGE.....	12
ASSEMBLY	4	9.2 PREVENTATIVE CARE AND	
5. ASSEMBLY INSTRUCTIONS.....	5	MAINTENANCE	12
6. CONNECTION AND TESTING.....	8	9.3 SAFETY	12
		10. LIMITED WARRANTY	13

1. GENERAL

These installation and operating instructions are intended for Series 4N51/62, 4L51/4L62 and 44N/L5, 44N/L6 Heaters. This appliance is an infrared fixed pole patio, deck and garden heater for operation with Natural Gas 4N51, 4N62 and 44N5, 44N6; and Propane 4L51,4L62 and 44L5, 44L6. The burner is controlled and adjusted by the gas control knob at the top of the heater, and the gas supply is fed up through the inside of the pole using flexible gas hose. All installations must conform to

the following installation requirements, as well as local and national code requirements, including the current CAN/CGA-B149.1-00 (latest edition) installation code and the ANSI Z223.1 (latest edition) for the U.S.A. for gas burning appliances and equipment. Due to ever changing standards and requirements, revision to our equipment and installation procedures may be necessary. In case of discrepancies, the latest installation manual will take priority.

2. INSTALLATION REQUIREMENTS

The Series 4N51/62, 4L51/4L62 and 44N/L5, 44N/L6 Heaters must always maintain the proper clearance to combustible materials. (Top 18" sides 24" below 24"). Do not use this heater in an explosive atmosphere. Keep heater away from areas where gasoline or other flammable liquids or vapors are stored.

WARNING: Improper operation, installation, adjustment, alteration, servicing or maintenance can cause severe property damage, serious injury or death. Carefully read this User Guide before installing and setting up the heater.

3. GAS SUPPLY:

NATURAL GAS

The heater comes pre-piped with a flexible hose assembly inside the pole with 3/8" male flared fitting for hook-up to a 5" w.c. Natural Gas supply. This heater requires a natural gas pressure regulator (not supplied). Heaters may be connected to a regulator individually or in zones. Regulators must be properly sized and adequate for each particular installation.

PROPANE

The heater comes equipped with a hose assembly for hook-up to a propane gas supply.

- **Never use a propane supply with a damaged valve connection.**
- **Never connect an unregulated propane supply to the heater**

Although gas connections on the heater are leak tested at the factory prior to shipment, potential hazards could result during shipment. Therefore, For Your Safety a complete gas tightness check of all connections and hoses must be performed at the installation site, prior to use as per code.

TO LEAK TEST:

Make a soapy solution part liquid detergent and one part water. The soap solution can be applied with a spray bottle, brush or rag. Soap bubbles will appear where a gas leak is present.

GAS REQUIREMENTS AND LEAK TESTING:

NATURAL GAS:

**NEVER CONNECT AN UNREGULATED GAS SUPPLY TO THE HEATER.
This heater requires a natural gas pressure regulator (not supplied)**

PRECAUTIONS:

- Periodically check the whole system for leaks or if the smell of gas is detected.
- Extinguish all open flames.
- Never smoke while leak testing.
- If you can not stop a leak, turn off the gas supply and call a qualified and licensed technician, or your gas supplier.
- Only those parts recommended by the Manufacturer should be used. Substitution will void the warranty.
- **Do not use the heater until all connections have been leak tested and are sound !!!**

GAS REQUIREMENTS:

- Maximum inlet pressure to heater must not exceed 5" w.c.
- Heater manifold pressure required to maintain correct burner input is 5" w.c.
- The installation must conform with local codes, or in the absence of local codes, with National Fuel Gas Code.

3.1 Series 4N51/62, 44N5/6 specifications:

- Manifold pressure 5" w.c. maximum / 2" w.c. minimum
- Maximum Inlet gas supply pressure 5" w.c.
- Maximum operating input rating 45,000 BTUH @ 5" w.c.
- Low fire input rating 24,000 BTUH @ 2" w.c.
- Effective radiant range 8 to 20 foot circle (affected by wind and ambient temperature)
- Fuel N.G.
- Net Weight 60 lbs .
- Certifications CSA International US and Canada

PROPANE:

NEVER CONNECT AN UNREGULATED GAS SUPPLY TO THE HEATER.

PRECAUTIONS:

- Periodically check the whole system for leaks or if the smell of gas is detected.
- Extinguish all open flames. Perform ALL leak testing **outdoors**.
- Never leak test while smoking.
- If you can not stop a leak, turn off the gas supply and call a qualified and licensed technician, or your gas supplier.
- Only those parts recommended by the Manufacturer should be used. Substitution will void the warranty.
- **Do not use the heater until all connections have been leak tested and are sound !!!**

GAS REQUIREMENTS:

- Maximum inlet pressure to propane regulator must not exceed 125 psi.
- A Minimum supply pressure of 11.0" w.c. is required to maintain correct burner input.
- The pressure regulator and hose assembly supplied with the appliance **MUST** be used. Any replacement pressure regulator and hose must conform to standards & specifications of the Manufacturer and all local codes.
- The installation must conform with local codes, or in the absence of local codes, with National Fuel Gas Code.

3.2 Series 4L51/62, 44L5/6 specifications:

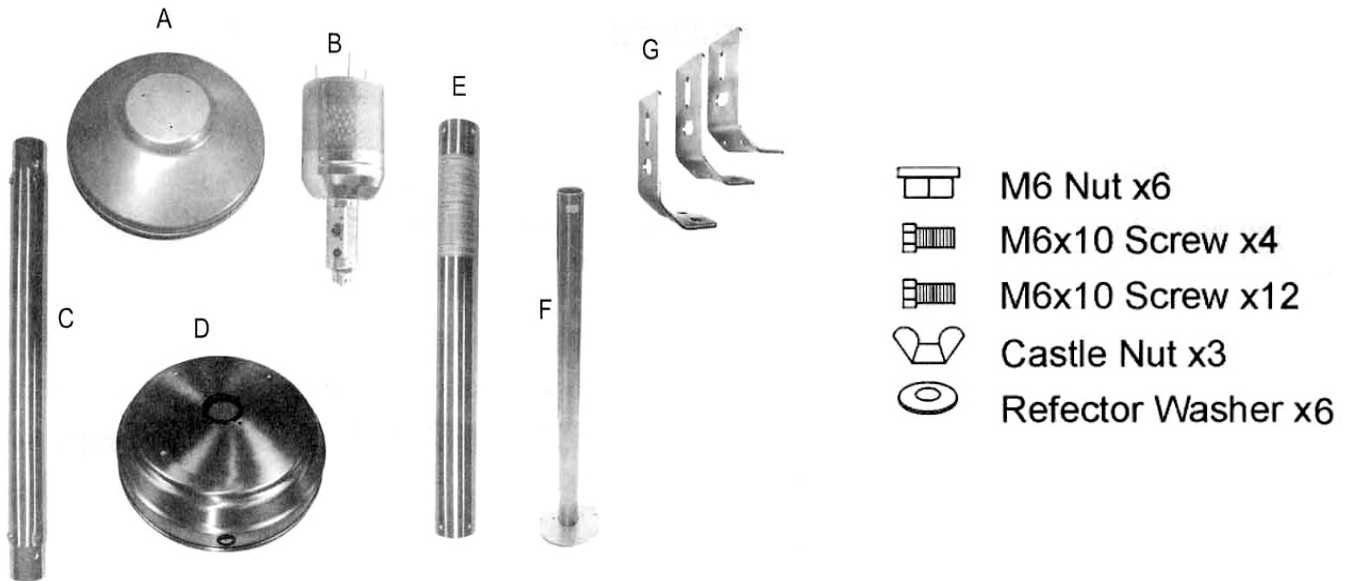
- Operating pressure 11" w.c.
- Inlet gas supply pressure minimum 5 psi / maximum 125 psi
- Maximum operating input rating 46,000 BTUH
- Low fire input rating 26,500 BTUH
- Effective radiant range 8 to 20 foot circle
(effected by wind and ambient temperature)
- Fuel Propane
- Net Weight 60 lbs
- Certifications CSA International US and Canada

4. MAIN COMPONENTS AND TOOLS REQUIRED FOR ASSEMBLY

Tools Needed: (not supplied)

Adjustable Wrench, Slip Joint Pliers, Phillips Screwdriver-Medium Blade (#2 or #3 blade), Hammer, 3/8" Masonry Drill Bit (if mounting on concrete patio), Teflon Plumbing Tape for Joints, Spray Bottle of Soapy Water or Paint Brush and soapy water (to check leaks)

Parts Supplied:



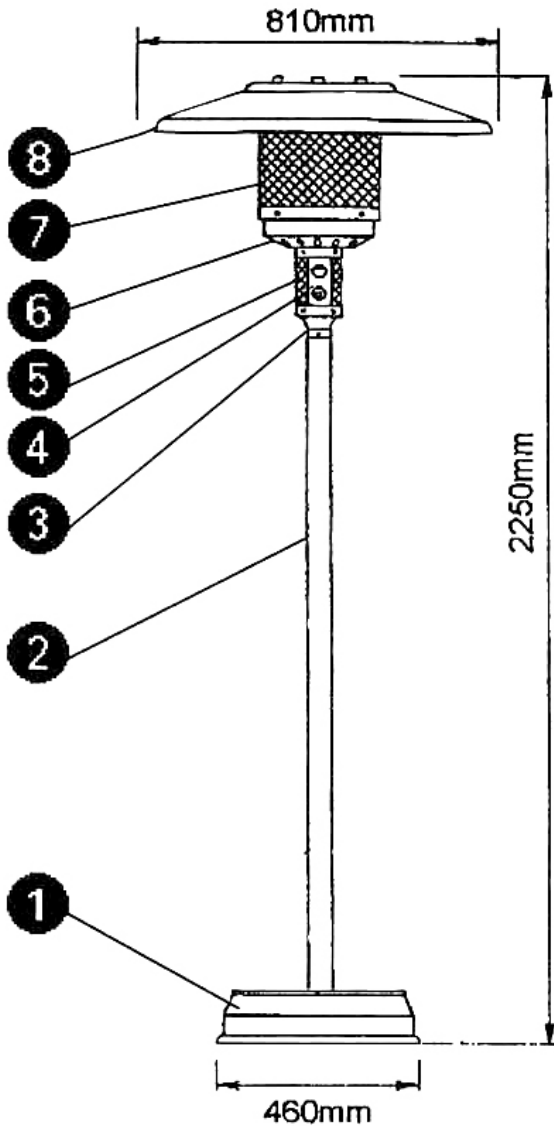
- Main Burner / Head Assembly Unit
- 66" Flexible Gas Hose with brass fittings.
- 32" Aluminum Reflector (5 Piece).
- 2 3/8" x 61" Pole.
- 2 3/8" x 5 1/2" (c/w 8" Flange) Floor Mount Adapter.
- 2 3/8" x 12 3/4" Concrete Embedded Adapter.
- 13" Diameter Domed Base Cover.
- 4 - 3/8" Concrete Lag Bolts.
- 4 -Phillips 10 mm Screws for Burner to post
- 6 -Phillips 10 mm Screws for Post to Floor Adapter.
- 3 - M8-125 Wing Nuts for Top Reflector.
- 6 -Washers for Top Reflector.
- 12 x 1/4" Acorn Nuts for Top Reflector Assembly.
- 12 x 1/4" Washers for Top Reflector Assembly.
- 1" x 7" Ribbed UV Protector for Hose
- AAA Igniter battery.

Note: Gas Pressure Regulators are required (not supplied)
(see Connection and Testing)

Models 4N/L51, 44N/L5 include stainless post and base.
Models 4N/L62, 44N/L6 include black powder coated post and base.

All other components are common for Models
4N/L51, 44N/L5 & 4N/L62, 44N/L6 .

5. MAIN COMPONENTS AND DIMENSIONS

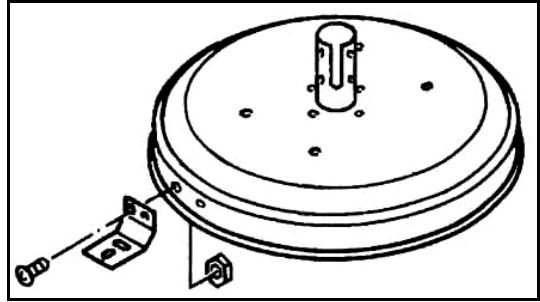


- ⑧ Reflector Canopy
- ⑦ Flame Emitter Screen
- ⑥ Burner Base
- ⑤ Air Admittance Fences
- ④ Gas Valve Controller
- ③ Control Housing Base
- ② Post
- ① Base

6. ASSEMBLY INSTRUCTIONS

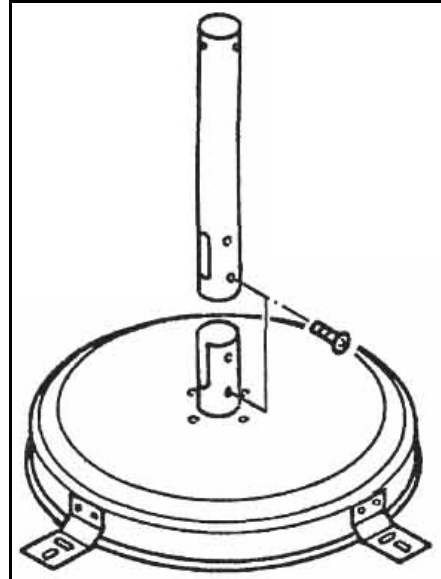
Using screws, place L-shaped stabilizers to bottom base.

Secure with nut on inside of bottom base.



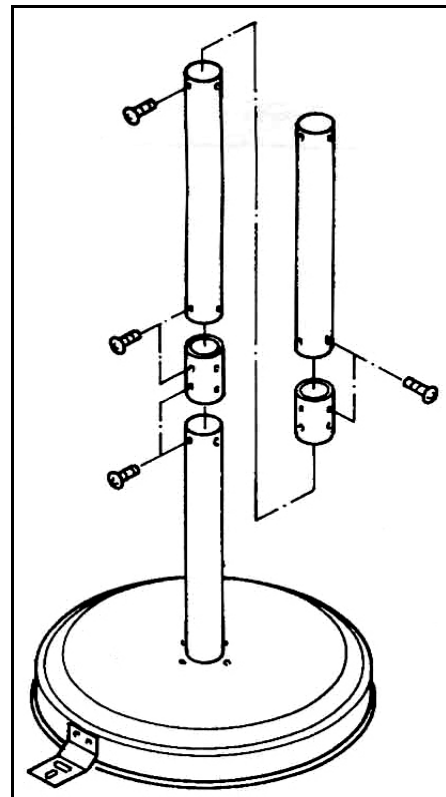
Place base post on the bottom of the base in upward position.

Secure using screws.



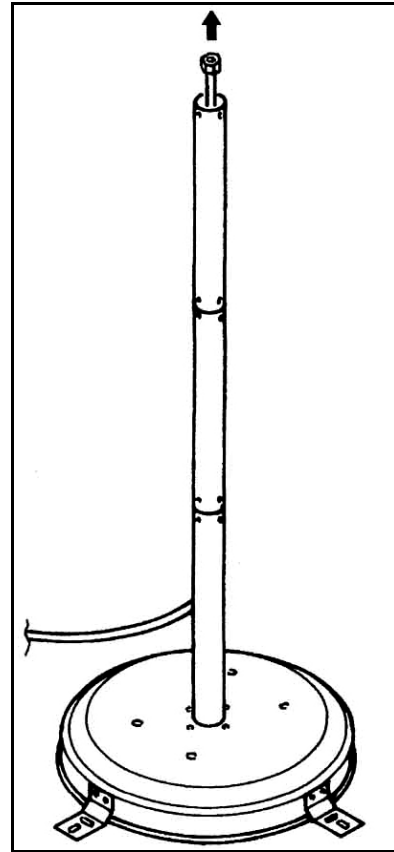
Connect all center post sections together.

Secure with screws.



ASSEMBLY..... CONTINUED

Place hose through the opening on bottom base.
Pull hose through upward inside center pole.

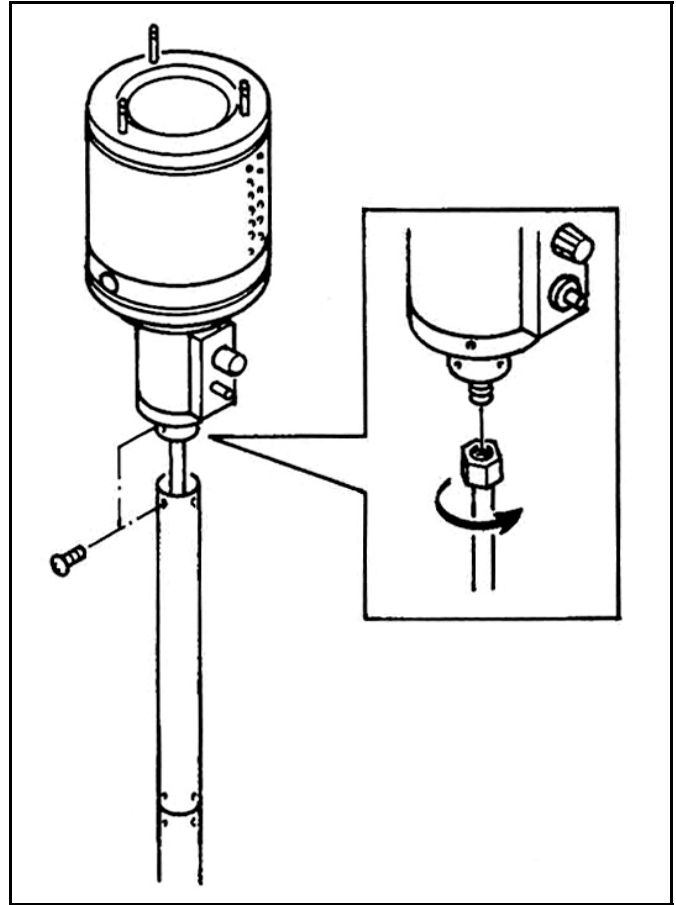


Insert the gas hose provided, into the top of the pole
feeding it down inside right to the bottom.

Push the gas hose all the way down until it reaches
the bottom, pulling it out through the side opening.
Fit the 1" x 7" ribbed gas hose protection sleeve
over the end of the gas hose connection and slide it
all the way over the fitting onto the hose.

ASSEMBLY..... CONTINUED

Connect hose to valve by turning tight.
Secure entire top burner assembly to center post with screws that are already affixed to the burner assembly.



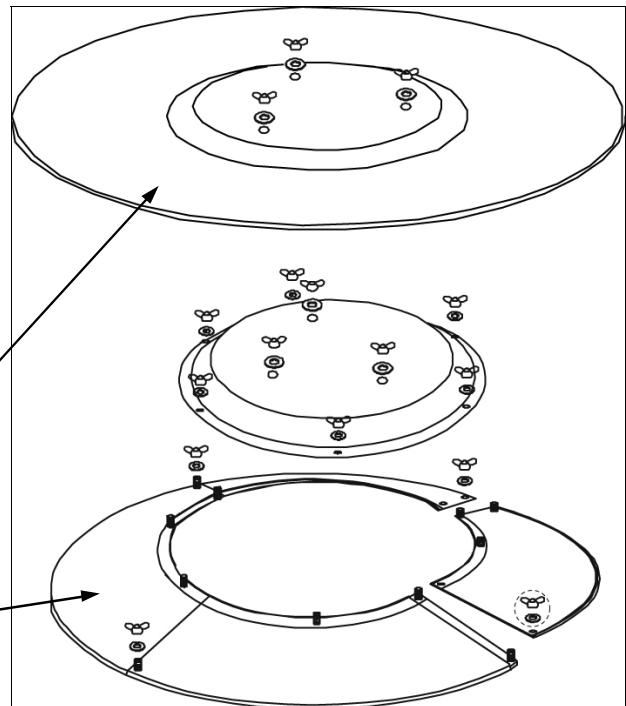
5 piece Sectional Reflector:

Assemble the reflector pieces to the centre piece using the 12 1/4" washers and secure with M8-125 butterfly wing nuts.



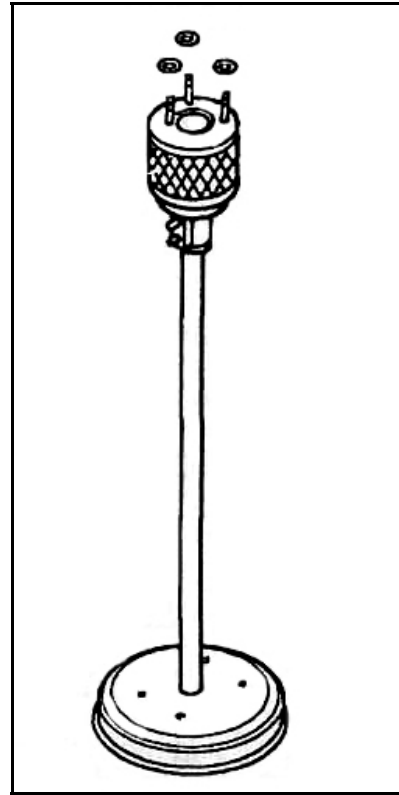
one piece
option (32" dia)

5 piece section
reflector (32" dia)

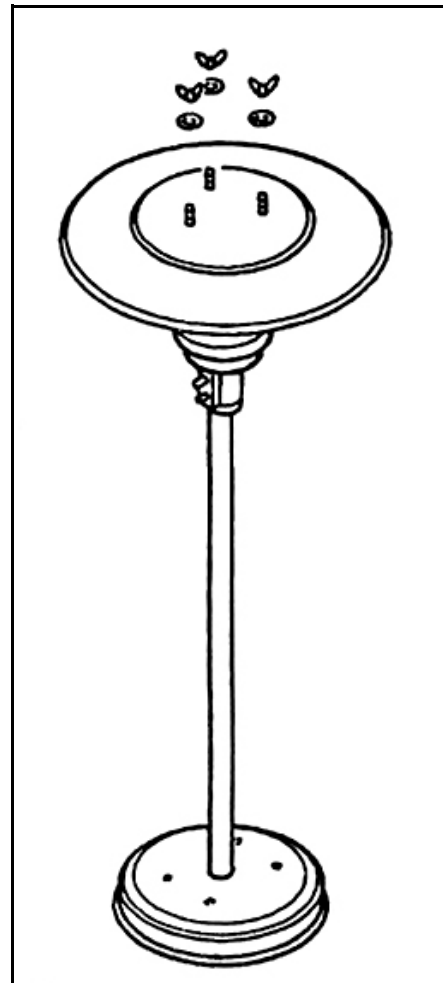


ASSEMBLY..... CONTINUED

Place a steel washer over each bolt on the burner top, before installing the Top Reflector. Position the assembled Reflector over the 3 bolts.



Place a steel washer over each bolt on the burner top after installing the Top Reflector. Then secure with M8-125 butterfly wing nuts.



ASSEMBLY..... CONTINUED

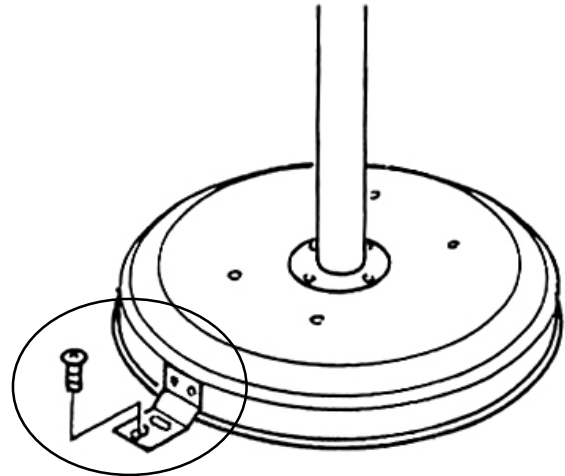
If placing on concrete patio only:

Drill 3 holes 1 3/4" deep using the 3/8" masonry drill bit (not supplied). Insert the 3 x 3/8" lag bolts provided, tapping them in using the hammer shaft until the washer stops it at the floor. Tighten the nuts down tight and the stud threads will get longer.

Remove the nuts and washers, leaving 3 x threaded studs sticking out of the concrete.

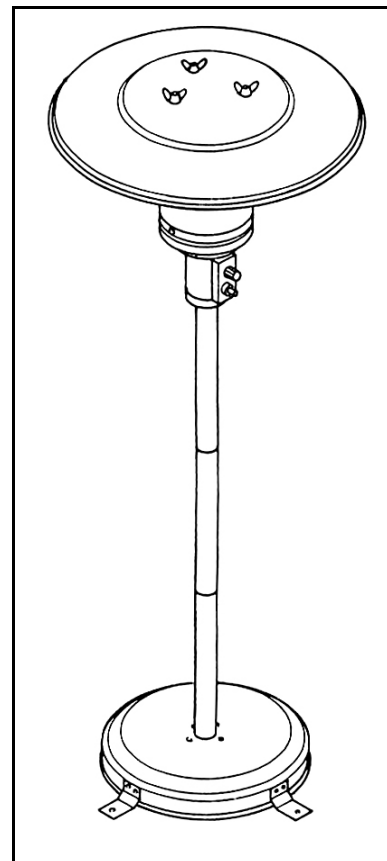


Bolt 3 bolts down into the ground to secure heater into place through the opening on the L-shaped stabilizers.



Check that the center post and the burner assembly stand vertically as shown.
Make sure all bolts and nut pairs are tightened.
Ensure correct connection by local gas professional.

Setup is now complete.



6. CONNECTION AND TESTING:

NATURAL GAS CONNECTION:

- Connect the Natural Gas supply line to the flexible hose at the base of the pole as per gas code.
- A 5" w.c. Gas Pressure Regulator is required (not supplied) after the shut off valve to each heater or zone.

PROPANE CONNECTION:

- Connect the Propane Gas supply line to the flexible hose at the base of the pole as per gas code.
- A 10" w.c. Gas Pressure Regulator is required (not supplied) after the shut off valve to each heater or zone.

LEAK TEST:

Now that the heater is assembled, for your safety you must perform a leak test of all connections and hoses,

Mix equal parts of water and soap, brushing mixture on all joints.

1. Ensure that the heater gas control knob is fully closed by turning completely clockwise.
2. Open gas valve
3. Apply the soap solution generously to all connections and hoses.

If you detect bubbles, there **IS** a leak. Close gas valve completely.

Retighten the leaking connection and repeat leak test process, until **ALL** leaking has ceased, no matter how small.

If the leak cannot be repaired permanently, close the gas valve completely and contact a qualified and licensed gas technician.

7. A SAFE LOCATION FOR THE HEATER:

Caution:

The main application of this heater is to provide radiant heat comfort in the outdoors, at poolside, spa areas, terraces, patios and work areas, etc. It is necessary to provide “wind breakers”, against wind and breezes.

When objects are left under a heater in operation, such objects will be subject to radiant heat and could be damaged.

NOTE : This heater is approved for outdoor use only:

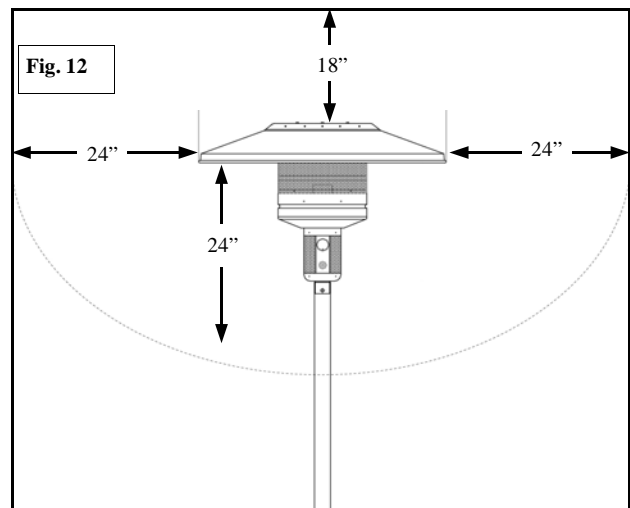
- Respect minimum clearances to combustibles as shown in figure 12 below.
- Install heater on a levelled, solid and stable surface.
- Do not install in an explosive environment. Keep away from areas where gas vapours are present or inflammable liquids are stored or used.
- In case of high winds, completely shut-off the heater and gas valve. Remove reflector dome if necessary

7.1 CLEARANCES FROM COMBUSTIBLES:

The clearances to combustibles are established at points reaching a surface temperature of 160⁰ F. Some materials such as awnings or plastic may require higher distances.

Respect clearances as shown:

- Sides of Reflector: 24 inches
- Above Reflector: 18 inches
- Below Reflector: 24 inches



8. OPERATION AND LIGHTING INSTRUCTIONS:



TO TURN ON:

1. From 'OFF' position, turn knob 90° counter-clockwise push and hold in.
2. Press the igniter until a flame is established.
3. Release the knob and check if the flame stays on.
4. If the flame goes out, repeat steps 1 & 2 above.
5. For maximum temperature, turn knob fully counter-clockwise.

TO TURN OFF:

1. Turn the knob clockwise until it stops.
2. Depress knob and turn fully clockwise to shut of the gas supply completely

Warning:

A 5 minute complete shut off period is required before the appliance is re-lighted.

In very strong winds, turn off the heater, turn off the gas cylinder valve. Allow the heater to cool down before moving it to a sheltered location. **DO NOT** move the heater while it is hot.

9. TROUBLE SHOOTING

WARNING: IMPROPER ADJUSTMENTS, BAD MAINTENANCE OR SERVICING PROCEDURES CAN CAUSE SEVERE PROPERTY DAMAGE

THIS SECTION IS FOR, CERTIFIED AND LICENSED GAS TECHNICIANS ONLY

PROBLEM	PROBABLE CAUSE	SOLUTION
Burner will not light	Gas valve may be in OFF position	Turn the gas valve ON
	Pilot Orifice blocked	Clean or replace orifice
	Air in supply system	Purge air from lines. Open gas line valve & depress control knob for approx 2 mins.
	Loose connection	Check igniter lead and fittings.
	Electronic Igniter 'AAA' 1.5v Battery Dead	Check and replace if necessary
	1st time ignition	Purge air from lines
	Igniter assembly bent/or not in the correct position to ignite.	Check set-up and re-position then retry.
	Igniter failure	You can light pilot manually with a match or taper.
Burner will not stay on	Debris or dirt around the pilot	Clean pilot area
	Loose connections	Tighten Connections
	Thermocouple faulty	Replace Thermocouple
	Gas leak in the line	Check ALL connections
Low Burner flame	Gas pressure is low Spider or insect cocoon	Check gas pressures with manometer. Check for restricted or plugged orifice.
Burner Unit	Carbon on reflector & emitter screen or Thick black smoke.	Clean components as needed, check for probable cause, and rectify.

9.1 STORAGE

When heater is not in use for a prolonged period of time verify that the gas valve is fully and tightly closed. To avoid damage, the reflector may be removed.

9.2 PREVENTATIVE CARE AND MAINTENANCE

The burner area is likely to attract spiders, especially inside orifices. Once a year, the heater should be inspected for spider webs, insects, and debris around burners and orifices. Plugged injectors or orifices will obstruct the gas flow to the burner. This will result in burner malfunction or possible damage.

Have heater inspected if.....

- you smell gas combined with yellow tipped flames on burner.
- heater does not provide expected heat capacity
- burner makes little popping sounds while operating, other than when shutting down after being turned off. When heater is warming up or cooling down a pinging metallic noise is normal.

9.3 SAFETY

- Check periodically for leaks in the system, or immediately when you smell gas.
- In case a leak is detected, extinguish all open flames in the area.
- Never leak test while smoking.
- If you cannot repair a leak, turn off gas supply at the supply valve and contact your gas supplier or a qualified, licensed gas technician.
- Do not alter or modify this heater in any way



**FOR GAS-FIRED INFRA-RED PATIO HEATERS : 4001/2 (-J), 4N11/2 (-J) / 4401/2(-J), 44N1/2(-J)
4N/L51, 4N/L62 (-J) / 44N/L5, 44N/L6 (-J) SERIES**

The Manufacturer warrants that this product is free from defects in material or workmanship under normal use and service subject to the terms of this document.

COMPONENT PARTS - ONE YEAR WARRANTY

Subject to the conditions and limitations stated herein, during the term of this limited warranty, we will supply any component part (at our option a new or repaired component part) of the heater, as defined below, excluding any labor, which the Manufacturer's examination determines to be defective in workmanship or material for a period of one year (1 year) from the date of installation, unless otherwise specified below. This warranty applies to the heater's original owner, and subsequent transferees and only if the unit is installed and operated in accordance with the printed instructions accompanying the unit and in compliance with all applicable installation, building codes and good trade practices.

BURNER AND MANTLE - THREE YEAR WARRANTY

The Manufacturer warrants the burner and mantle for a period of three years. (3 years)

WHAT IS NOT COVERED

The Manufacturer shall not be responsible for any expenses, including service, labor, diagnosis, analysis, material or transportation charges incurred during removal or reinstallation of this product, or any of its components or parts. All labor or service charges shall be paid by the owner. This warranty does not cover heating products improperly installed, misused, exposed to or damaged by negligence, accident, corrosive or contaminating atmosphere, water, excessive thermal shock, impact, abrasion, normal wear due to use, alteration or operation contrary to the owner's manual or if the serial number has been altered, defaced or removed. This warranty shall not apply if the input to the heating product exceeds by more than 2% of the rated input on the rating plate. The Manufacturer shall not be liable for any default or delay in performance by its warranty caused by any contingency beyond its control, including war, government restrictions, or restraints, strikes, fire, flood, acts of God, or short or reduced supply of raw materials or products.

WARRANTY PROCEDURE

To establish the installation date for any purpose under this Limited Warranty, you must retain the original records that can establish the installation date of your unit. If you do not provide such documents, the start date of the term of this Limited Warranty will be based upon the date of unit manufacture, plus thirty (30) days. Failure to maintain the equipment through regular annual service maintenance by a qualified service technician shall void the warranty.

LIMITATIONS AND EXCLUSIONS

This document contains all warranties made by the Manufacturer and may not be varied, altered or extended by any person. There are no promises, or agreements extending from the Manufacture other than the statements contained herein. **THIS WARRANTY IS IN LIEU OF ALL WARRANTIES EXPRESSED OR IMPLIED, TO THE EXTENT AUTHORIZED BY THE LAWS OF THE JURISDICTION, INCLUDING SPECIFICALLY THE WARRANTIES OR MERCHANTABILITY OF FITNESS FOR A PARTICULAR PURPOSE.**

It is understood and agreed that the Manufacturer's obligation hereunder is limited to repairing or replacing parts determined to be defective as stated above. In no event shall the Manufacturer be responsible for any alleged personal injuries or other special, incidental or consequential damages. As to property damages, contract, tort or other claim the Manufacturer's responsibility shall not exceed the purchase priced paid for the product.

All replacement parts will be warranted for the unused portion of the warranty coverage period remaining on the applicable unit.

Some Authorities do not allow certain warranty exclusions or limitations on how long a warranty lasts or the exclusions or limitations of incidental or consequential damages. In such cases, the above limitations or exclusions may not apply to you and are not intended to do so where prohibited by law. This warranty gives you specific legal rights. You may also have other rights which vary by each jurisdiction.

**5285 BRADCO BLVD. MISSISSAUGA, ON, L4W 2A6
2 SCHWANK WAY, WAYNESBORO, GEORGIA. 30830-8336**

**SCHWANK
INFRASAVE**

**Ph: 905-712-4766 Fax: 905-712-8336
Ph: 1-866- INFRASV (463 7278) Fax: 1-866-724 -9265**

GP-D400-BX-03B
4000 (-J) SERIES
WARRANTY
March 2006
RL: 3B
KH