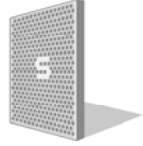


SUBMITTAL DATA

Schwank
INNOVATIVE HEATING SOLUTIONS



compactSchwank Model: P40-R

GAS-FIRED VENTED ROOM HEATER
VENTED OVERHEAD RADIANT TYPE

Model P40-R has been design certified to ANSI Z21.86 / CSA 2.32 Vented Gas-Fired Space Heating Appliances (Vented Overhead Heater).

Model P40-R may be installed for heating of an indoor residential garage, workshop, or greenhouse. This heater can also be installed in light commercial/industrial locations.

This heater must **not be installed in any dwelling area** of a residence, nor in a basement, mobile home, or recreational vehicle.

This heater is not for installation in a Class 1 or Class 2 explosive environment. If the application is in question, consult with local authorities having jurisdiction (Fire Marshall, inspection department, insurance underwriter, or other authority having jurisdiction).

PROJECT:	
ENGINEER:	
CONTRACTOR:	
DISTRIBUTOR:	
SCHWANK MODEL #:	P40-R
FUEL:	<input type="checkbox"/> N.G. <input type="checkbox"/> L.P.G.
APPROVED BY:	
DATE:	
APPROVAL #:	



NOTICE:

Schwank reserves the right to make changes to equipment and specifications without obligation or notification.

This publication, or parts thereof, may not be reproduced in any form, without prior written consent from Schwank.
Unauthorized use or distribution of this publication is strictly prohibited.

Schwank

2 Schwank Way
Waynesboro, Georgia,
USA 30830

5285 Bradco Boulevard
Mississauga, Ontario,
L4W 2A6

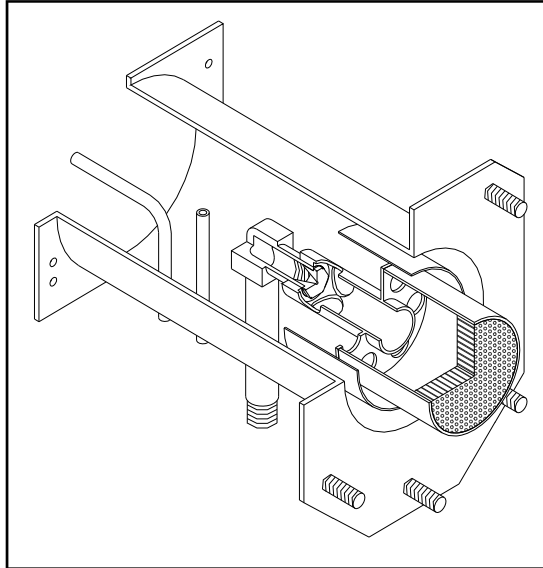
Customer and Technical Services
Phone: 1-877-446-3727
Fax: 1-866-361-0523

e-mail: csr@schwankgroup.com

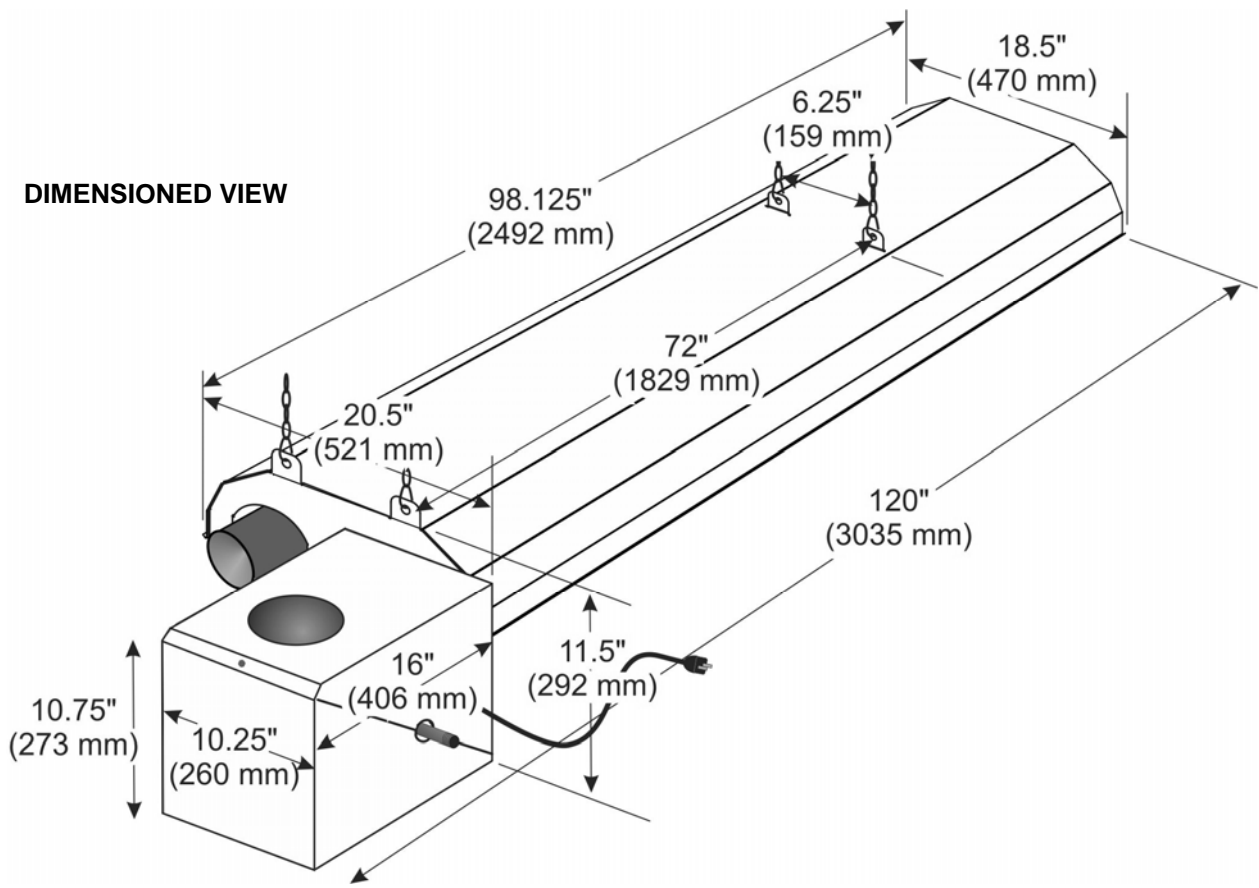
www.schwankgroup.com

Quantity On Project	
P40-R	Indoor Residential Garage/Workshop, Commercial / Industrial
	Dimensions: 120" L x 20" W x 12" H (3035 mm x 508 mm x 305 mm)
P40-R Model:	Factory assembled (burner to tube/reflector system)
Capacity:	40,000 Btuh (12kW) 0 to 4,500 ft. (1,370 m) ABOVE SEA LEVEL
Shipping Weight :	105 lb. (47.6 kg)
Assembly Weight:	96 lb (43.5 kg)
Turbulator:	36" (914 mm) Burner side tube; 90" (2286 mm) Vent side tube
Flue Vent / Air Duct:	4" (102 mm)
Gas Inlet:	1/2" NPT (12.7 mm)
Manifold Pressure:	3.5" w.c. NG (0.87 kPa); 10" w.c. LPG (2.49 kPa)
Line Minimum:	5" w.c. NG (1.25 kPa); 11" w.c. LPG (2.74 kPa)
Line Maximum:	14" w.c. NG or LPG (3.49 kPa)
Electrical:	120V, 60 HZ 145 VA
Thermostat:	Factory ready for 24Vac or 120Vac thermostat

CUT-AWAY BURNER VIEW

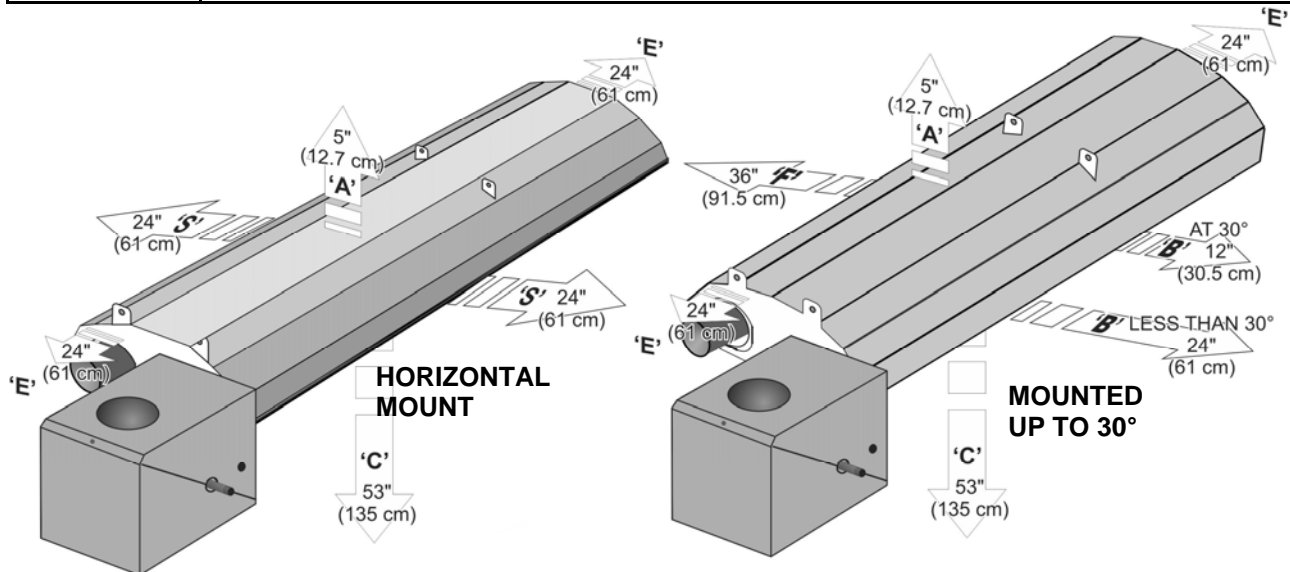


<u>OPTIONAL ACCESSORIES</u>		QTY ON PROJECT
ROOF VENT TERMINAL 102 mm (4")	JA-0530-XX	
ROOF VENT TERMINAL 152 mm (6")	JA-0531-XX	
WALL VENT TERMINAL 102 mm (4")	JA-0528-XX	
WALL VENT TERMINAL 152 mm (6")	JA-0529-XX	
FLUE VENT TEE (102 mm x 102 mm x 152 mm) (4" x 4" x 6")	JA-0514-XX	
COUPLING KIT FOR TEE	JA-0516-SW	
TRU-TEMP 24V SET BACK THERMOSTAT	JM-0150-XX	
24 VOLT DIGITAL THERMOSTAT	JS-0569-WR	
THERMOSTAT 120 VOLT	JL-0772-XX	



MINIMUM CLEARANCES TO COMBUSTIBLE SURFACES OR MATERIALS

MODELS	SUSPENDED HORIZONTALLY			SUSPENDED AT AN ANGLE UP TO 30 DEGREES				
	A: TOP inches (cm)	C: BELOW inches (cm)	S: SIDES inches (cm)	A: TOP inches (cm)	C: BELOW inches (cm)	F: FRONT inches (cm)	B: BACK AT 30° inches (cm)	B: BACK < 30° inches (cm)
P40-R	5 (12.7)	53 (135)	24 (61)	5 (12.7)	53 (135)	36 (91.5)	12 (30.5)	24 (61)
E: 'U' END of heater : 24" (61 cm) (horizontal or angled)								



COMPONENT DESCRIPTION

	IGNITION	HONEYWELL DIRECT SPARK MODULE
	THERMOSTAT OPTIONS	SCHWANK TRU-TEMP (24V) SET BACK THERMOSTAT WITH RADIANT & AMBIENT SENSORS, AND AUTOMATIC UNOCCUPIED SETBACK MODE
		24V DIGITAL THERMOSTAT NOTE: MULTIPLE HEATERS PER 24V THERMOSTAT REQUIRE CONTROL CENTER KIT JM-0303-KT
		LINE VOLTAGE THERMOSTAT
		THERMOCONTROL PLUS CONTROLLER
	HEATER 'U' TUBE	16 GA. x 4 Inch (102 mm) DIAMETER ALUMINIZED STEEL SWAGED AT VENT END
	COMBINATION GAS VALVE	HONEYWELL 24 VOLT NATURAL GAS: 3.5" w.c. (0.87 kPa) AT MANIFOLD <input type="checkbox"/> PROPANE GAS: 10" w.c. (2.49 kPa) AT MANIFOLD <input type="checkbox"/>
	REFLECTORS	ALUMINIZED STEEL REFLECTORS ARE CLOSED AT START AND END OF TUBE SYSTEM BY MEANS OF END PLATE HANGERS
	HANGERS	EXTEND THROUGH REFLECTOR; SUSPENSION 72" (1829 mm) ON CENTER
	BURNER	HOUSING BOTTOM FOLDS AWAY, PROVIDING ACCESS FROM TWO SIDES, END AND BOTTOM
		INCORPORATES EFFECTILE CERAMIC BURNER HEAD WITH MINIMUM OF 835 GAS/AIR PORTS
		COMPLETE WITH OPERATION STATUS INDICATOR LIGHTS
	TRANSFORMER	120/24VAC; 20VA
	SAFETY SWITCHES	TWO SEPARATE AIR PRESSURE SWITCHES PROVE ADEQUATE COMBUSTION AIR AND SENSE BLOCKED FLUE
	STATUS INDICATOR LIGHTS	GREEN: CALL FOR HEAT; YELLOW: IGNITION TRIAL; RED: FLAME ESTABLISHED
	COMBUSTION AIR	TAKEN FROM SPACE: <ul style="list-style-type: none"> • USA: In accordance with Section 9.3 ANSI Z223.1 / NFPA-54 for a fan-assisted appliance. • Canada: In accordance with CSA B149.1: 4 in² (2,600 mm²) required free area of air-supply opening [acceptable round opening of approximate 2.25 in (57 mm) diameter].
	TERMINAL BLOCK	ALL WIRING CONNECTIONS BY MEANS OF COMMON TERMINAL BLOCK; JUMPER: FOR 120V THERMOSTAT; REMOVE FOR 24V THERMOSTAT
	ELECTRICAL CORD	1220 mm (4') LENGTH 16/3 ELECTRICAL SUPPLY CORD WITH 3 PIN GROUNDED PLUG