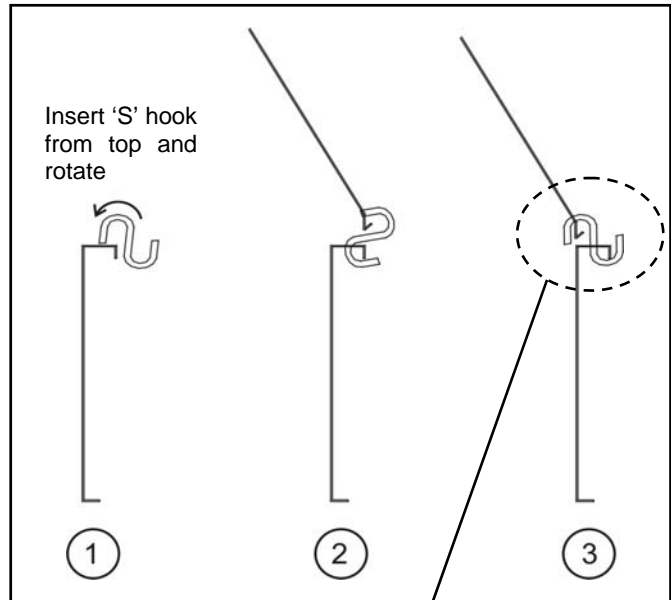
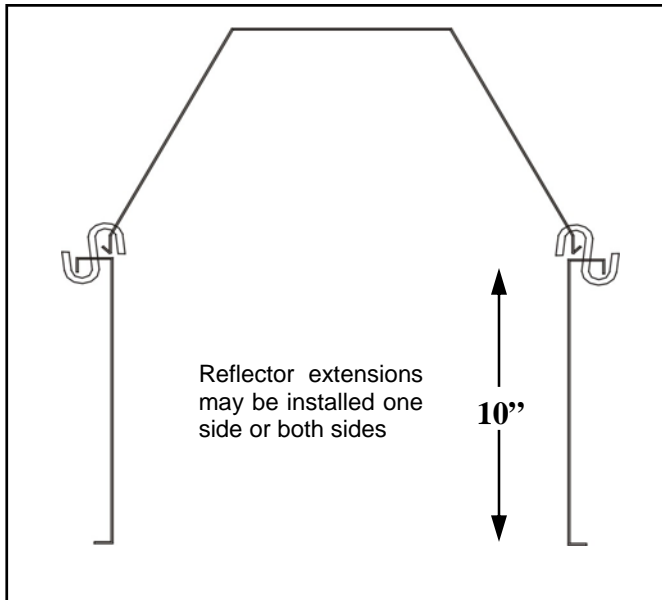


REFLECTOR EXTENSIONS (OPTIONAL - IF REQUIRED)



1. Reflector extensions can be installed on one side or both sides of the reflector
2. Reflector extensions are 116" in length
3. Holes (3) for "S" hooks are located 2.25" from each end and one at the center (58")
4. Drill 1/4" holes in the reflector 3/4" up from the bottom edge of the reflector to align with the holes along the length of the reflector extension
5. Insert "S" hooks down from the top of the reflector extension
6. Rotate "S" hook approx. 90°, and insert into holes in reflector
7. Settle into place

