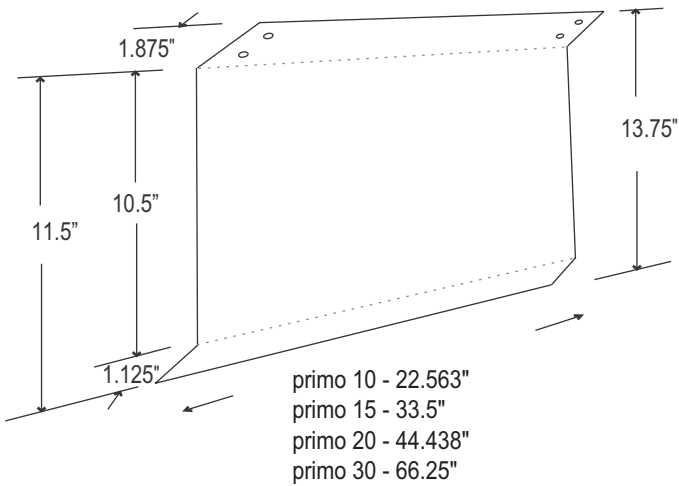
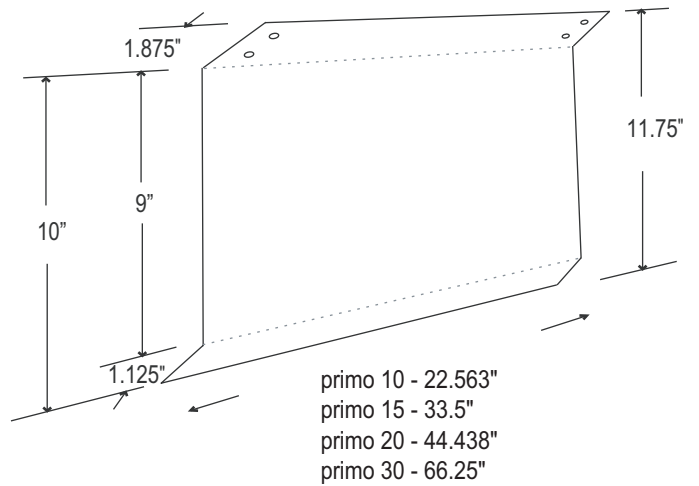


primoSchwank Reflector Extension Installation Instructions

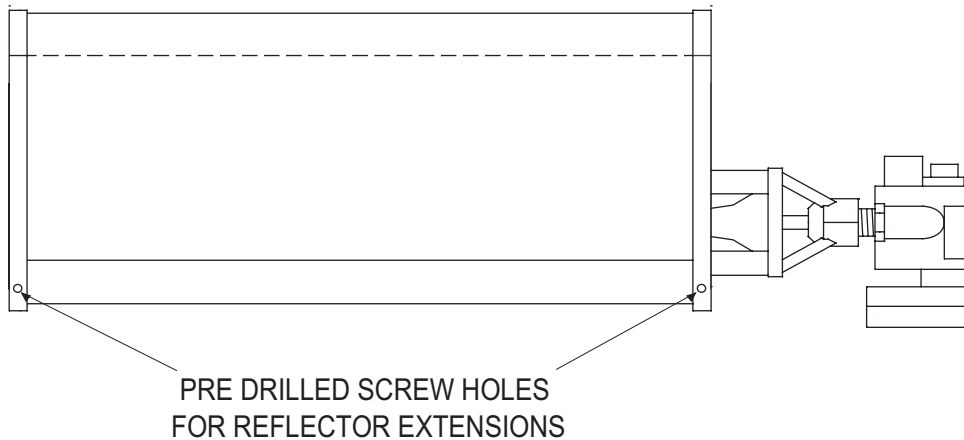
REFLECTOR EXTENSION - VENTURI SIDE



REFLECTOR EXTENSION - SINGLE SIDE



SIDE VIEW



END VIEW

ATTACH REFLECTOR EXTENSION
TO PRE DRILLED SCREW HOLE

Reflector Extension - Venturi Side
primo 10 - JO-0339-XX
primo 15 - JO-0342-XX
primo 20 - JO-0340-XX
primo 30 - JO-0341-XX

ATTACH REFLECTOR EXTENSION
TO PRE DRILLED SCREW HOLE

Reflector Extension - Single Side
primo 10 - JO-0336-SG
primo 15 - JO-0342-SG
primo 20 - JO-0337-SG
primo 30 - JO-0338-SG