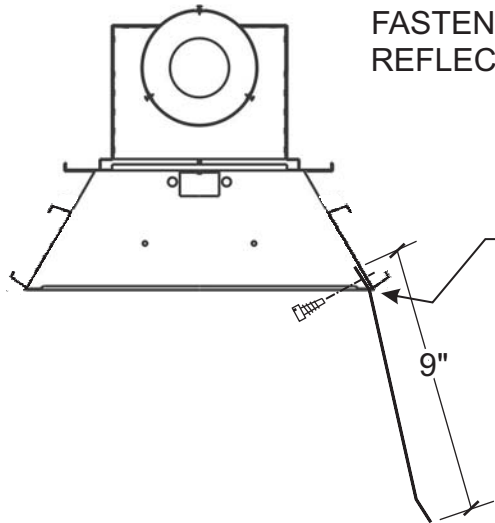


ECOSCHWANK / IL MODELS REFLECTOR EXTENSION INSTALLATION

Reflector Extensions: Same length as heater model reflector; 9 inches wide (deep); Long edges bent for strength; Pre-punched mounting holes align with heater reflector holes; Kits include sufficient quantity of self-tap screws and 'S'-hooks for attachment.

METHOD 1: TYPICALLY USED FOR HORIZONTALLY MOUNTED HEATER:

FASTEN REFLECTOR EXTENSION INSIDE HEATER REFLECTOR(S) USING SELF-TAP SCREWS



ALIGN BEND EDGE OF REFLECTOR EXTENSION TO BOTTOM EDGE OF HEATER REFLECTOR

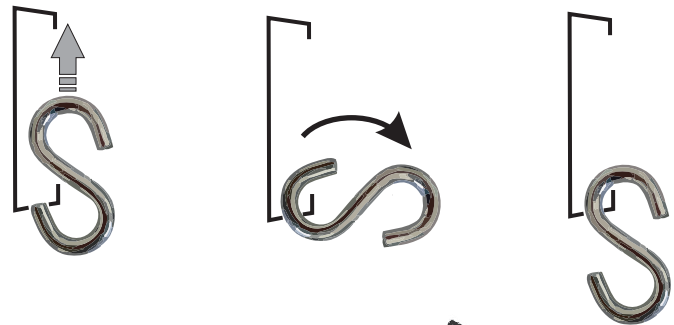
USE SELF-TAPPING SCREWS (2 OR 3 SUPPLIED) THROUGH PRE-PUNCHED HOLES IN REFLECTOR EXTENSION TO FASTEN TO HEATER REFLECTOR

METHOD 2: TYPICALLY USED FOR ANGLE MOUNTED HEATER:

REFLECTOR EXTENSION SUSPENDED VERTICALLY BELOW HEATER USING 'S'-HOOKS (2 OR 3 SUPPLIED)

INSTALL 'S'-HOOKS "UP" THROUGH HOLES IN BOTTOM EDGE OF HEATER REFLECTOR

ROTATE HOOK TO VERTICAL POSITION



INSERT 'S'-HOOKS THROUGH PRE-PUNCHED HOLES IN REFLECTOR EXTENSION AND SUSPEND FROM 'S'-HOOKS

