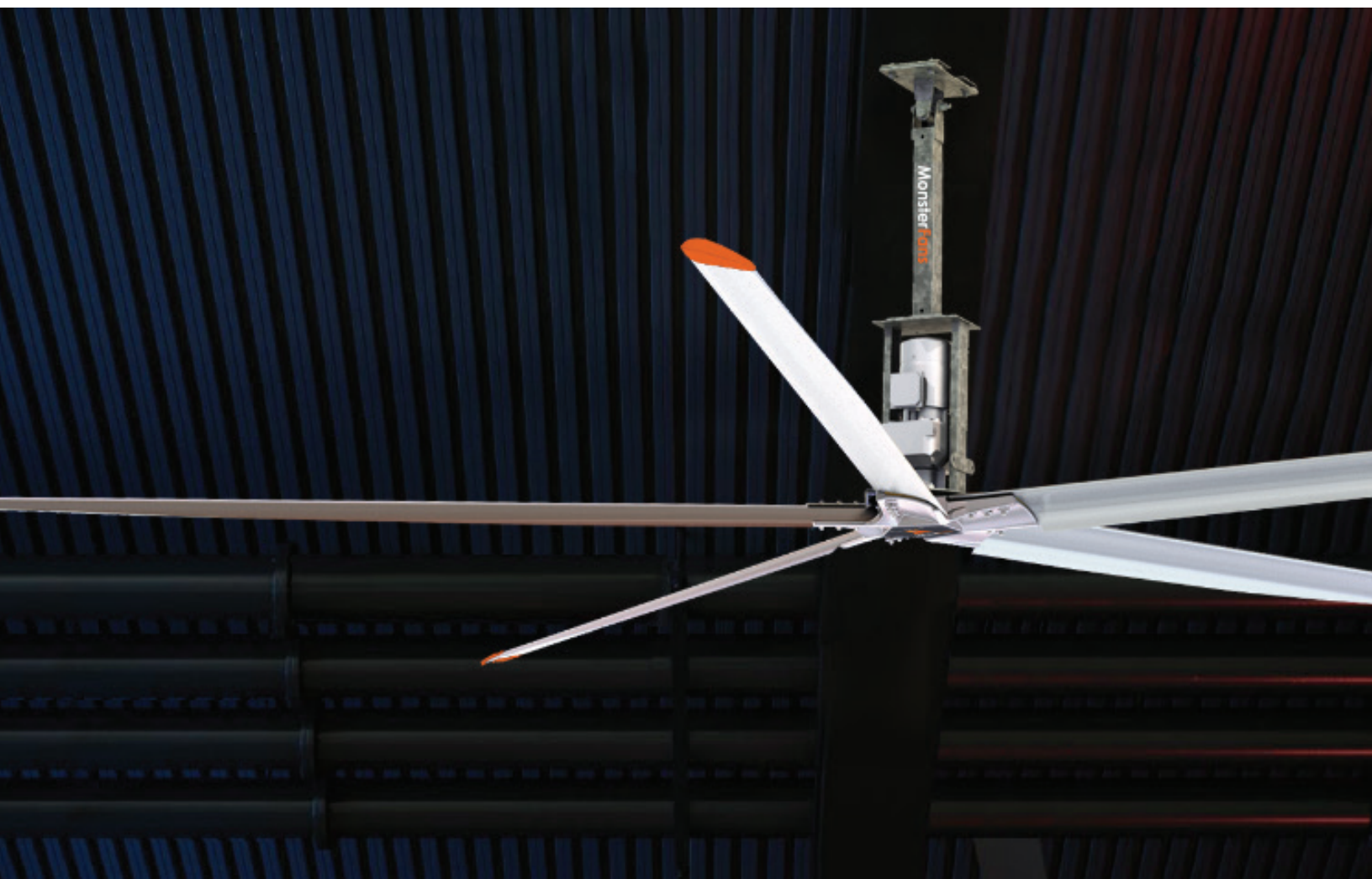


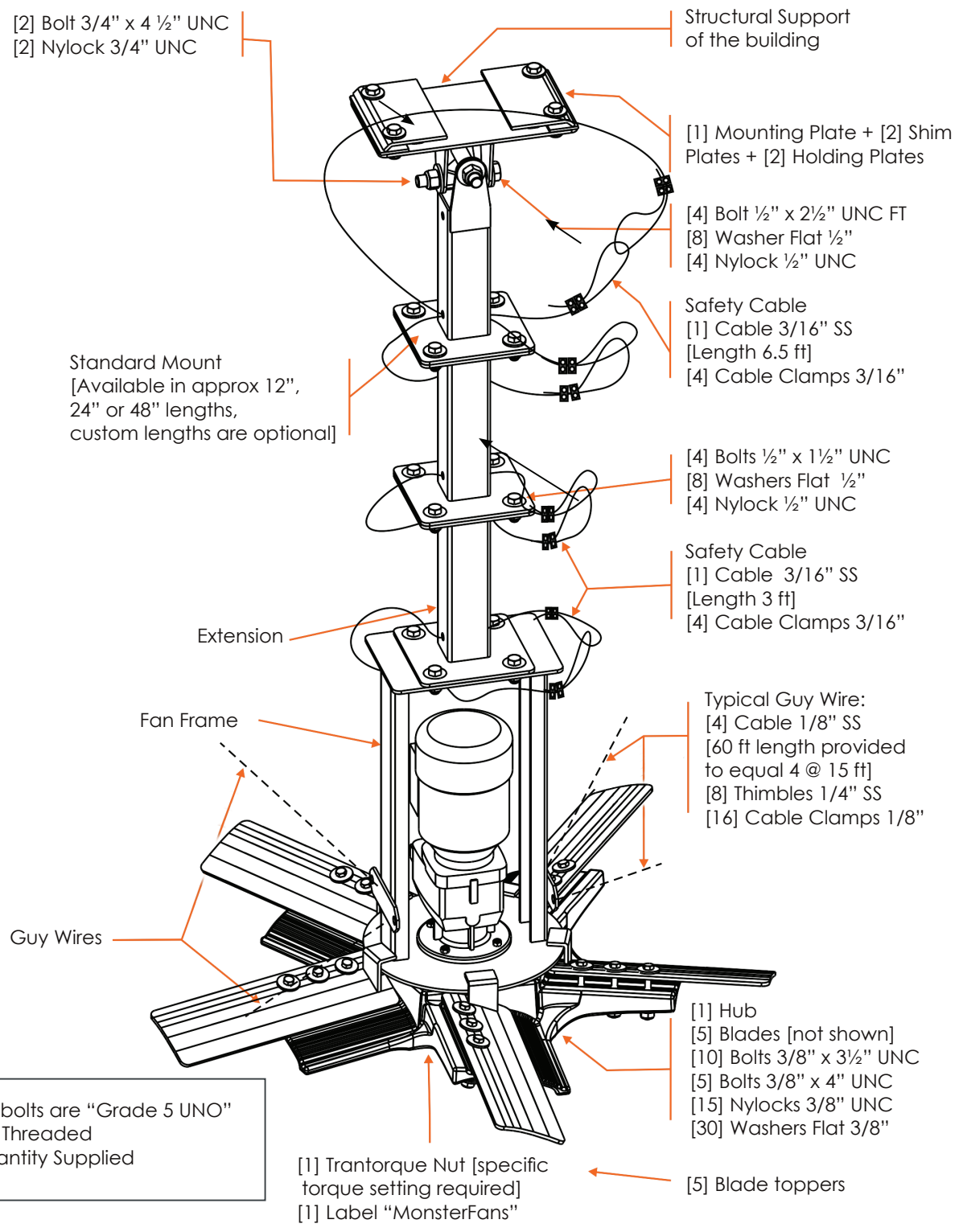


MonsterFans GD Series

Submittal Geared-Drive HVLS Fan



MonsterFans GD Series Fan Components Diagram



Note: All bolts are "Grade 5 UNO"
FT = Fully Threaded
[#] = Quantity Supplied

Control Options

MonsterFans Smart Control



- Automated Fan Control for Single or Multiple Fans
- Continually Measures Temperature and Humidity, Adjusting Fan Speed Accordingly
- Integrated Light Operation to Control On/Off
- Plug-and-Play Installation
- Monitor Performance of Motor and Drive

MonsterFans Touch Control



Touch Pad Control

- Single Point Fan Control
- Controls up to 65 Fans
- CAT-5 Daisy Chain Connections
- Intuitive Operation
- Individual and Group Controlling
- Remote Diagnostics
- Over 500m [1640'] of Wire Distance

MonsterFans Link Control



- Single Point Fan Control
- Controls up to 247 Fans
- Uses BACnet Signal
- Works in Conjunction with Building Automation Controls
- Individual Fan and Group Controlling

MonsterFans Simple Control

- One MonsterFans Simple Control Per Fan Required
- Provides Remote Operation for Fan Mounted VFD
- User Friendly, Simplified Installation and Operation

MonsterFans GD Series Fan Specifications

MODEL	8 ft [2.4 m]	12 ft [3.7 m]	16 ft [4.9 m]	20 ft [6.1 m]	24 ft [7.3 m]
Model #	MF-GD08-XX	MF-GD12-XX	MF-GD16-XX	MF-GD20-XX	MF-GD24-XX
Input power	208–240 VAC, 50/60 Hz, 1 Φ; 208–240 VAC/400–480 VAC/575–600 VAC, 50/60 Hz, 3 Φ				
Diameter	8 ft [2.4 m]	12 ft [3.7 m]	16 ft [4.9 m]	20 ft [6.1 m]	24 ft [7.3 m]
Weight	220 lbs [128.8 kgs]	245 lbs [111 kgs]	275 lbs [125 kgs]	320 lbs [145 kgs]	347 lbs [157 kgs]
Airflow	59,494 CFM	70,424 CFM	127,033 CFM	176,200 CFM	315,026 CFM
Max. velocity	386 ft/min	386 ft/min	550 ft/min	505 ft/min	497 ft/min
Max. rotational speed	105 RPM	105 RPM	80 RPM	63 RPM	53 RPM
Max. affected area	60 ft [18 m]	80 ft [24 m]	140 ft [43 m]	200 ft [61 m]	230 ft [70 m]
Power usage	782 W [3 amps at 230 V]	782 W [3 amps at 230 V]	939 W [3.6 amps at 230 V]	1460 W [5.6 amps at 230 V]	1486 W [5.7 amps at 230 V]
Motor power	1HP [0.75 kW]	1HP [0.75 kW]	1.5HP [1.1 kW]	2 HP [1.5 kW]	2 HP [1.5 kW]
Torque	39 ft-lbs [53 Nm]	39 ft-lbs [53 Nm]	104 ft-lbs [141 Nm]	160 ft-lbs [217 Nm]	248 ft-lbs [142 Nm]
Thrust	28 ft-lbs [125 Nm]	28 ft-lbs [125 Nm]	52 ft-lbs [231 Nm]	63 ft-lbs [280 Nm]	142 ft-lbs [632 Nm]
Noise level	62.5 dB	62.5 dB	62.7 dB	63.4 dB	63.4 dB
Motor	Helical Inline Reducer				
Hub	713 Cast Aluminum Alloy				
Max. ceiling slope	18.5°				
Blades	5 - 6063 Extruded Anodized Aluminum with High Impact Polystyrene blade end caps				
Airfoil clearance	1.5 ft [0.46 m] on sides 5 ft [1.5 m] below the ceiling				
Mounting	Versatile universal mounting system included with fan				
Safety components	<ul style="list-style-type: none"> • Safety cables - 3/16" Stainless Steel • Guy wires - 1/8" Stainless Steel • Safety clips - Zinc Plated Steel 				
Control	<ul style="list-style-type: none"> • Includes standard VFD with ON/OFF control switch • Optional controls include Smart fan control and/or Touch fan control • Building automation systems integrations 				
Warranty	<ul style="list-style-type: none"> • Lifetime warranty on blades, hub & mounting system • 5-year Limited Warranty 				
Certification	UL Standard, CSA Standard & CE				
Options	<ul style="list-style-type: none"> • Optional wind sensor • Optional mounting extension kits • Fire-relay 				

*Please see MonsterFans GD Series Installation Guide for more information regarding mounting hardware.

8 ft [2.4 m] MonsterFans GD Series Fan Spec Drawing

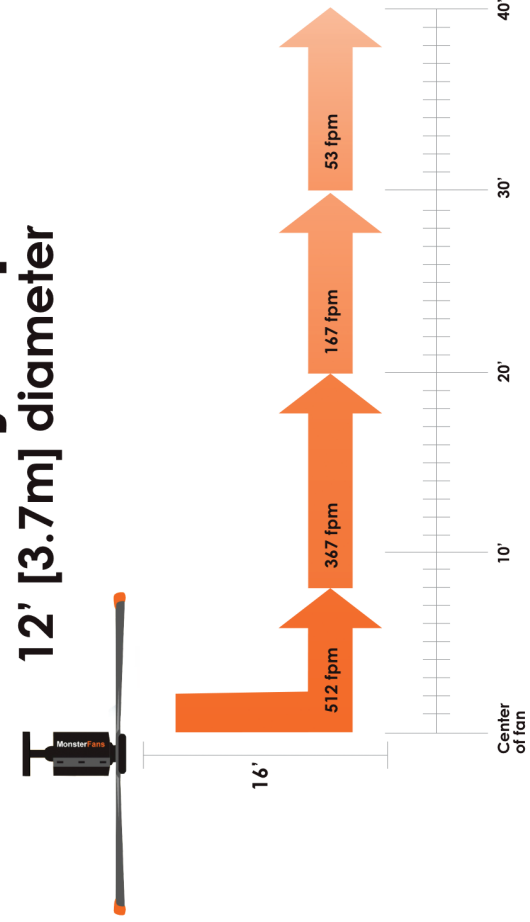
MATERIAL		DRAWING DATE:	Schwank	TITLE:	REV
FINISH		CHECKED BY:	MonsterFans GD Series		
VENDOR'S NUMBER:		CHECKED DATE:	Fan Assembly		
DO NOT SCALE DRAWING		MFG APPR.:	SIZE DWG. NO. A MF-GD08-XX		
PROPRIETARY AND CONFIDENTIAL		LAST SAVED DATE:	Monday, January 15, 2018 3:10:07 PM		
THE INFORMATION CONTAINED IN THIS DRAWING IS THE SOLE PROPERTY OF SCHWANK. ANY REPRODUCTION IN PART OR AS A WHOLE WITHOUT THE WRITTEN PERMISSION OF SCHWANK IS PROHIBITED. THE INFORMATION CONTAINED IN THIS DRAWING IS THE PROPERTY OF SCHWANK. SCHWANK SHOULD BE CONTACTED IMMEDIATELY FOR RESPONSE.		REVISIONS:	SCALE: 1:50 WEIGHT: SHEET 1 OF 1		

12 ft [3.7 m] MonsterFans GD Series Fan Spec Drawing

MATERIAL		DRAWN		DRAWING DATE:		Schwank
FINISH		G.A.		Checked By:		TITLE:
VENDOR'S NUMBER:		Last Revised Date:		Checked Date:		MonsterFans GD Series Fan Assembly
DO NOT SCALE DRAWING		ENG APPR. Date:		MFG APPR.		SIZE DWG. NO.:
PROPRIETARY AND CONFIDENTIAL		UNLESS OTHERWISE SPECIFIED: DIMENSIONS ARE IN INCHES. FRACTIONAL ± 1/16 0.1" BEND ± 0.3" TWO PLACE DECIMAL ± 0.048 THREE PLACE DECIMAL ± 0.030		Last Saved Date:	Monday, January 15, 2018 3:10:07 PM	REV
THE INFORMATION CONTAINED IN THIS DRAWING IS THE SOLE PROPERTY OF SCHWANK. ANY REPRODUCTION IN PART OR AS A WHOLE WITHOUT THE WRITTEN PERMISSION OF SCHWANK IS PROHIBITED. SHOULD THERE BE ANY DISCREPANCIES WITH THIS CONSTRUCTION DRAWING, SCHWANK SHOULD BE CONTACTED IMMEDIATELY FOR RESPONSE.		COMMENTS:		REVISIONS:		A MF-GD12-XX
		Notes: Contractor is responsible for verifying all dimensions to be installed in the field and for making any changes without notifying Schwank. The contractor is responsible for the same. All drawings are to be used as general architectural intent only unless otherwise stamped. See engineering notes for details. Contractor to ensure that all building departments and authorities are informed in regard to the work and that all permits are obtained before commencing the work.				SCALE: 1:50 WEIGHT: SHEET 1 OF 1



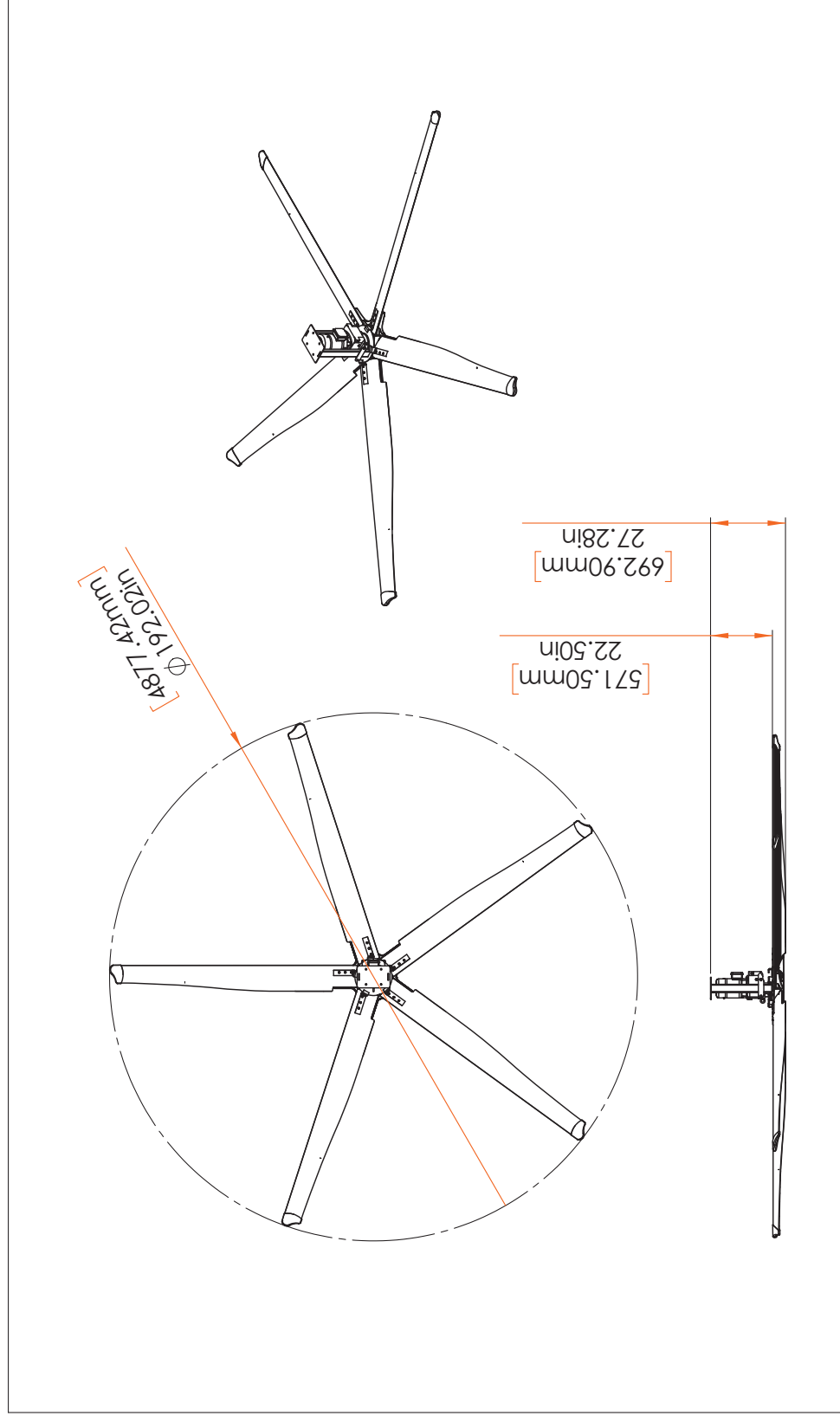
Velocity Map 12' [3.7m] diameter



Conditions:

Test results are based on a blade mounting height of 16' [4.9m] from the floor. Results were measured 1' [0.3m] off the floor. Average air speeds were utilized as actual air velocity from fan is gusting. Results will vary depending on testing conditions.

16 ft [4.9 m] MonsterFans GD Series Fan Spec Drawing

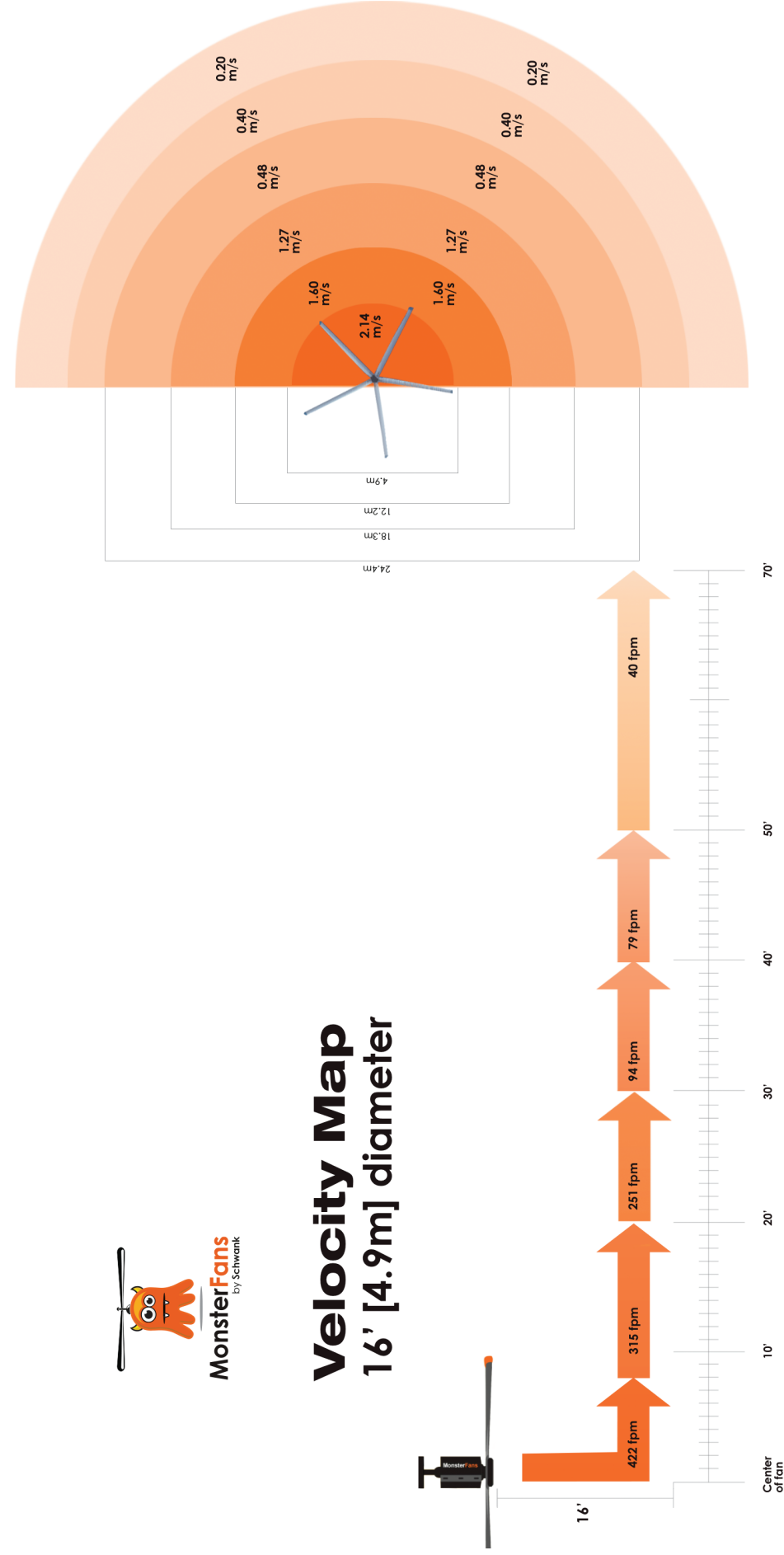


MATERIAL		DRAWN		Drawing Date:		Schwank
FINISH		Q.A.		Checked By:		TITLE:
VENDOR'S NUMBER:		ENG APPR.		Checked Date:		MonsterFans GD Series Fan Assembly
DO NOT SCALE DRAWING		ENG APPR. Date:		MFG APPR.		SIZE DWG. NO.
PROPRIETARY AND CONFIDENTIAL		UNLESS OTHERWISE SPECIFIED: DIMENSIONS ARE IN INCHES TOLERANCES: 1/16 ANGULAR: MACH ± 0.1° BEND ± 0.5° TWO PLACE DECIMAL ± 0.060 THREE PLACE DECIMAL ± 0.030		Last Saved Date: Monday, January 15, 2018 3:51:22 PM		REV
THE INFORMATION CONTAINED IN THIS DRAWING IS THE SOLE PROPERTY OF SCHWANK. ANY REPRODUCTION IN PART OR AS A WHOLE WITHOUT THE WRITTEN PERMISSION OF SCHWANK IS PROHIBITED. IF YOU ARE A SUBCONTRACTOR, YOU AGREE TO HOLD SCHWANK HARMLESS FOR ANY ERRORS, OMISSIONS, OR INADEQUACIES WITHIN THIS CONSTRUCTION DRAWING. SCHWANK SHOULD BE CONTACTED IMMEDIATELY FOR RESPONSE.		COMMENTS:		REVISIONS:		A
		Notes: Contractor is responsible for verifying all site conditions to include field observations where applicable. If the contractor elects to make any changes without notifying Schwank, the contractor is responsible for the same. All drawings are to be used as general architectural intent only unless otherwise stamped. See Engineering Department for details. Contractor to ensure that all building departments and authorities are informed in regard to the work and that all permits are obtained before commencing the work.				SCALE: 1:50 WEIGHT: SHEET 1 OF 1

5 4 3 2 1



Velocity Map 16' [4.9m] diameter

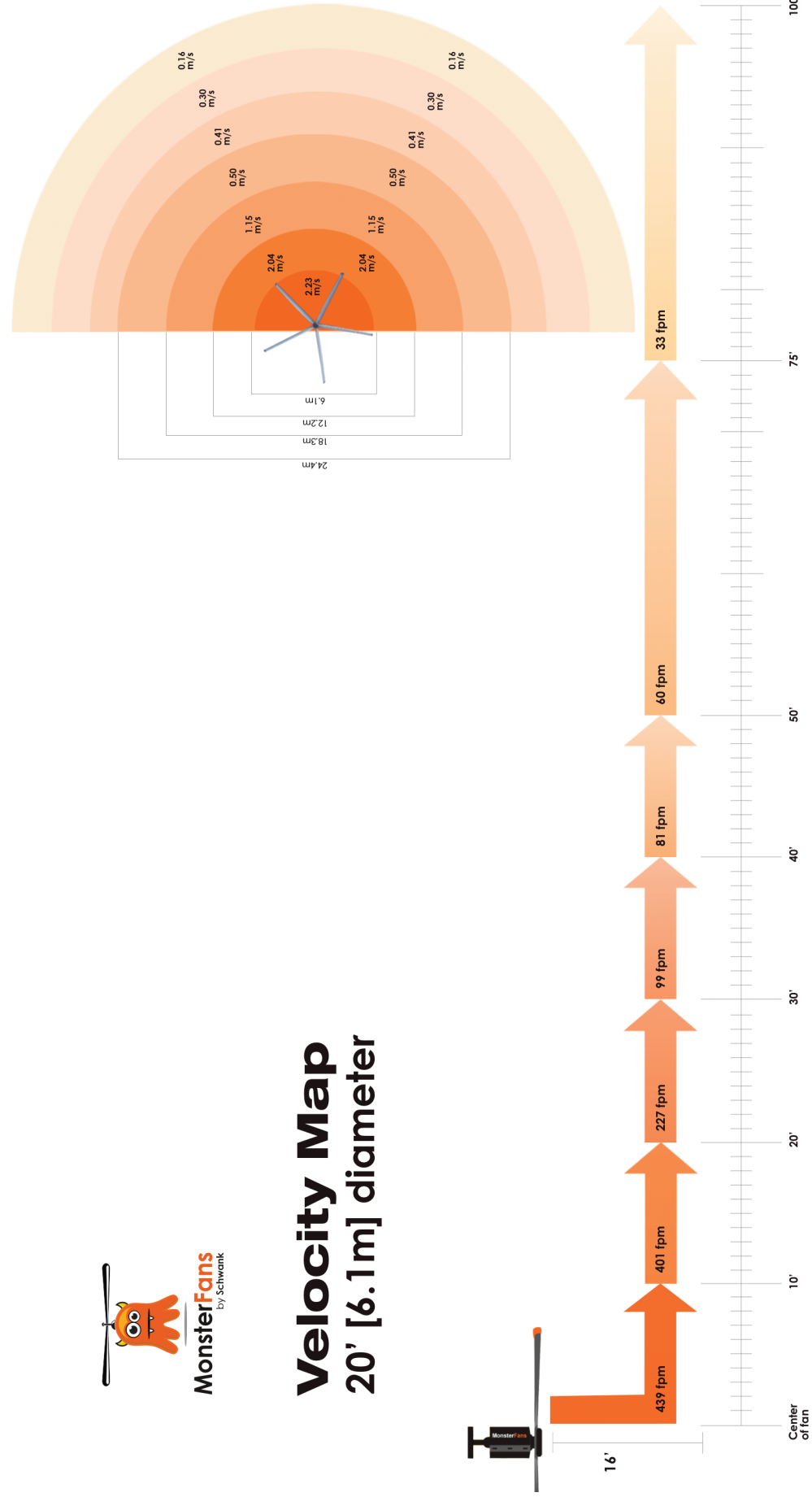


Conditions:

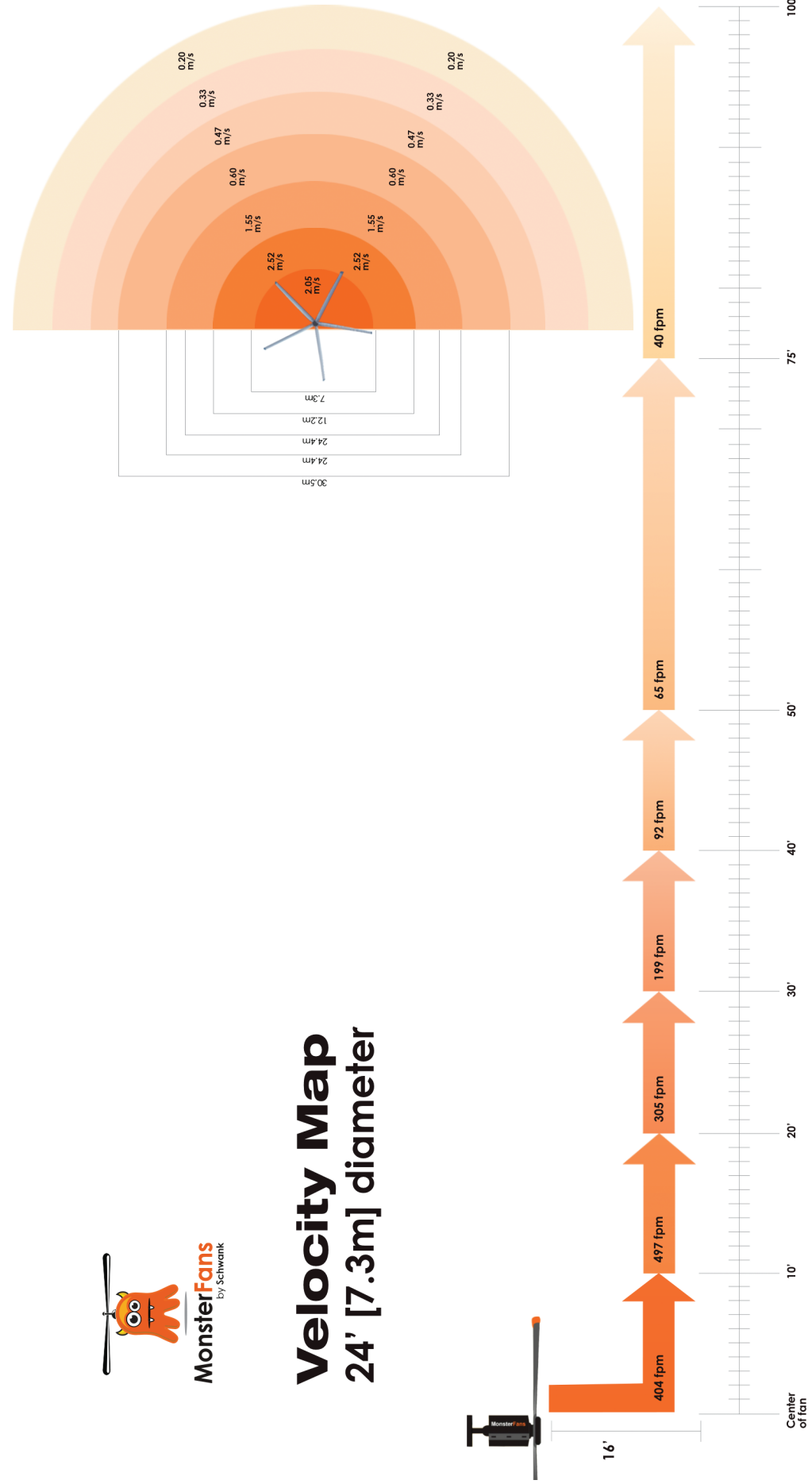
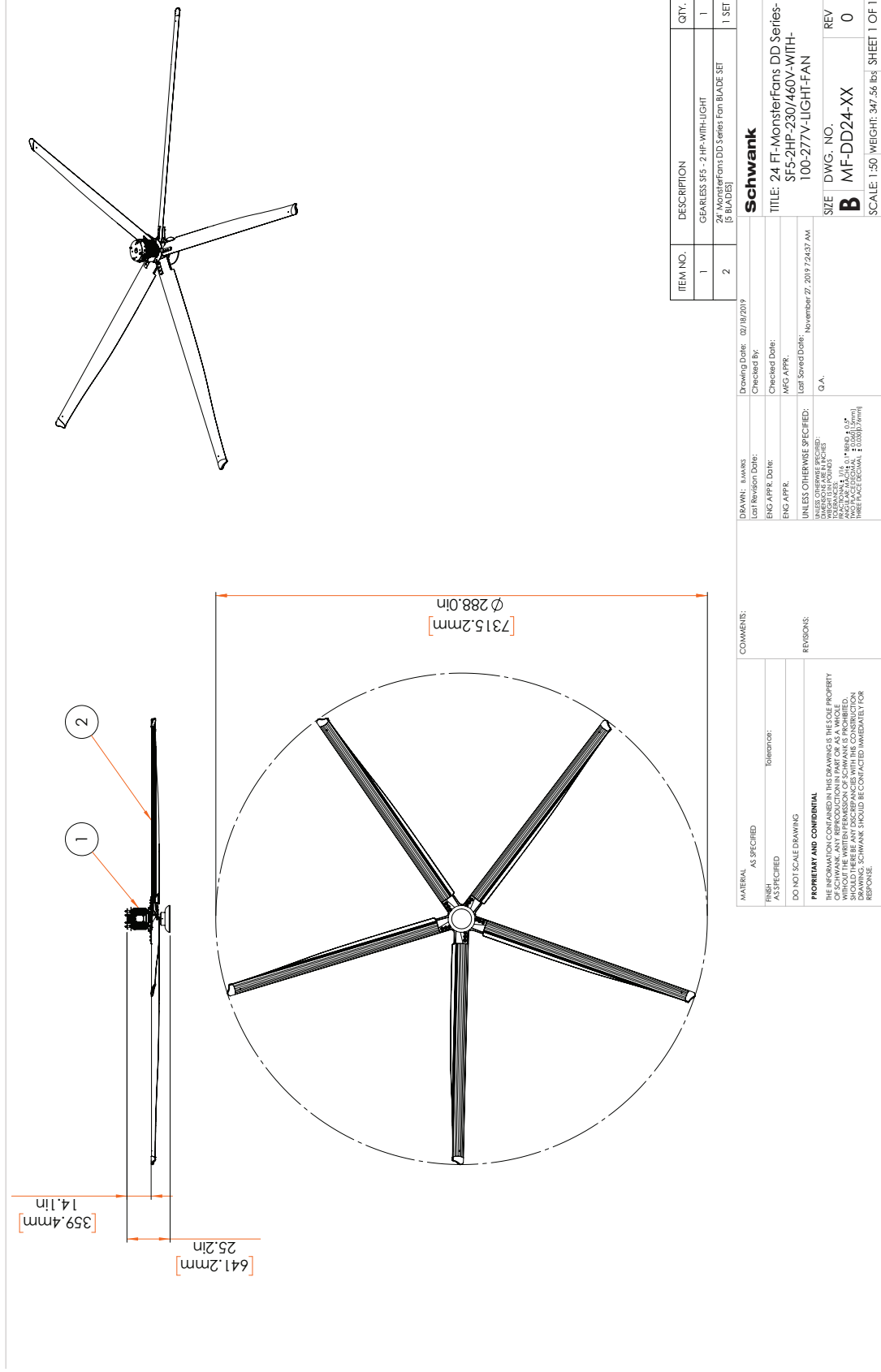
Test results are based on a blade mounting height of 16' [4.9m] from the floor. Results were measured 1' [0.3m] off the floor. Average air speeds were utilized as actual air velocity from fan is gusting. Results will vary depending on testing conditions.

20 ft [6.1 m] MonsterFans GD Series Fan Spec Drawing

MATERIAL	COMMENTS:	DRAWN	Drawing Date:	Schwank	
FINISH	Notes: Contractor is responsible for verifying all site conditions to include field dimensions where applicable. If the contractor elects to make any changes without notifying Schwank the contractor is responsible for the same. All drawings are to be used as general architectural intent only, unless otherwise noted. Contractor to provide information, drawings for structural design, information, departments and authorities are informed in regard to the work and that all permits are obtained before commencing the work.	Q.A. Last Revised Date:	Checked By:	TITLE: MonsterFans GD Series Fan Assembly	
VENDOR'S NUMBER:		ENG APPR.	Checked Date:	SIZE	DWG. NO.
DO NOT SCALE DRAWING		ENG APPR. Date:	MFG APPR.	A	MF-GD20-XX
PROPRIETARY AND CONFIDENTIAL		UNLESS OTHERWISE SPECIFIED: DIMENSIONS ARE IN INCHES. FRACTIONALS: 1/16, 0.1" BEND ± 0.5" TWO PLACE DECIMAL ± 0.060 THREE PLACE DECIMAL ± 0.030	Last Saved Date: Monday, January 15, 2018 3:33:02 PM	SCALE: 1:50	WEIGHT:
THE INFORMATION CONTAINED IN THIS DRAWING IS THE SOLE PROPERTY OF SCHWANK. ANY REPRODUCTION IN PART OR AS A WHOLE WITHOUT THE WRITTEN PERMISSION OF SCHWANK IS PROHIBITED. SHOULD THERE BE ANY DISCREPANCIES WITH THIS CONSTRUCTION DRAWING, SCHWANK SHOULD BE CONTACTED IMMEDIATELY FOR RESPONSE.			REVISIONS:	SHEET 1	OF 1



24 ft [7.3 m] MonsterFans GD Series Fan Spec Drawing



Velocity Map 24' [7.3m] diameter

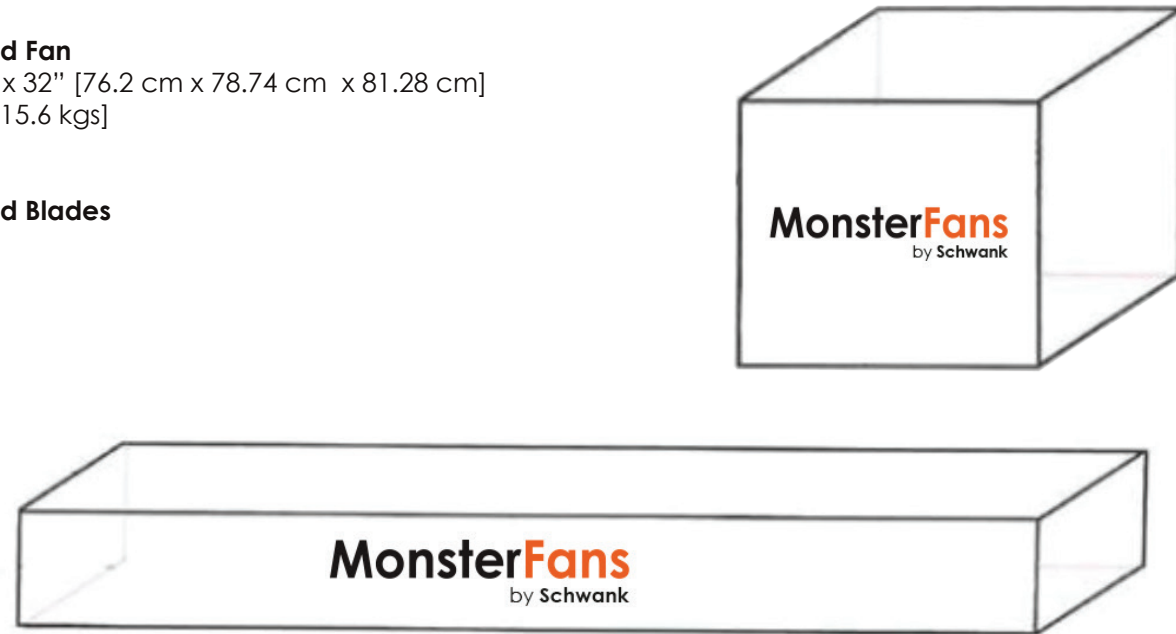
Conditions:

Test results are based on a blade mounting height of 16' [4.9m] from the floor. Results were measured 1' [0.3m] off the floor. Average air speeds were utilized as actual air velocity from fan is gusting. Results will vary depending on testing conditions.

MonsterFans GD Series Fan Packaging Details

Packaged Fan
30" x 31" x 32" [76.2 cm x 78.74 cm x 81.28 cm]
255 lbs [115.6 kgs]

Packaged Blades



Mounts & Extensions Packaging Details

These items can be placed inside the packaged fan when ordering with a fan.
[Excluding 4 ft [1.22 m] items] Please add the additional weight to the fan packages above.

1 ft [0.31 m] Packaged UMH Mount
9" x 9" x 15" [22.9 cm x 22.9 cm x 38.1 cm]
22 lbs [9.98 kgs]

2 ft [0.61 m] Packaged UMH Mount
9" x 9" x 28" [22.9 cm x 22.9 cm x 71.1 cm]
33 lbs [14.97 kgs]

4 ft [1.22 m] Packaged UMH Mount
9" x 9" x 51" [22.9 cm x 22.9 cm x 129.5 cm]
47 lbs [21.32 kgs]

2 ft [0.61 m] UMH Extension
9" x 9" x 28" [22.9 cm x 22.9 cm x 71.1 cm]
21 lbs [9.53 kgs]

4 ft [1.22 m] UMH Extension
9" x 9" x 49" [22.9 cm x 22.9 cm x 124.5 cm]
31 lbs [14.06 kgs]

1-877-446-3727 [toll-free]
1-706-554-6191

monsterfans@schwankgroup.com

USA

**2 Schwank Way,
Waynesboro, GA
30830**

Canada

**5285 Bradco Blvd.,
Mississauga, ON
L4W 2A6**

schwankgroup.com/monsterfans

