

Heat the fans in the stands, not the air around them

sportSchwank offers a level of warmth and comfort that has been well received by sports fans and outdoor venue attendees all over the world. By heating objects instead of the surrounding air your customers will stay warm throughout the year.

With the advanced technology of the **sportSchwank**, fans can be heated comfortably for less than 5 cents per fan per game.

Experience Counts: Schwank is the worldwide market leader and most trusted brand with over 2 million heating appliances sold.



Features

- Heats from as high as 180 feet above the seats
- Increase comfort by up to 15° to 20°F
- Optional energy management system with zone control
- Available for both natural gas and propane

Optional Accessories [See back for more details.](#)

- ThermoControl Plus
- TruTemp
- Lion Chain

“Schwank stadium heating has clearly exceeded our expectations. The warmth is well received by the VIPs, and they really appreciate comfort on cold days.”

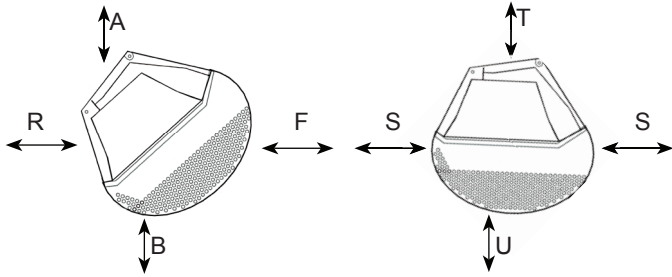
Graham Hughes
Technical Building Services Consultant, Chelsea Football Club

Contact us today for a FREE design and quote!

sportSchwank - Technical Specifications, Controls, & Accessories

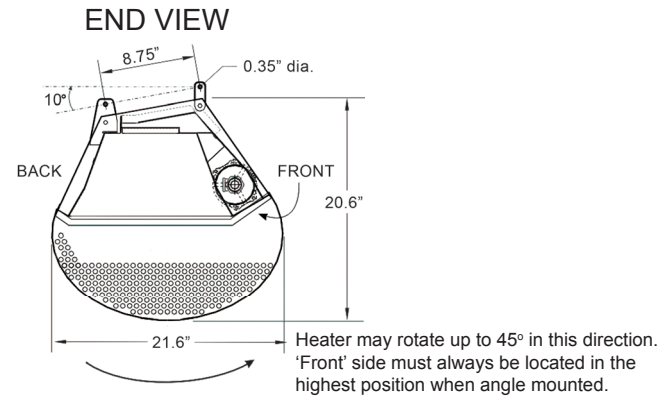
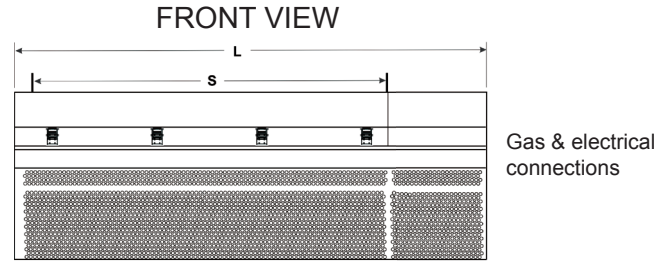
Information below is intended only as a reference and should not be used when installing equipment. Please ensure you locate the most recent instruction manual for accurate and up to date information.

Clearances to Combustibles



MODEL	SUSPENDED AT AN ANGLE UP TO 30°				SUSPENDED HORIZONTALLY		
	A	R	B	F	T	S	U
sportSchwank 10	24"	8"	66"	66"	18"	30"	90"
sportSchwank 15	24"	8"	66"	66"	18"	30"	96"
sportSchwank 20	24"	8"	70"	70"	18"	36"	100"
sportSchwank 30	24"	8"	74"	74"	18"	42"	105"

Dimensions and Specifications



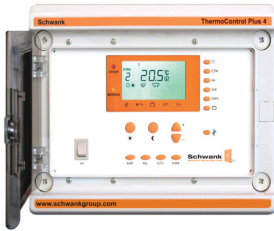
MODEL	DIMENSIONS		INPUT BTU/HR	WEIGHT LBS.	ELECT.
	L	S			
sportSchwank 10	35"	21.7"	33,500	50	24 VAC 60 Hz 0.55 A
sportSchwank 15	50"	32.6"	50,000	71	
sportSchwank 20	57"	43.5"	67,000	94	
sportSchwank 30	78.7"	65"	113,000	132	

Gas Supply: 1/2" NPT gas inlet pipe size	Natural Gas	Minimum Line Pressure	6" W.C.
		Maximum Line Pressure	14" W.C.
		Manifold Pressure	5" W.C.

Heater Controls & Thermostats

ThermoControl Plus

Intelligent Infrared Heater Control



- Easy to use menu and graphical interface
- Minimal set up and configuration
- Handles up to 8 control zones for single and two-stage applications
- 8 programmable holiday periods per heating zone
- Data acquisition software offers reporting and analysis capabilities

TruTemp

Infrared Setback Thermostat



- Setback reduces control temperature by 9°F [13°C] when a building is unoccupied
- Setback is activated at night time by turning off lights
- Mounts on standard 4" [10cm] electrical box or directly to wall
- Tamper-proof option

Optional Accessories

Flexible Gas Connector 1/2" x 24"	JL-0771-XX
#2 Lion Chain, roll 200'	JL-0800-XX
Safety Snap Hooks 2" - Package of 24	JL-0800-SH
Safety Snap Hooks 2" - Package of 100	JL-0800-SH-B

Consult your local authorized dealer for other Schwank accessories:

- Line-voltage and 24V thermostat and controls
- Side reflector extensions

Distributor Information:

Additional resources:



Instruction Manual



Technical Specs



BC Place Video

Our customers include:



USA: 2 Schwank Way, Waynesboro, GA 30830 | Canada: 5285 Bradco Blvd. Mississauga, ON L4W 2A6
Tel: 1-877-446-3727 | Fax: 1-866-361-0523 | www.schwankgroup.com | csr@schwankgroup.com



M082114 RL: v1.2 RD: Mar-2019