



Infrared heating with energy savings up to 65%

supraSchwank overhead luminous gas heaters can be mounted on ceilings up to 180 feet high and will still provide superior comfort and temperature levels for people below with up to 65% energy savings!

Perfect for industrial and commercial spaces and aircraft hangers, these radiant heaters have been awarded with the highest efficiency in North America. **supraSchwank** offers the highest conversion rate of any IR heater in the market at 81%*.

Experience Counts: Schwank is the worldwide market leader and most trusted brand with over 2 million heating appliances sold.

Features

- 81% radiant Efficiency*
- Patented Delta Mixing Chamber preheats gas/air combustion mixture for uniform and ultra efficient heat delivery to work level
- Fully insulated heater made of Feran to minimize convection heat losses
- Green technology: fuel costs and CO2 emissions reduced up to 65%*

Optional Accessories [See back for more details.](#)

- ThermoControl Plus
- TruTemp
- Lion Chain

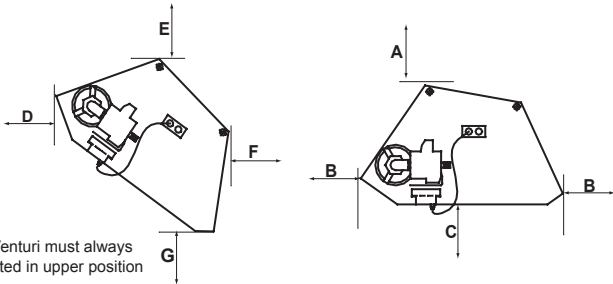
Contact us today for a FREE design and quote!

* verified by independent lab when tested to supraSchwank 30: ANSI Z83.6 standard (currently ANSI Z83.19b/CSA 2.35b) and by DVGW when tested to EN 419-2 standard

supraSchwank - Technical Specifications, Controls, & Accessories

Information below is intended only as a reference and should not be used when installing equipment. Please ensure you locate the most recent instruction manual for accurate and up to date information.

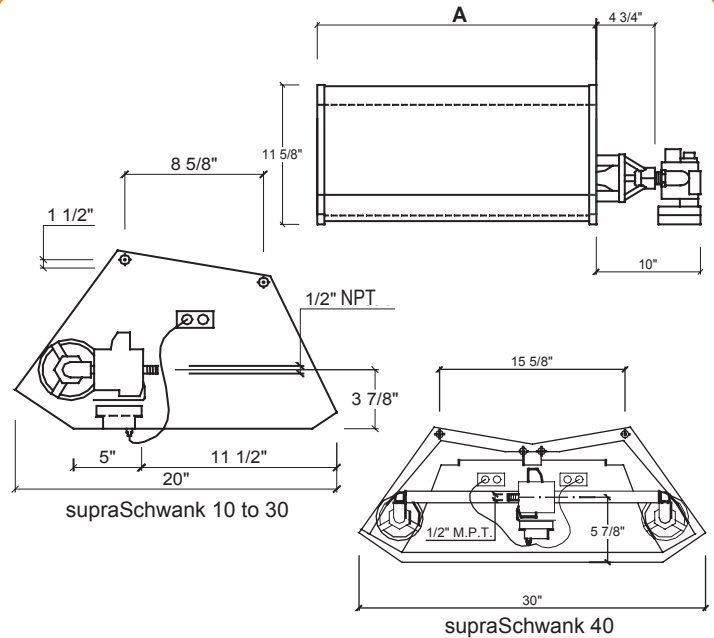
Clearances to Combustibles



Note: Venturi must always be located in upper position

MODEL	SUSPENDED AT AN ANGLE UP TO 30°				SUSPENDED HORIZONTALLY		
	F	G	E	D	A	B	C
supraSchwank 10	8"	66"	24"	66"	16"	30"	90"
supraSchwank 15	8"	66"	24"	66"	16"	30"	96"
supraSchwank 20	8"	69"	24"	69"	16"	33"	100"
supraSchwank 30	8"	72"	24"	72"	16"	36"	105"
supraSchwank 40	8"	36"	48"	78"	20"	40"	110"

Dimensions and Specifications



MODEL	INPUT	OUTPUT	DIM. A	WEIGHT LBS.	MIN MOUNTING HEIGHT
	BTU/hr	IR BTU/hr			
supraSchwank 10	29,500	22,800	23.87"	37	15'
supraSchwank 15	44,000	34,600	34.60"	53	18'
supraSchwank 20	59,000	46,700	45.75"	62	20'
supraSchwank 30	88,500	71,800	67.50"	82	24'
supraSchwank 40	118,000	95,800	45.75"	120	28-34'

Gas Pressure	Minimum Line Pressure	6" W.C. NG	11" W.C. LP
	Maximum Line Pressure	14" W.C. NG	14" W.C. LP
Gas Inlet	Manifold Line Pressure	5" W.C. NG	10" W.C. LP
Electrical	1/2"	24 VAC, 60 Hz, 0.55 AMPS	

Heater Controls & Thermostats

ThermoControl Plus

Intelligent Infrared Heater Control



- Easy to use menu and graphical interface
- Minimal set up and configuration
- Handles up to 8 control zones for single and two-stage applications
- 8 programmable holiday periods per heating zone
- Data acquisition software offers reporting and analysis capabilities

TruTemp

Infrared Setback Thermostat



- Setback reduces control temperature by 9°F [13°C] when a building is unoccupied
- Setback is activated at night time by turning off lights
- Mounts on standard 4" [10cm] electrical box or directly to wall
- Tamper-proof option

Optional Accessories

Flexible Gas Connector 1/2" x 24"	JL-0771-XX
#2 Lion Chain, roll 200'	JL-0800-XX
Safety Snap Hooks 2" - Package of 24	JL-0800-SH
Safety Snap Hooks 2" - Package of 100	JL-0800-SH-B

Consult your local authorized dealer for other Schwank accessories:

- Line-voltage and 24V thermostat and controls
- Side reflector extensions

Distributor Information:



Installation Manual



Technical Specs



BC Place Video

Our customers include:

